



SGARIA.

Trustable for life



SB, SBL WATER PUMPS



COMPANY PROFILE



The Sgaria

In addition to the best products, we work objectively and efficiently, with integrity and a sense of urgency to generate the best services.

Check out some of the pillars of our company:

Customer Focus: Our customers are the reason for our existence. We are committed to meeting your demands on site and time required;

Safety: We are strict in meeting our standards, valuing the safety of our customers and contributors;

Quality Results: We seek to maximize results by valuing quality in every detail of our operation;

Teamwork: Together we achieve our goals, acting in a shared way will more easily achieve achievements and good results, sharing achievements and results.

Certificates

By bringing together technical force with design and experience, Sgaria has all the documentation necessary to deliver a certified quality product.





Sgaria Hong Kong

Address:

10 / F, Pilkem Commercial Center, 8
Pilkem Street, Jordan, Kowloon, Hong Kong
VAT CODE: 2288999



Sgaria EUA

Address:

175 SW 7th Street - Unit#1515
Miami - FL 33130
Phone: +1 786 773 4767
VAT CODE: 83-1661307



Sgaria China

Address:

Business Center in Mirae Asset Tower, 166
LujiAzui Ring Road 20Floor
Phone: +852 (3) 6789958
VAT CODE: 91310115MA1K4CN75C



Sgaria Brasil

Address:

VIÓRIA- ES
e-mail: comercial.ind@sgaria.com
Telefone: +55 27 2142-5884
CNPJ: 28.446.398/0001-03





■ 产品概述

General description

SB, SBL型单级单吸离心泵是我公司结构新颖、技术先进的新型节能专利产品。在连接部分、传动部分、密封部分等进行了大胆的突破设计,具有性能参数范围广、维修方便、效率高、噪音低、寿命长等优点,符合国家最新标准JB/T53058要求。

在SB, SBL型清水离心泵的基础上派生的SBR, SBLR型热水离心泵, SBH, SBLH型化工离心泵, SBY, SBLY离心油泵, 可以满足不同应用领域。

Type SB, SBL single suction maintenance-free centrifugal pump is new energy saving product which has unique structure and advanced technology. It has advantage of widely performance, convenient maintenance, high efficiency, low noise, long lifetime and so on, which is according with JB/T53058.

There are several derivatives from SB and SBL to meet different application. They are SBR, SBLR hot water centrifugal pumps, SBH, SBLH chemical centrifugal pump, and SBY, SBLY centrifugal oil pumps.

■ 突出特点

Feature

- 1、引进技术,高效节能,寿命长,可靠性高。
 - 2、著名机械密封和轴承,长时间无泄漏,运行可靠。
 - 3、完善的动力平衡手段,合理的轴承支撑系统,运行平稳,振动和噪音更低。
 - 4、独特的结构设计,减小占地空间,节约投资40%。
 - 5、立卧两种结构,更加方便不同场合安装。
1. International technology, high efficiency and energy saving, long service time and nice reliability.
 2. Famous mechanical seal and bearing, long time running without leakage, reliable operation.
 3. Perfect balance, reasonable bearing support, smooth operation, less vibration and low noise.
 4. Unique design to save 40% land occupation.
 5. Vertical and horizontal structure can meet different installations.

■ 主要零件材料

Materials of main parts

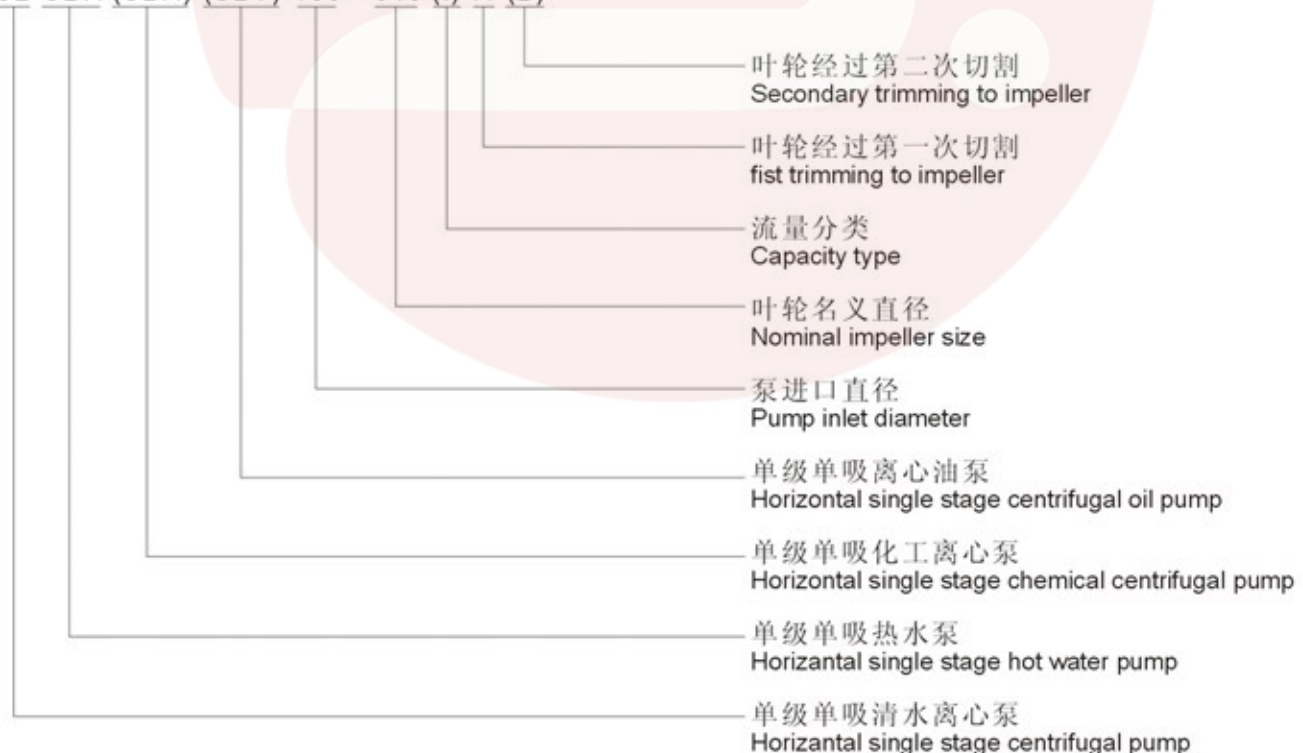
- 1、壳体: 铸铁, 球墨铸铁, 铸钢, 不锈钢。
- 2、叶轮: 铸铁, 球墨铸铁, 铸钢, 铜合金, 不锈钢。
- 3、轴, 45#钢, 不锈钢

1. Casing: Cast iron, ductile cast iron, cast steel, stainless steel.
2. Impeller: Cast iron, ductile cast iron, cast steel, bronze alloy, stainless steel.
3. Shaft: ASTM1045 carbon steel, stainless steel.

■ 型号意义

Model Explanation

SB SBR (SBH) (SBY) 150 - 315 (I) A (B)



(说明: 立式结构加L标识。For the vertical structure, "L" is used to identify it.)

■ 工作条件

Working Conditions

- 流 量: 最大2850m³/h
扬 程: 最高162m
介质温度: -10℃ - 120℃
环境温度: 最高40℃
转 速: 2950r/min; 1450r/min; 980 r/min
旋转方向: 从电机方向看, 顺时针方向旋转

Capacity : maximum 2850m³/h

Head : maximum 162m

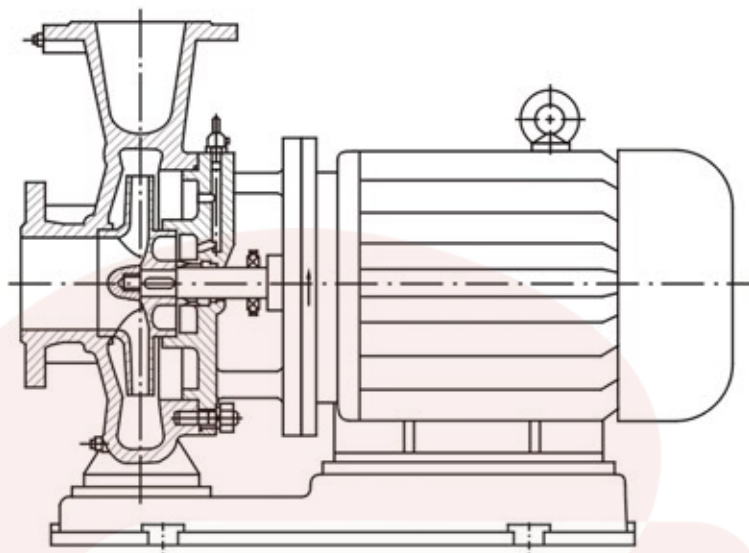
Medium temperature : -10℃ - 120℃

Ambient temperature : maximum 40℃

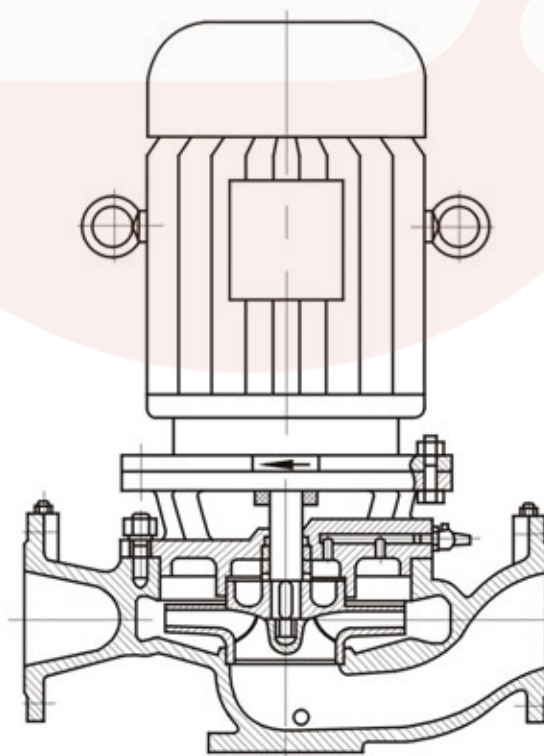
Speed : 2950r/min ; 1450r/min ; 980 r/min

Rotation : clockwise when look from the motor

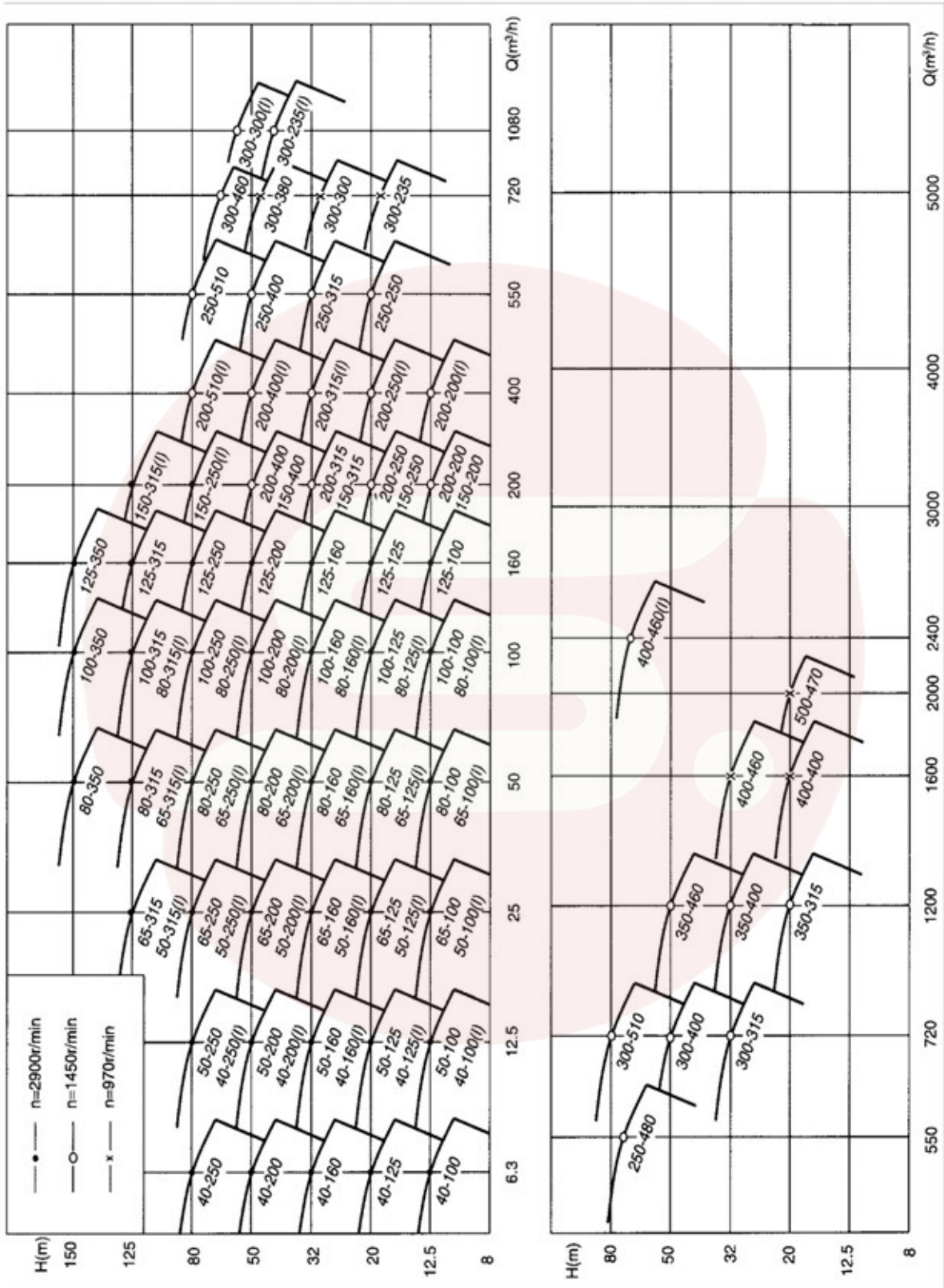
■ 卧式泵结构图 Horizontal structure



■ 立式泵结构图 Vertical structure



■ 型谱图 Selection charts



性能参数 Parameters

| 型号 Type | 流量 Capacity | | 扬程 Head m | 效率 Eff. % | 转速 Speed r/min | 电机功率 Motor power kW | 必需汽蚀余量 NPSHr m | 重量 W.T kg | 型号 Type | 流量 Capacity | | 扬程 Head m | 效率 Eff. % | 转速 Speed r/min | 电机功率 Motor power kW | 必需汽蚀余量 NPSHr m | 重量 W.T kg |
|------------|----------------------|----------------------|----------------------|------------------|----------------------|---------------------------|----------------------|-----------------|------------|----------------------|----------------------|---------------------|-----------------|----------------------|---------------------------|----------------------|-----------------|
| | m³/h | L/S | | | | | | | | m³/h | L/S | | | | | | |
| 40-100 | 8.44 3.04 | 1.22 1.75 2.31 | 13.2 13.5 11.3 | 48 54 53 | 2900 | 0.55 | 2.0 | 42 | 50-160(I) | 17.5 25 32.5 | 4.86 6.94 9.03 | 35 35 30 | 57 58 67 | 2900 | 4.0 | 2.0 | 87 |
| 40-100A | 4.04 4.04 | 1.08 1.56 2.06 | 10.6 10 9 | 45 52 51 | 2900 | 0.37 | 2.0 | 41 | 50-160(I)A | 16.4 23.4 30.4 | 4.56 6.55 8.47 | 30.7 28 26.3 | 54 55 56 | 2900 | 4.0 | 2.0 | 87 |
| 40-125 | 8.44 3.04 | 1.22 1.75 2.31 | 21 20 18 | 41 47 44 | 2900 | 1.1 | 2.0 | 44 | 50-160(I)B | 15.2 21.8 28.3 | 4.22 6.03 7.86 | 26.3 24 22.5 | 51 53 52 | 2900 | 3.0 | 2.0 | 75 |
| 40-125A | 4.04 4.04 | 1.08 1.56 2.06 | 17.6 16 14.4 | 40 45 41 | 2900 | 0.75 | 2.0 | 43 | 50-200(I) | 17.5 25 32.5 | 4.86 6.94 9.03 | 53 50 47 | 50 50 50 | 2900 | 7.5 | 2.0 | 123 |
| 40-160 | 8.44 3.04 | 1.22 1.75 2.31 | 33 32 30 | 37 42 42 | 2900 | 2.2 | 2.0 | 58 | 50-200(I)A | 16.4 23.4 30.4 | 4.56 6.55 8.47 | 46.7 44 41 | 48 48 48 | 2900 | 5.5 | 2.0 | 123 |
| 40-160A | 4.04 4.04 | 1.14 1.64 2.17 | 29 28 26.3 | 36 41 41 | 2900 | 1.5 | 2.0 | 55 | 50-250(I) | 17.5 25 32.5 | 4.86 6.94 9.03 | 82 80 78 | 36 36 34 | 2900 | 15 | 2.0 | 195 |
| 40-160B | 4.04 4.04 | 1.08 1.53 2.0 | 25.5 24 22.5 | 36 40 40 | 2900 | 1.1 | 2.0 | 48 | 50-250(I)A | 16.4 23.4 30.4 | 4.56 6.55 8.47 | 71.7 70 68 | 37 37 37 | 2900 | 11 | 2.0 | 182 |
| 40-200 | 8.44 3.04 | 1.22 1.75 2.31 | 51 50 48 | 32 38 38 | 2900 | 4.0 | 2.0 | 85 | 50-250(I)B | 15 21.6 28 | 4.17 6.0 7.78 | 61 60 58 | 37 37 34 | 2900 | 11 | 2.0 | 182 |
| 40-200A | 4.04 4.04 | 1.14 1.64 2.17 | 45 44 42 | 27 32 31 | 2900 | 3.0 | 2.0 | 72 | 50-315(I) | 17.5 25 32.5 | 4.86 6.94 9.03 | 127 125 123 | 33 33 33 | 2900 | 30 | 2.5 | 330 |
| 40-200B | 4.04 4.04 | 1.08 1.53 2.0 | 38 36 34.5 | 27 30 30 | 2900 | 2.2 | 2.0 | 62 | 50-315(I)A | 16.4 23.4 31 | 4.56 6.55 8.6 | 116 114 112 | 31 31 31 | 2900 | 22 | 2.5 | 270 |
| 40-250 | 8.44 3.04 | 1.22 1.75 2.31 | 82 80 74 | 25 30 30 | 2900 | 7.5 | 2.0 | 116 | 50-315(I)B | 15.7 22.3 29.2 | 4.36 6.25 8.0 | 104.7 103 101 | 30 30 30 | 2900 | 18.5 | 2.5 | 220 |
| 40-250A | 4.04 4.04 | 1.14 1.64 2.17 | 72 70 65 | 24 28 27 | 2900 | 5.5 | 2.0 | 110 | 65-100 | 17.5 25 32.5 | 4.86 6.94 9.03 | 13.7 13 10.5 | 67 67 69 | 2900 | 1.5 | 2.5 | 55 |
| 40-250B | 4.04 4.04 | 1.08 1.53 2.0 | 61.5 60 58 | 23 27 26 | 2900 | 4.0 | 2.0 | 88 | 65-100A | 15.6 22.3 29 | 4.3 6.2 8.1 | 11 10 8.4 | 65 67 68 | 2900 | 1.1 | 2.5 | 50 |
| 50-100 | 18 6.3 | 2.44 3.47 4.53 | 13.6 12.5 11.3 | 57 62 61 | 2900 | 1.1 | 2.0 | 46 | 65-125 | 17.5 25 32.5 | 4.86 6.94 9.03 | 22 20 18.5 | 67 72 70 | 2900 | 3.0 | 2.5 | 70 |
| 50-100A | 8 11 14 | 2.22 3.05 4.03 | 11 10 9 | 58 62 60 | 2900 | 0.75 | 2.0 | 46 | 65-125A | 17.6 22.3 29 | 4.33 6.19 8.1 | 17.6 16 14.9 | 58 59 57 | 2900 | 2.2 | 2.5 | 60 |
| 50-125 | 18 6.3 | 2.44 3.47 4.53 | 22 20 18.5 | 58 62 62 | 2900 | 1.5 | 2.0 | 55 | 65-160 | 17.5 25 32.5 | 4.86 6.94 9.03 | 35 32 30 | 59 70 69 | 2900 | 4.0 | 2.0 | 90 |
| 50-125A | 8 11 14 | 2.22 3.05 4.03 | 17.6 16 14.9 | 47 61 60 | 2900 | 1.1 | 2.0 | 50 | 65-160A | 16.4 23.4 30.4 | 4.56 6.55 8.44 | 30.7 28 26.3 | 57 58 57 | 2900 | 4.0 | 2.0 | 90 |
| 50-160 | 18 6.3 | 2.44 3.47 4.53 | 33.5 32 29.6 | 46 52 57 | 2900 | 3.0 | 2.0 | 73 | 65-160B | 15.2 21.8 28.3 | 4.22 6.03 7.86 | 26.3 24 22.5 | 54 55 55 | 2900 | 3.0 | 2.0 | 76 |
| 50-160A | 8 11 14 | 2.22 3.05 4.03 | 29 28 26 | 43 53 53 | 2900 | 2.2 | 2.0 | 65 | 65-200 | 17.5 25 32.5 | 4.86 6.94 9.03 | 53 50 47 | 51 53 52 | 2900 | 7.5 | 2.0 | 123 |
| 50-160B | 7.3 13.4 | 2.03 2.89 3.75 | 25.8 24 22.3 | 42 47 44 | 2900 | 1.5 | 2.0 | 60 | 65-200A | 16.4 23.4 30.4 | 4.56 6.55 8.47 | 46.7 44 41 | 50 50 50 | 2900 | 5.5 | 2.0 | 123 |
| 50-200 | 18 6.3 | 2.44 3.47 4.53 | 52.5 50 48 | 41 50 53 | 2900 | 5.5 | 2.0 | 117 | 65-200B | 15 21.6 28 | 4.17 6.1 7.78 | 41 38 36 | 48 48 48 | 2900 | 5.5 | 2.0 | 113 |
| 50-200A | 8 11 14 | 2.22 3.05 4.03 | 46.1 44 42.1 | 39 50 51 | 2900 | 4.0 | 2.0 | 95 | 65-250 | 17.5 25 32.5 | 4.86 6.94 9.03 | 82 80 78 | 36 34 34 | 2900 | 15 | 2.0 | 201 |
| 50-200B | 7.3 13.4 | 2.03 2.89 3.75 | 40 38 36.5 | 38 46 50 | 2900 | 3.0 | 2.0 | 85 | 65-250A | 16.4 23.4 30.4 | 4.56 6.55 8.47 | 71.7 70 68 | 37 37 37 | 2900 | 11 | 2.0 | 191 |
| 50-250 | 18 6.3 | 2.44 3.47 4.53 | 82 80 78.5 | 31 40 43 | 2900 | 11 | 2.0 | 180 | 65-250B | 15 21.6 28 | 4.17 6.1 7.78 | 61 60 58 | 37 37 34 | 2900 | 11 | 2.0 | 191 |
| 50-250A | 8 11 14 | 2.22 3.05 4.03 | 71.8 70 68.8 | 29 38 41 | 2900 | 7.5 | 2.0 | 135 | 65-315 | 17.5 25 32.5 | 4.86 6.94 9.03 | 127 125 123 | 33 33 33 | 2900 | 30 | 2.5 | 345 |
| 50-250B | 7.3 13.4 | 2.03 2.89 3.75 | 61.5 60 58.9 | 27.5 37 40 | 2900 | 7.5 | 2.0 | 135 | 65-315A | 16.4 23.4 31 | 4.56 6.55 8.6 | 116 114 112 | 31 31 31 | 2900 | 22 | 2.5 | 280 |
| 50-100(I) | 17.5 25 32.5 | 4.86 6.94 9.03 | 13.7 13.5 10.5 | 67 69 69 | 2900 | 1.5 | 2.5 | 50 | 65-315B | 15.7 22.3 29.2 | 4.36 6.25 8.0 | 104.7 103 100 | 30 30 30 | 2900 | 18.5 | 2.5 | 250 |
| 50-100(I)A | 15.2 21.8 28.3 | 4.3 6.2 8.1 | 11 10 8.4 | 65 67 68 | 2900 | 1.1 | 2.5 | 45 | 65-315C | 14.0 20.6 26.8 | 4.0 5.72 7.44 | 86 85 83 | 30 36 42 | 2900 | 15 | 2.5 | 230 |
| 50-125(I) | 17.5 25 32.5 | 4.86 6.94 9.03 | 22 20 18.5 | 67 72 70 | 2900 | 3.0 | 2.5 | 65 | 65-100(I) | 35 50 65 | 9.72 13.6 18.1 | 13.8 12.5 10 | 69 77 73 | 2900 | 3.0 | 2.5 | 78 |
| 50-125(I)A | 15.6 22.3 29 | 4.33 6.19 8.1 | 17.6 16 14.9 | 58 66 67 | 2900 | 2.2 | 2.5 | 58 | 65-100(I)A | 31.3 44.7 58 | 8.7 12.4 16.1 | 11 10 8 | 67 75 71 | 2900 | 2.2 | 2.5 | 68 |

性能参数 Parameters

| 型号 Type | 流量 Capacity | | 扬程 Head m | 效率 Eff. % | 转速 Speed r/min | 电机功率 Motor power kW | 必需汽量 NPSHr m | 重量 W.T kg | 型号 Type | 流量 Capacity | | 扬程 Head m | 效率 Eff. % | 转速 Speed r/min | 电机功率 Motor power kW | 必需汽量 NPSHr m | 重量 W.T kg |
|------------|----------------------|----------------------|---------------------|-----------------|----------------------|---------------------------|--------------------|-----------------|------------|-----------------------|----------------------|-----------------------|-----------------|----------------------|---------------------------|--------------------|-----------------|
| | m ³ /h | L/S | | | | | | | | m ³ /h | L/S | | | | | | |
| 65-125(I) | 31.3 44.5 58 | 9.72 13.9 18.1 | 22 30 37 | 67 78 77 | 2900 | 5.5 | 2.5 | 115 | 80-315B | 31 44.5 58 | 8.6 12.4 18.1 | 105.5 103 101.4 | 43 54 57 | 2900 | 30 | 2.5 | 370 |
| 65-125(I)A | 31.3 44.5 58 | 9.1 13 16.9 | 18.5 16 13.6 | 64 75 74 | 2900 | 4.0 | 2.5 | 94 | 80-315C | 29 41 53.6 | 8.1 11.4 14.9 | 94 92 90.4 | 42 53 55 | 2900 | 22 | 2.5 | 300 |
| 65-160(I) | 32.7 46.7 61 | 9.72 13.9 18.1 | 36 35 28 | 63 76 73 | 2900 | 7.5 | 2.5 | 119 | 80-350 | 35 50 65 | 9.72 13.9 18.1 | 157.5 150 142.5 | 49 58 59 | 2900 | 55 | 2.5 | 650 |
| 65-160(I)A | 32.7 46.7 61 | 9.1 13.0 16.9 | 31.5 28 24.5 | 61 73 71 | 2900 | 7.5 | 2.5 | 119 | 80-350A | 32.5 46.5 60.5 | 9.0 12.9 18.8 | 147 138.5 132 | 48 53 56 | 2900 | 45 | 2.5 | 514 |
| 65-160(I)B | 30.3 43.3 56.3 | 8.4 12.0 15.8 | 27 24 21.8 | 60 72 71 | 2900 | 5.5 | 2.5 | 113 | 80-350B | 31 44.5 58 | 8.6 12.4 18.1 | 140 133 128 | 48 53 54 | 2900 | 37 | 2.5 | 490 |
| 65-200(I) | 32.5 46.5 60.5 | 9.72 13.9 18.1 | 53 50 47 | 53 72 73 | 2900 | 15 | 2.5 | 195 | 80-100(I) | 70 100 130 | 19.4 27.8 36.1 | 13.6 12.5 11 | 68 79 77 | 2900 | 5.5 | 4.5 | 128 |
| 65-200(I)A | 32.5 46.5 60.5 | 9.1 13.1 16.9 | 47 44 40 | 55 70 71 | 2900 | 11 | 2.5 | 135 | 80-100(I)A | 62.6 89 116 | 17.4 24.7 32.2 | 11 10 9 | 67 78 76 | 2900 | 4.0 | 4.5 | 109 |
| 65-200(I)B | 30.5 43.5 56.5 | 8.5 12.1 15.7 | 40.6 38 33.4 | 53 68 70 | 2900 | 7.5 | 2.5 | 135 | 80-125(I) | 70 100 130 | 19.4 27.8 36.1 | 24 20 16.5 | 69 80 76 | 2900 | 11 | 4.5 | 191 |
| 65-250(I) | 32.5 46.5 60.5 | 9.72 13.9 18.1 | 83 80 75 | 54 66 69 | 2900 | 22 | 2.5 | 265 | 80-125(I)A | 62.6 89 116 | 17.4 24.7 32.2 | 19.2 18.4 13.2 | 67 78 75 | 2900 | 7.5 | 4.5 | 161 |
| 65-250(I)A | 32.5 46.5 60.5 | 9.0 13.0 16.9 | 76.3 70 65.7 | 53 64 67 | 2900 | 18.5 | 2.5 | 235 | 80-160(I) | 70 100 130 | 19.4 27.8 36.1 | 36 32 28 | 71 79 75 | 2900 | 15 | 4.0 | 215 |
| 65-250(I)B | 30.3 43.3 56.3 | 8.3 12.0 15.8 | 63 60 56.2 | 51 62 65 | 2900 | 15 | 2.5 | 210 | 80-160(I)A | 65.4 93.5 121.6 | 18.2 26 33.8 | 31.5 28 24.5 | 70 78 76 | 2900 | 11 | 4.0 | 205 |
| 65-315(I) | 32.5 46.5 60.5 | 9.72 13.9 18.1 | 128 125 123 | 46 57 59 | 2900 | 37 | 2.5 | 380 | 80-200(I) | 70 100 130 | 19.4 27.8 36.1 | 54 50 42 | 67 78 79 | 2900 | 22 | 3.6 | 280 |
| 65-315(I)A | 32.5 46.5 60.5 | 9.0 13.1 16.9 | 117 114 112 | 43 52 57 | 2900 | 30 | 2.5 | 360 | 80-200(I)A | 65.4 93.5 121.6 | 18.2 26 33.8 | 47.5 44 37 | 66 77 78 | 2900 | 18.5 | 3.6 | 251 |
| 65-315(I)B | 31.3 44.5 58 | 8.6 12.4 16.1 | 105 103 101 | 40 53 56 | 2900 | 30 | 2.5 | 360 | 80-200(I)B | 61 87 113 | 16.9 24.2 31.4 | 41 38 32 | 66 77 77 | 2900 | 15 | 3.6 | 227 |
| 65-315(I)C | 29.9 42.9 55.9 | 8.1 11.4 14.9 | 94 92 90.4 | 36 49 51 | 2900 | 22 | 2.5 | 270 | 80-250(I) | 70 100 130 | 19.4 27.8 36.1 | 87 80 74.5 | 63 76 76 | 2900 | 37 | 3.8 | 372 |
| 80-100 | 32.5 46.5 60.5 | 9.72 13.9 18.1 | 13.8 12.5 10 | 68 77 73 | 2900 | 3.0 | 2.5 | 77 | 80-250(I)A | 65.5 93.5 121.6 | 18.2 26 33.8 | 76.1 70 65.2 | 62 74 75 | 2900 | 30 | 3.8 | 351 |
| 80-100A | 31.3 44.5 58 | 8.7 12.4 16.1 | 11 10 8 | 67 75 71 | 2900 | 2.2 | 2.5 | 70 | 80-250(I)B | 61 87 113 | 16.9 24.2 31.4 | 65.3 60 56 | 61 73 74 | 2900 | 30 | 3.8 | 351 |
| 80-125 | 32.5 46.5 60.5 | 9.72 13.9 18.1 | 22 30 37 | 67 78 77 | 2900 | 5.5 | 2.5 | 116 | 80-315(I) | 70 100 130 | 19.4 27.8 36.1 | 133 128 118 | 57 68 69 | 2900 | 75 | 3.6 | 728 |
| 80-125A | 31.3 44.5 58 | 8.7 12.5 16.1 | 18 16 13.6 | 64 75 74 | 2900 | 4.0 | 2.5 | 96 | 80-315(I)A | 66.6 95 121.6 | 18.5 26.4 33.8 | 121.5 114 107.8 | 56 67 68 | 2900 | 55 | 3.6 | 670 |
| 80-160 | 32.5 46.5 60.5 | 9.72 13.9 18.1 | 36 32 28 | 63 75 73 | 2900 | 7.5 | 2.5 | 126 | 80-315(I)B | 61 87 113 | 16.9 24.2 31.4 | 109.7 103 97.3 | 55 66 67 | 2900 | 45 | 3.6 | 490 |
| 80-160A | 32.7 46.7 61 | 9.1 13.0 16.9 | 31.5 28 24.5 | 61 73 71 | 2900 | 7.5 | 2.5 | 126 | 100-100 | 70 100 130 | 19.4 27.8 36.1 | 13.6 12.5 11 | 68 79 77 | 2900 | 5.5 | 4.5 | 143 |
| 80-160B | 30.3 43.3 56.3 | 8.4 12.0 15.8 | 27 24 21.8 | 60 72 71 | 2900 | 5.5 | 2.5 | 117 | 100-100A | 62.6 89 116 | 17.4 24.7 32.2 | 11 10 9 | 67 78 76 | 2900 | 4.0 | 4.5 | 120 |
| 80-200 | 32.5 46.5 60.5 | 9.72 13.9 18.1 | 53 50 47 | 58 72 73 | 2900 | 15 | 2.5 | 195 | 100-125 | 70 100 130 | 19.4 27.8 36.1 | 22.5 20 16.5 | 69 80 76 | 2900 | 11 | 4.5 | 200 |
| 80-200A | 32 47 61 | 9.1 13.1 16.9 | 47 44 40 | 55 70 71 | 2900 | 11 | 2.5 | 187 | 100-125A | 62.6 89 116 | 17.4 24.8 32.2 | 18.5 16.4 13.2 | 67 78 75 | 2900 | 7.5 | 4.5 | 170 |
| 80-200B | 30.5 43.5 56.5 | 8.5 12.1 15.7 | 40.6 38 33.4 | 53 68 70 | 2900 | 7.5 | 2.5 | 140 | 100-160 | 70 100 130 | 19.4 27.8 36.1 | 36 32 28 | 71 79 75 | 2900 | 15 | 4.0 | 220 |
| 80-250 | 32.5 46.5 60.5 | 9.72 13.9 18.1 | 83 80 75 | 54 66 69 | 2900 | 22 | 2.5 | 270 | 100-160A | 65.4 93.5 121.6 | 18.2 26 33.8 | 31.5 28 24.5 | 70 78 76 | 2900 | 11 | 4.0 | 210 |
| 80-250A | 32.5 46.5 60.5 | 9.0 13 16.9 | 73 70 65.7 | 53 64 67 | 2900 | 18.5 | 2.5 | 240 | 100-200 | 70 100 130 | 19.4 27.8 36.1 | 54 50 42 | 67 78 79 | 2900 | 22 | 3.6 | 280 |
| 80-250B | 30.3 43.3 56.3 | 8.3 12.0 15.8 | 63 60 56.2 | 51 62 65 | 2900 | 15 | 2.5 | 215 | 100-200A | 65.5 93.5 121.6 | 18.2 26 33.8 | 47.5 44 37 | 66 77 78 | 2900 | 18.5 | 3.6 | 250 |
| 80-315 | 32.5 46.5 60.5 | 9.72 13.9 18.1 | 128 125 123 | 46 57 59 | 2900 | 37 | 2.5 | 390 | 100-200B | 61 87 113 | 16.9 24.2 31.4 | 41 38 32 | 66 77 77 | 2900 | 15 | 3.6 | 232 |
| 80-315A | 32.5 46.5 60.5 | 9.0 12.9 16.8 | 117 114 112.3 | 44 56 58 | 2900 | 30 | 2.5 | 370 | 100-250 | 70 100 130 | 19.4 27.8 36.1 | 85 80 74.5 | 63 75 76 | 2900 | 37 | 3.8 | 395 |

性能参数 Parameters

| 型号 Type | 流量 Capacity | | 扬程 Head m | 效率 Eff. % | 转速 Speed r/min | 电机功率 Motor power kW | 必需汽量 NPSHr m | 重量 W.T kg | 型号 Type | 流量 Capacity | | 扬程 Head m | 效率 Eff. % | 转速 Speed r/min | 电机功率 Motor power kW | 必需汽量 NPSHr m | 重量 W.T kg |
|------------|-----------------------|----------------------|-----------------------|-----------------|----------------------|---------------------------|--------------------|-----------------|-------------|---------------------|-----------------------|----------------------|-----------------|----------------------|---------------------------|--------------------|-----------------|
| | m ³ /h | L/S | | | | | | | | m ³ /h | L/S | | | | | | |
| 100-250A | 65.5 93.5 121.6 | 18.2 26 33.8 | 76.1 70 65.2 | 62 74 75 | 2900 | 30 | 3.8 | 380 | 150-250A | 129 184 240 | 35.6 51.3 66.7 | 18.5 17 14.4 | 74 80 77 | 1450 | 15 | 3.0 | 262 |
| 100-250B | 61 87 113 | 16.9 24.2 31.4 | 65.3 60 56 | 61 73 74 | 2900 | 30 | 3.8 | 380 | 150-250B | 117 167 217.4 | 33.5 48.4 60.4 | 15.2 14 12 | 72 78 75 | 1450 | 11 | 3.0 | 240 |
| 100-315 | 70 100 130 | 19.4 27.8 36.1 | 133 125 118 | 57 68 69 | 2900 | 75 | 3.6 | 750 | 150-315 | 140 200 260 | 38.9 55.9 72.2 | 34 32 28.5 | 73 81 81 | 1450 | 30 | 2.5 | 450 |
| 100-315A | 66.6 95 121.6 | 18.5 26.4 33.8 | 121.5 114 107.8 | 56 67 68 | 2900 | 55 | 3.6 | 730 | 150-315A | 131 187 243 | 36.4 51.3 67.5 | 29.8 28 24.9 | 70 79 80 | 1450 | 22 | 2.5 | 430 |
| 100-315B | 61 87 113 | 16.9 24.2 31.4 | 109.7 103 97.3 | 55 66 67 | 2900 | 45 | 3.6 | 514 | 150-315B | 121 173 225 | 33.5 48.4 62.5 | 25.5 24 21.4 | 69 78 79 | 1450 | 18.5 | 2.5 | 410 |
| 100-315C | 58 80 100 | 16.1 22.8 29.7 | 97.8 93 88 | 54 64 66 | 2900 | 37 | 3.6 | 511 | 150-400 | 140 200 260 | 38.9 55.9 72.2 | 53 50 46 | 70 77 76 | 1450 | 45 | 2.8 | 590 |
| 100-350 | 70 100 130 | 19.4 27.8 36.1 | 158 150 140 | 59 69 65 | 2900 | 90 | 3.8 | 950 | 150-400A | 131 187 243 | 36.4 51.3 67.5 | 46.6 44 38 | 69 78 75 | 1450 | 37 | 2.8 | 551 |
| 100-350A | 65.4 93.5 121.6 | 18.2 26 33.8 | 147 139 132 | 58 69 70 | 2900 | 75 | 3.8 | 710 | 150-400B | 122 174 226 | 33.5 48.4 62.5 | 40.3 38 35 | 68 75 74 | 1450 | 30 | 2.8 | 530 |
| 100-350B | 61 87 113 | 16.9 24.2 31.4 | 140 135 125 | 57 68 63 | 2900 | 55 | 3.8 | 650 | 150-400C | 112 160 208 | 31.1 44.4 57.8 | 34 32 28 | 67 73 71 | 1450 | 22 | 2.8 | 481 |
| 125-125 | 96 160 192 | 26.7 44.4 53.3 | 22.6 20 17 | 78 83 84 | 2900 | 15 | 3.6 | 277 | 150-250(I) | 120 200 240 | 33.5 55.9 66.7 | 87 80 72 | 68 80 77 | 2900 | 75 | 4.2 | 802 |
| 125-125A | 86 143 172 | 23.9 44.4 46.1 | 18 16 13.6 | 76 80 82 | 2900 | 11 | 3.6 | 262 | 150-250(I)A | 112 187 224 | 31.1 51.3 62.2 | 76 73 63 | 67 79 76 | 2900 | 55 | 4.2 | 650 |
| 125-160 | 96 160 192 | 26.7 44.4 53.3 | 36 33 28 | 74 79 80 | 2900 | 22 | 3.6 | 315 | 150-250(I)B | 104 173 208 | 28.9 48.4 57.8 | 65 60 54 | 66 75 75 | 2900 | 45 | 4.2 | 565 |
| 128-160A | 90 150 180 | 25 41.7 50 | 31.5 28 24.5 | 73 78 78 | 2900 | 18.5 | 3.6 | 280 | 150-315(I) | 120 200 240 | 33.5 55.9 66.7 | 133 125 120 | 63 73 79 | 2900 | 110 | 4.5 | 1080 |
| 125-160B | 83 138 166 | 21.7 44.4 46.1 | 27 24 21 | 71 76 77 | 2900 | 15 | 3.6 | 260 | 150-315(I)A | 112 187 224 | 31.1 51.3 62.2 | 118 114 109 | 61 77 78 | 2900 | 90 | 4.5 | 910 |
| 125-200 | 96 160 192 | 26.7 44.4 53.3 | 55 50 46 | 74 79 81 | 2900 | 37 | 5.0 | 451 | 150-315(I)B | 104 173 208 | 28.9 48.4 57.8 | 109 105 99 | 60 75 77 | 2900 | 75 | 4.5 | 830 |
| 125-200A | 90 150 180 | 25 41.7 50 | 48.4 44 40.5 | 73 78 80 | 2900 | 30 | 5.0 | 437 | 200-200 | 140 200 260 | 38.9 55.9 72.2 | 138 125 10.5 | 70 80 80 | 1450 | 15 | 3.0 | 365 |
| 125-200B | 83 138 166 | 21.7 44.4 46.1 | 41.3 37 34.5 | 72 77 79 | 2900 | 22 | 5.0 | 355 | 200-200A | 125 179 233 | 34.7 49.7 64.7 | 11 10 8.5 | 68 78 78 | 1450 | 11 | 3.0 | 340 |
| 125-250 | 96 160 192 | 26.7 44.4 53.3 | 87 80 73 | 73 77 79 | 2900 | 55 | 4.5 | 665 | 200-250 | 140 200 260 | 38.9 55.9 72.2 | 22 20 17 | 75 81 79 | 1450 | 18.5 | 3.0 | 310 |
| 125-250A | 90 150 180 | 25 41.7 50 | 76 70 64 | 72 75 78 | 2900 | 45 | 4.5 | 577 | 200-250A | 129 184 240 | 35.6 51.3 66.7 | 18.5 17 14.4 | 74 80 77 | 1450 | 15 | 3.0 | 275 |
| 125-250B | 83 138 166 | 21.7 44.4 46.1 | 65 60 55 | 71 74 77 | 2900 | 37 | 4.5 | 512 | 200-315 | 140 200 260 | 38.9 55.9 72.2 | 34 32 28.5 | 73 81 81 | 1450 | 30 | 2.5 | 520 |
| 125-315 | 96 160 192 | 26.7 44.4 53.3 | 133 125 119 | 70 73 75 | 2900 | 90 | 4.5 | 905 | 200-315A | 131 187 243 | 36.4 51.3 67.5 | 29.8 28 24.9 | 70 79 80 | 1450 | 22 | 2.5 | 500 |
| 125-315A | 90 150 180 | 25 41.7 50 | 117 110 104.6 | 69 73 73 | 2900 | 75 | 4.5 | 815 | 200-315B | 121 173 225 | 33.5 48.4 62.5 | 25.5 24 21.4 | 69 78 79 | 1450 | 18.5 | 2.5 | 480 |
| 125-315B | 86 143 172 | 23.9 44.4 47.8 | 106.4 100 95.2 | 67 71 72 | 2900 | 75 | 4.5 | 815 | 200-400 | 140 200 260 | 38.9 55.9 72.2 | 53 50 46 | 70 77 76 | 1450 | 45 | 2.8 | 590 |
| 125-315C | 80.5 134 167 | 22.4 44.4 46.4 | 96 88 86 | 66 70 71 | 2900 | 55 | 4.5 | 690 | 200-400A | 131 187 243 | 36.4 51.3 67.5 | 46.6 44 38 | 69 78 75 | 1450 | 37 | 2.8 | 560 |
| 125-350 | 96 160 192 | 26.7 44.4 53.3 | 162 150 137 | 70 75 74 | 2900 | 110 | 3.8 | 1400 | 200-400B | 122 174 226 | 33.5 48.4 62.5 | 40.3 38 35 | 68 75 74 | 1450 | 30 | 2.8 | 541 |
| 125-350A | 90 150 180 | 25 41.7 50 | 147 139 132 | 69 74 74 | 2900 | 90 | 3.8 | 1090 | 200-400C | 112 160 208 | 31.1 44.4 57.8 | 34 32 28 | 67 73 71 | 1450 | 22 | 2.8 | 472 |
| 125-350B | 86 143 172 | 23.9 44.4 47.8 | 140 135 125 | 68 73 73 | 2900 | 75 | 3.8 | 850 | 200-200(I) | 280 400 520 | 77.8 111.1 144 | 13.4 12.5 10.5 | 72 82 81 | 1450 | 22 | 4.0 | 491 |
| 150-200 | 140 200 260 | 38.9 55.9 72.2 | 133 125 118 | 70 80 80 | 1450 | 15 | 3.0 | 260 | 200-200(I)A | 250 358 465 | 69.4 99.4 129.2 | 10.7 10 8.5 | 70 80 79 | 1450 | 18.5 | 4.0 | 467 |
| 150-200A | 125 179 233 | 34.7 49.7 64.7 | 11 10 8.5 | 68 78 78 | 1450 | 11 | 3.0 | 240 | 200-250(I) | 280 400 520 | 77.8 111.1 144 | 22.5 20 16 | 78 84 82 | 1450 | 30 | 4.1 | 581 |
| 150-250 | 140 200 260 | 38.9 55.9 72.2 | 21.6 20 17 | 75 81 79 | 1450 | 18.5 | 3.0 | 300 | 200-250(I)A | 250 358 465 | 69.4 99.4 129.2 | 19.8 17.8 13.8 | 77 83 80 | 1450 | 22 | 4.1 | 551 |

性能参数 Parameters

| 型号 Type | 流量 Capacity | | 扬程 Head m | 效率 Eff. % | 转速 Speed r/min | 电机功率 Motor power kW | 必需汽蚀余量 NPSHr m | 重量 W.T kg | 型号 Type | 流量 Capacity | | 扬程 Head m | 效率 Eff. % | 转速 Speed r/min | 电机功率 Motor power kW | 必需汽蚀余量 NPSHr m | 重量 W.T kg |
|-------------|-------------------|-------------------------|--------------------|-----------------|----------------------|---------------------------|----------------------|-----------------|-------------|----------------------|-------------------------|----------------------|-----------------|----------------------|---------------------------|----------------------|-----------------|
| | m³/h | L/S | | | | | | | | m³/h | L/S | | | | | | |
| 200-315(I) | 280 400 520 | 77.8 111.8 144 | 37 32 26.5 | 73 84 82 | 1450 | 55 | 3.5 | 780 | 300-380 | 480 720 900 | 133.3 200 250 | 48 44 34 | 78 85 83 | 970 | 132 | 5.0 | 2100 |
| 200-315(I)A | 262 374 486 | 72.8 103.9 135 | 32.4 28 23 | 71 83 81 | 1450 | 45 | 3.5 | 760 | 300-380A | 444 666 833 | 123.3 185 213.4 | 41.4 38 30 | 77 83 81 | 970 | 110 | 5.0 | 1900 |
| 200-315(I)B | 242 348 450 | 67.2 96.1 125 | 27.8 24 19.5 | 72 85 80 | 1450 | 37 | 3.8 | 630 | 300-380B | 409 614 767 | 113.6 170.6 213.1 | 35 32 25 | 77 81 80 | 970 | 90 | 5.0 | 1730 |
| 200-400(I) | 280 400 520 | 77.8 111.1 144 | 54.5 50 39 | 76 83 78 | 1450 | 75 | 3.8 | 950 | 300-400 | 500 720 900 | 138.9 200 250 | 54.5 50 42 | 79 82 81 | 1450 | 132 | 5.5 | 1870 |
| 200-400(I)A | 262 374 486 | 72.8 103.9 135 | 48.4 44 40 | 75 81 77 | 1450 | 75 | 3.8 | 950 | 300-400A | 420 600 780 | 127.8 180.6 233.3 | 47 44 37 | 78 81 80 | 1450 | 110 | 5.5 | 1670 |
| 200-400(I)B | 242 348 450 | 67.2 96.1 125 | 41.8 38 34.2 | 74 80 75 | 1450 | 55 | 3.8 | 795 | 300-460 | 480 720 900 | 133.3 200 250 | 71 65 58 | 75 81 82 | 1450 | 180 | 5.5 | 2320 |
| 200-400(I)C | 224 320 410 | 62.2 88.9 115.6 | 34.9 32 25 | 71 78 73 | 1450 | 45 | 3.8 | 690 | 300-460A | 444 666 833 | 123.3 185 231.4 | 60 56 49 | 74 80 81 | 1450 | 160 | 5.5 | 1830 |
| 200-510(I) | 280 400 520 | 77.8 111.1 144 | 87 80 77 | 73 80 77 | 1450 | 132 | 3.8 | 1870 | 300-460B | 409 614 767 | 113.6 170.6 213.1 | 49 45 35 | 73 79 80 | 1450 | 110 | 5.5 | 1730 |
| 200-510(I)A | 262 374 486 | 72.8 103.9 135 | 76 70 62 | 72 76 76 | 1450 | 110 | 3.8 | 1710 | 300-510 | 480 720 900 | 133.3 200 250 | 84 80 72 | 75 81 82 | 1450 | 250 | 5.5 | 2320 |
| 200-510(I)B | 242 348 450 | 67.2 96.1 125 | 65 60 54 | 71 78 75 | 1450 | 90 | 3.8 | 1490 | 300-510A | 444 666 833 | 123.3 185 213.4 | 74 70 63 | 76 80 81 | 1450 | 200 | 5.5 | 1830 |
| 250-250 | 400 550 670 | 111.1 152.8 186.1 | 22.2 20 16 | 80 84 84 | 1450 | 45 | 5.0 | 750 | 300-510B | 409 614 767 | 113.6 170.6 213.1 | 66 63 59 | 73 78 80 | 1450 | 160 | 5.5 | 1730 |
| 250-250A | 365 500 600 | 101.4 138.9 166.7 | 19 17 14 | 79 82 85 | 1450 | 37 | 5.0 | 680 | 300-235(I) | 718 1080 1345 | 199.4 300 373.6 | 44.6 40 34.6 | 79 82 80 | 1450 | 160 | 5.5 | 1830 |
| 250-315 | 400 550 670 | 111.1 152.8 186.1 | 36 26 26 | 77 82 84 | 1450 | 75 | 5.0 | 1055 | 300-235(I)A | 642 925 1203 | 178.3 268.1 334 | 35.7 32 27.7 | 78 80 78 | 1450 | 132 | 5.5 | 1620 |
| 250-315A | 365 500 600 | 101.4 138.9 166.7 | 31.5 28 23 | 76 80 82 | 1450 | 55 | 5.0 | 980 | 350-315 | 1000 1200 1450 | 277.8 333.3 402.8 | 23 20 16 | 76 80 78 | 1450 | 110 | 5.5 | 1730 |
| 250-400 | 400 550 670 | 111.1 152.8 186.1 | 54.5 50 39 | 74 78 80 | 1450 | 110 | 5.0 | 1700 | 350-315A | 900 1080 1300 | 250 300 361 | 19 17 14 | 75 78 76 | 1450 | 75 | 5.5 | 1400 |
| 250-400A | 365 500 600 | 101.4 138.9 166.7 | 47 44 35 | 74 77 79 | 1450 | 90 | 5.0 | 1155 | 350-400 | 1000 1200 1450 | 277.8 333.3 402.8 | 36 32 26 | 75 78 78 | 1450 | 160 | 6.0 | 2020 |
| 250-400B | 325 450 530 | 90.3 125 147.2 | 41.2 38 34.2 | 73 76 78 | 1450 | 75 | 5.0 | 1055 | 350-400A | 900 1080 1300 | 250 300 361 | 31.5 29 23 | 74 76 74 | 1450 | 132 | 6.0 | 1970 |
| 250-480 | 400 550 670 | 111.1 152.8 186.1 | 76 70 63 | 73 76 78 | 1450 | 160 | 5.0 | 1800 | 350-460 | 1000 1200 1400 | 277.8 333.3 400 | 54 50 43 | 74 74 72 | 1450 | 250 | 6.5 | 2620 |
| 250-480A | 365 500 600 | 101.4 138.9 166.7 | 65 60 54 | 74 75 77 | 1450 | 132 | 5.0 | 1780 | 350-460A | 819 1090 1310 | 227.5 302.7 363.9 | 47 44 38 | 68 72 70 | 1450 | 200 | 6.5 | 2430 |
| 250-480B | 325 450 530 | 90.3 125 147.2 | 55 51 46 | 73 74 76 | 1450 | 90 | 5.0 | 1350 | 350-460B | 745 994 1192 | 207 276 331.2 | 42 38.5 34 | 60 60 68 | 1450 | 200 | 6.5 | 2430 |
| 250-510 | 400 550 670 | 111.1 152.8 186.1 | 86 80 74 | 73 78 76 | 1450 | 185 | 5.0 | 1740 | 400-400 | 1200 1600 1900 | 333.3 444.4 527.8 | 23 20 15 | 81 85 74 | 980 | 110 | 6.5 | 1950 |
| 250-510A | 365 500 600 | 101.4 138.9 166.7 | 76 70 64 | 72 77 75 | 1450 | 160 | 5.0 | 1700 | 400-400A | 1092 1456 1729 | 303.3 404.4 480.4 | 19.5 17.0 13.0 | 80 84 73 | 980 | 90 | 6.5 | 1730 |
| 250-510B | 325 450 530 | 90.3 125 147.2 | 66 60 54 | 71 76 74 | 1450 | 132 | 5.0 | 1640 | 400-400B | 994 1325 1573 | 226 368 437 | 16.2 14.0 11.2 | 79 83 72 | 980 | 75 | 6.5 | 1570 |
| 300-235 | 480 720 900 | 133.3 200 250 | 20 18 15.5 | 77 83 77 | 970 | 55 | 5.0 | 1270 | 400-460 | 1200 1600 1900 | 333.3 444.4 527.8 | 35 32 26 | 80 85 78 | 980 | 200 | 6.5 | 2910 |
| 300-235A | 438 600 821 | 121.7 182.5 228 | 16.5 15 13 | 76 81 76 | 970 | 45 | 5.0 | 1180 | 400-460A | 1092 1456 1729 | 323.3 404.4 480.3 | 30 27.5 22.5 | 79 84 77 | 980 | 160 | 6.5 | 2630 |
| 300-300 | 480 720 900 | 133.3 200 250 | 31 28 24 | 77 83 81 | 970 | 75 | 5.0 | 1490 | 400-460B | 994 1325 1573 | 276 368 437 | 26 23.5 19 | 77 82 75 | 980 | 132 | 6.5 | 2210 |
| 300-300A | 444 666 833 | 123.3 185 231.4 | 26.5 24 21.5 | 76 82 78 | 970 | 75 | 5.0 | 1490 | 400-460(I) | 1800 2400 2650 | 500 667 792 | 76 70 57 | 81 86 79 | 1450 | 560 | 10.0 | 4250 |
| 300-300B | 409 614 767 | 113.6 170.6 213.1 | 23 21 18.5 | 74 80 76 | 970 | 55 | 5.0 | 1320 | 400-460(I)A | 1612 2150 2363 | 448 597 656 | 66 60 50 | 80 85 78 | 1450 | 450 | 10.0 | 3020 |
| 300-315 | 500 720 900 | 138.9 200 250 | 35 32 28 | 76 82 78 | 1450 | 90 | 5.0 | 1530 | 500-470 | 1650 2000 2450 | 458.3 556 680.6 | 23 20 17 | 78 80 79 | 980 | 160 | 6.0 | 2400 |
| 300-315A | 420 600 780 | 116.7 166.7 216.6 | 30 28 24.5 | 74 81 76 | 1450 | 75 | 5.0 | 1360 | 500-470A | 1480 1800 2200 | 411.1 500 611.1 | 19 17 15 | 72 75 77 | 980 | 132 | 6.0 | 230 |



SGARIA.
Trustable for life

/SGARIAGROUP

