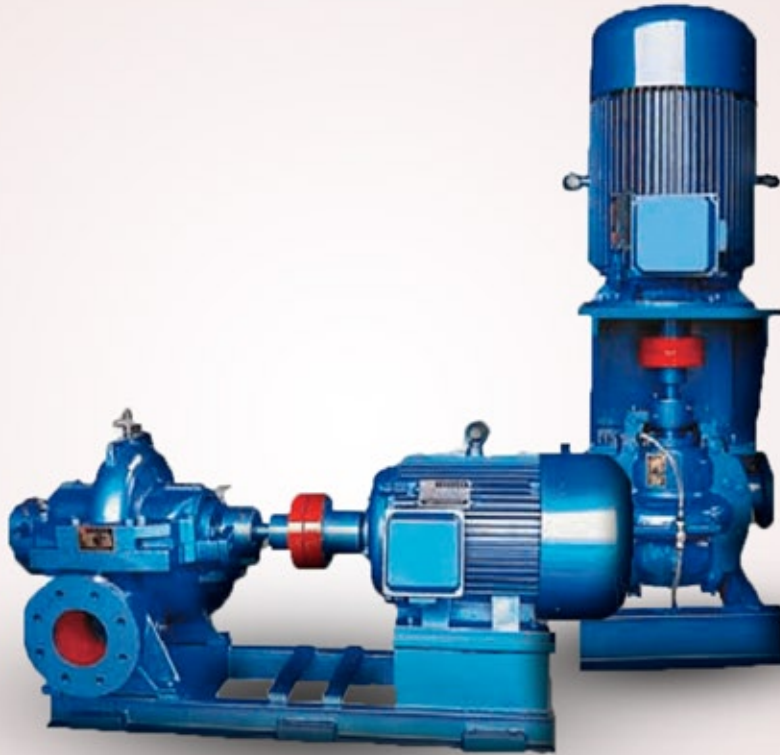




**SGARIA.**

*Trustable for life*



## **SBS DOUBLE SUCTION SPLIT CASING PUMP**



# COMPANY PROFILE



## The Sgaria

In addition to the best products, we work objectively and efficiently, with integrity and a sense of urgency to generate the best services.

Check out some of the pillars of our company:

**Customer Focus:** Our customers are the reason for our existence. We are committed to meeting your demands on site and time required;

**Safety:** We are strict in meeting our standards, valuing the safety of our customers and contributors;

**Quality Results:** We seek to maximize results by valuing quality in every detail of our operation;

**Teamwork:** Together we achieve our goals, acting in a shared way will more easily achieve achievements and good results, sharing achievements and results.

## Certificates

By bringing together technical force with design and experience, Sgaria has all the documentation necessary to deliver a certified quality product.







## Sgaria Hong Kong

**Address:**

10 / F, Pilkem Commercial Center, 8  
Pilkem Street, Jordan, Kowloon, Hong Kong  
VAT CODE: 2288999



## Sgaria EUA

**Address:**

175 SW 7th Street - Unit#1515  
Miami - FL 33130  
Phone: +1 786 773 4767  
VAT CODE: 83-1661307



## Sgaria China

**Address:**

Business Center in Mirae Asset Tower, 166  
LujiAzui Ring Road 20Floor  
Phone: +852 (3) 6789958  
VAT CODE: 91310115MA1K4CN75C



## Sgaria Brasil

**Address:**

VIÓRIA- ES  
e-mail: comercial.ind@sgaria.com  
Telefone: +55 27 2142-5884  
CNPJ: 28.446.398/0001-03



## 产品概述

SBS型轴向中开标准双吸离心泵是我公司与沈阳水泵研究所联合开发的处于国际领先地位的高效节能产品，获得国家专利(专利号：ZL 01 2 39077.1)。该系列泵具有立卧两用的独特特点，填补了国内空白，并通过国家工业泵质量监督检测中心检测合格。与原S、SH、SA型泵相比，优势突出，是理想的替代产品。

## 主要用途

SBS系列轴向中开标准双吸离心泵用于自来水厂、灌溉、排水泵站、电站、工业供水系统、消防系统、船舶工业，还可用于炼油工业、民用建筑给排水、暖通制冷、冶金、化工、制药等领域。用于输送清水或物理化学性质类似于水的液体及弱腐蚀性的化学介质。

## 运行数据

泵出口直径	DN	80-800mm
流量	Q	最大3100L/S
扬程	H	最高200m
工作压力	P	最高2.5MPa
工作温度	T	最高120℃

## General description

Type SBS standard axially split double suction pump is jointly developed by Shenyang pump research institute and our company. The product is world leading in technology content and properties, with high efficiency and energysaving and awarded national patent (application No: ZL 01 2 39077.1). This series pump has unique vertical and horizontal construction, filling up the blank in domestic, and has proved accredited product by National industry pump quality suspension and test center. It is an ideal product for replacing type S、SH、SA pumps.

## Applications

Type SBS pumps is widely used in water works, irrigation, drainage water station, power station, industrial water supply, fire fighting system, marine engineering, it can also be applied in refinery industry, water supply and drainage in building, water circulation system of air-condition, metallurgy, chemical process, pharmacy, etc. suitable for pum-ping clean water or other liquids which chemical and physical property are similiary to water.

## Operation date

Pump discharge diameter: DN	80-800mm
Capacity: $Q_{max}$	3100L/S
Head: $H_{max}$	200m
Operating pressure: $P_{max}$	2.5MPa
Operating temperature: $T_{max}$	120℃



## 型号意义

- SBS (SBSL) 100 - 310E (F) G - 1 (2, 3, 4)
- SBS — 申宝牌卧式标准双吸离心泵
- SBSL — 申宝牌立式标准双吸离心泵
- 100 — 泵出口直径(mm)
- 310 — 叶轮名义直径(mm)
- E (F) — 叶轮水力模型编号
- G — 电机转速(2900r/min), 其它转速不标
- 1 (2, 3, 4) — 叶轮直径代号

## 突出特点

### ◆结构先进

1. 结构设计合理, 轴承间距短, 结构紧凑, 整体刚性好, 提高运转的稳定性。
2. 具有立卧两种结构, 卧式结构左右轴伸互换, 可以实现正反向旋转, 应用更灵活。
3. 整体密封体及增强型壳体设计, 动静密封更可靠。
4. 优化设计的双吸叶轮, 双蜗壳结构的壳体, 使泵运转时振动及噪音减少到最低。
5. 轴承润滑分为油脂润滑和稀油润滑两种, 泵的轴封有填料密封和机械密封, 方便用户的选择, 可以适用更多的应用场合。
6. 泵的进出口位于同一直线上, 管路连接方便。

## Model meaning

- SBS (SBSL) 100 - 310E (F) G - 1 (2, 3, 4)
- SBS — type SBS standard horizontal axially split double suction pump
- SBSL — type SBSL standard vertical axially split double suction pump
- 100 — outlet diameter (mm)
- 310 — impeller normal diameter (mm)
- E (F) — code of impeller hydraulic model
- G — motor speed (2900r/min), others omit
- 1 (2, 3, 4) — code of impeller diameter

## Outstanding Features

### ◆Advanced construction

1. The pump can operate stable by using reasonable construction design, short distance between the bearings, compact size, and good rigidity.
2. Two structure of vertical and horizontal, and horizontal pump can operate in clockwise of anti-clockwise by interchange left and right shaft with more flexible application.
3. This products uses the independent integral seale parts, solving the problem of dynamic and statics sealing.
4. Optimized double suction impeller, double volute case, keep less vibration and noise.
5. Bearing lubrication has two types: grease or flood oil . Shaft sealing can adopt soft - packed stuffing or mechanical seal, for adopting more applications.
6. Suction and discharge of the pump are inline, convenient for connection of the pipe.

### ◆水力性能优越

1.利用先进的计算机辅助软件，结合现代化设计方法对壳体及叶轮进行水力设计，其效率比同类产品平均提高2-5%，而且一个泵体多个叶轮，实现全系列产品保持高效。

2.型谱范围广，型号划分细致，布局合理。

### ◆选材精良

1.选用国际及国内著名品牌精密轴承，特殊设计的机械密封，保证泵运行的低噪音及长寿命。

2.壳体、叶轮及轴套等主要过流部件有多种不同的材料组合，以满足不同的使用条件。

### ◆Excellent hydraulic performance

1. Design of hydraulic model of casing and impeller adopts modern design methods by using advanced CAD software. It is 2-5 percent higher than the efficiency of the same pump. It keeps high efficiency of full series by multi- impeller suitable for one casing.

2. Wide range charts, detail type classification, reasonable arrangement.

### ◆Excellent material

1. Imported domestic famous brand bearing of high quality, special designed mechanical seal ensure lower noise and longer operation life.

2. Multy materials can be used in pump casing, impeller and shaft, so it can suitable for different application.

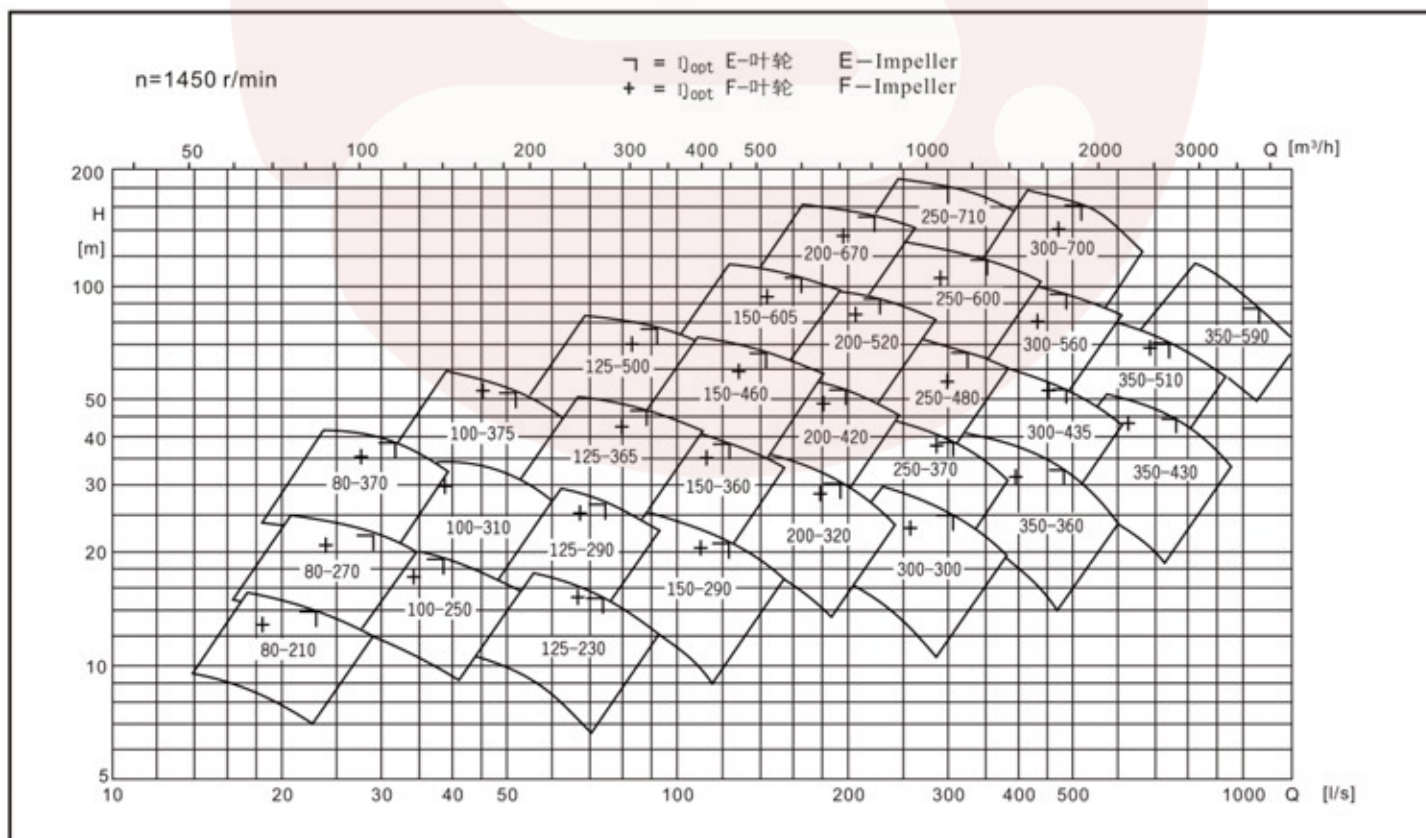
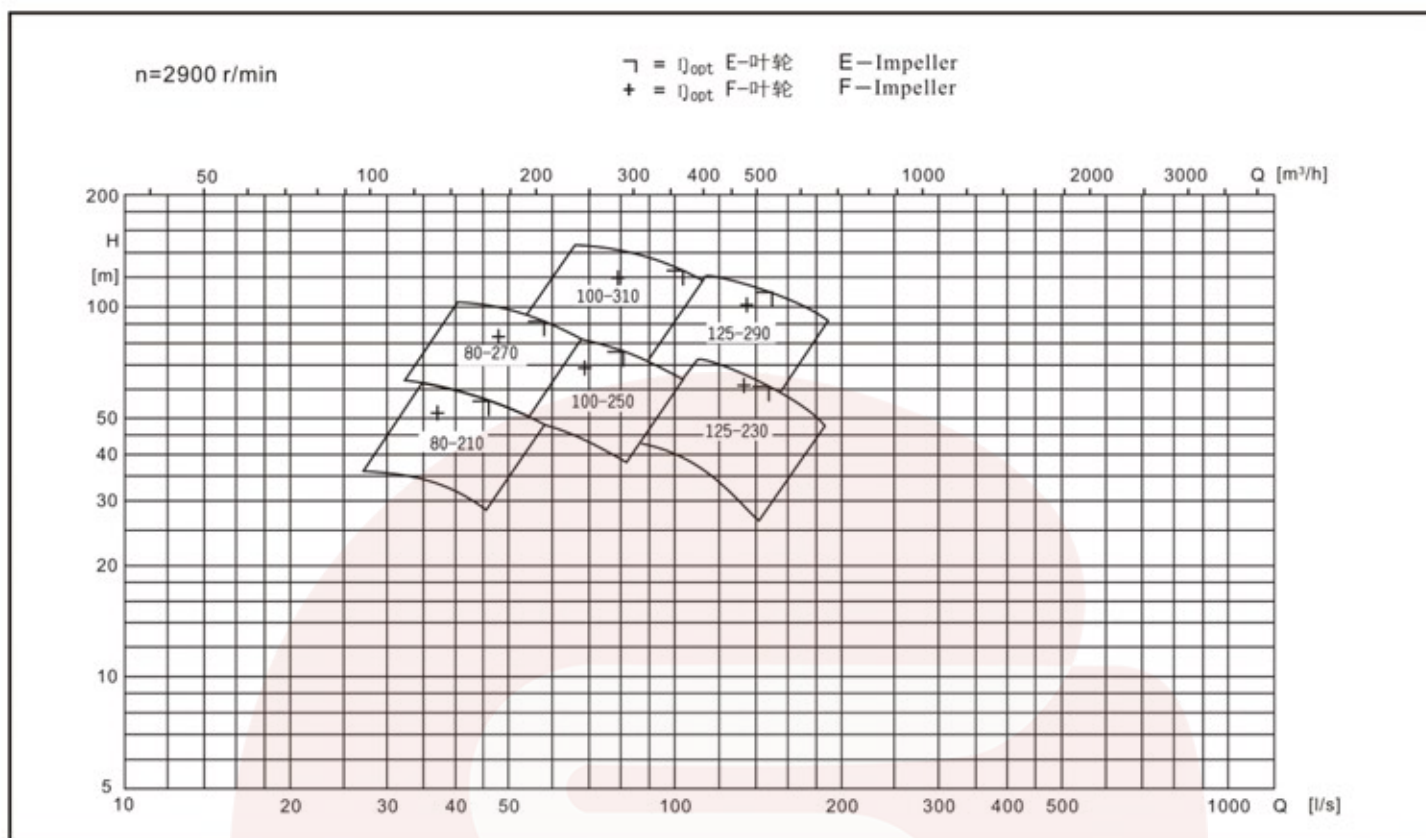
## 主要零件材料表 Materials of main parts

零件名称Parts name	材 料 Materials			
	I	II		III
泵 壳 casing	HT250	QT400-18		ZG230-450
轴 shaft	45	3Cr13		3Cr13
叶 轮 impeller	HT250	ZCuSn10Zn2	ZCuZn16Si4	ZG1Cr18Ni12Mo2Ti
轴 套 sealing shaft sleeve	45	3Cr13		Cr18Ni12Mo2Ti
壳体密封环 case sealing ring	HT250	ZCuSn5Pb5Zn5	ZCuSn10Zn2	ZG1Cr18Ni12Mo2Ti

可以根据用户要求选用其它材料 Other materials can be chosen by orders.

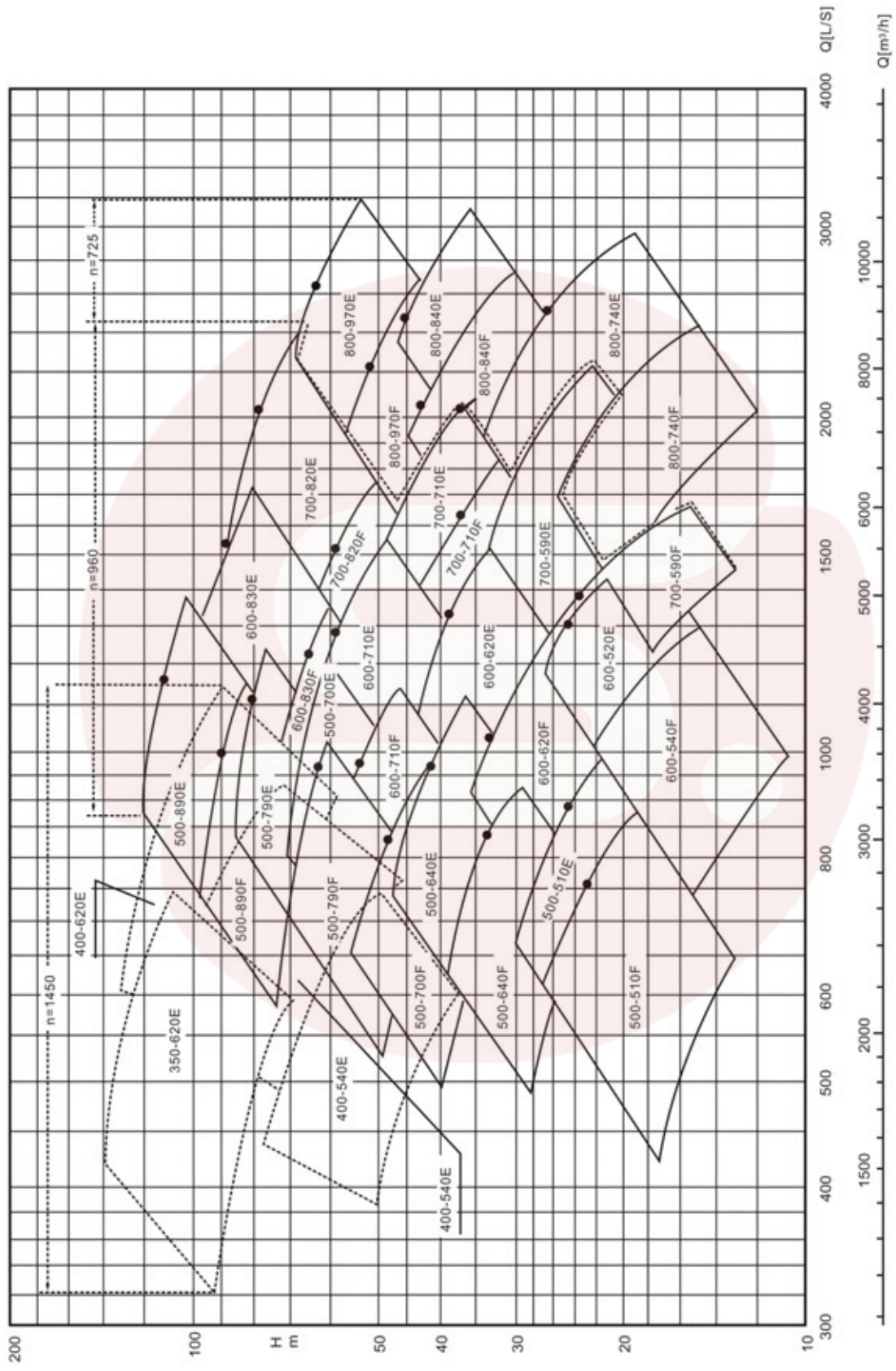


## 型谱图 Characteristics



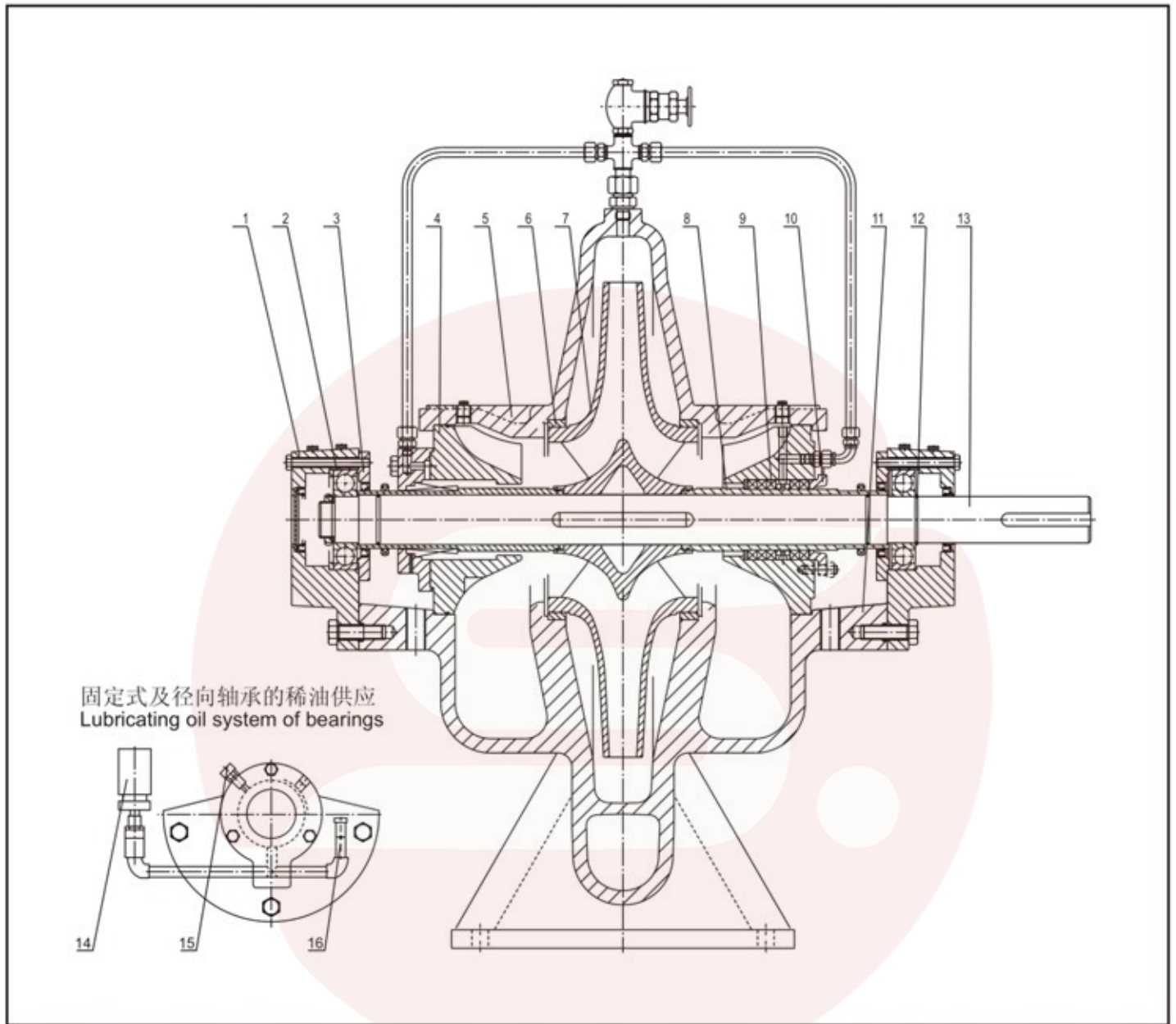
注：可根据要求设计及提供超出标准性能范围的产品。Other performance pumps can be designed by orders

# 型谱图 Characteristics



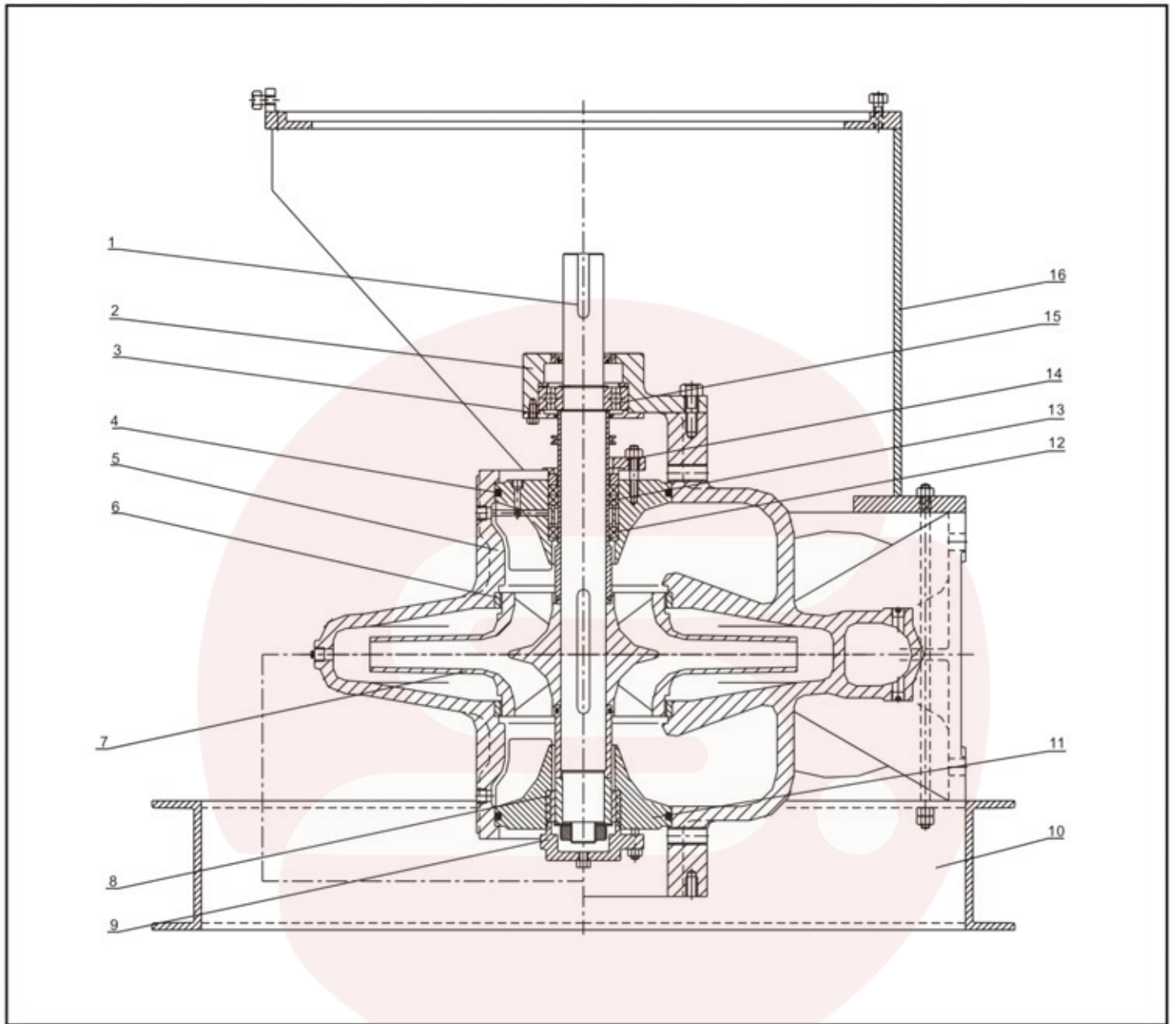


## SBS型卧式泵结构图 Construction of SBS pumps



序号 No.	零件名称 part name	序号 No.	零件名称 part name	序号 No.	零件名称 part name	序号 No.	零件名称 part name
1	轴承体 bearing body	5	泵盖 pump cover	9	填料或机械密封 packing or mechanical seal	13	轴 shaft
	轴承 bearing		壳体密封环 case sealing ring		密封压盖 sealing cover		14
3	轴承压盖 bearing cover	7	叶轮 impeller	11	泵体 pump casing	15	
	密封体 sealing body		密封轴套 sealing shaft sleeve		弹性挡圈 block ring		16

## SBSL型立式泵结构图 Construction of SBSL pumps (SBS80-210~SBS350-510)

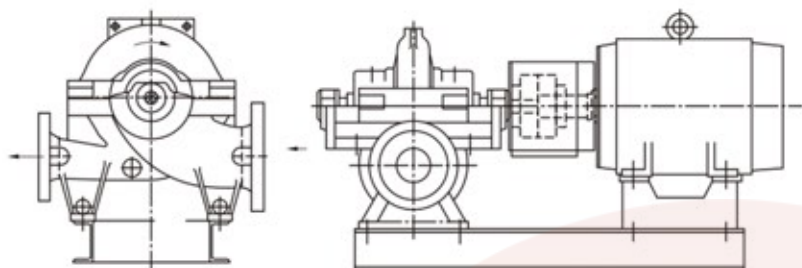


序号 No.	零件名称 part name	序号 No.	零件名称 part name	序号 No.	零件名称 part name	序号 No.	零件名称 part name
1	轴 shaft	5	泵壳 casing	9	导轴承压盖 guild bearing cover	13	密封轴套 sealingshaft sleeve
2	轴承体 bearing body	6	壳体密封环 case sealing ring	10	底座 baseplate	14	密封压盖 sealing cover
3	轴承压盖 bearing cover	7	叶轮 impeller	11	密封体 sealing body	15	轴承 bearing
4	密封圈 sealing ring	8	导轴承 guild bearing	12	填料或机械密封 packing or mechanical seal	16	电机座 motor plate

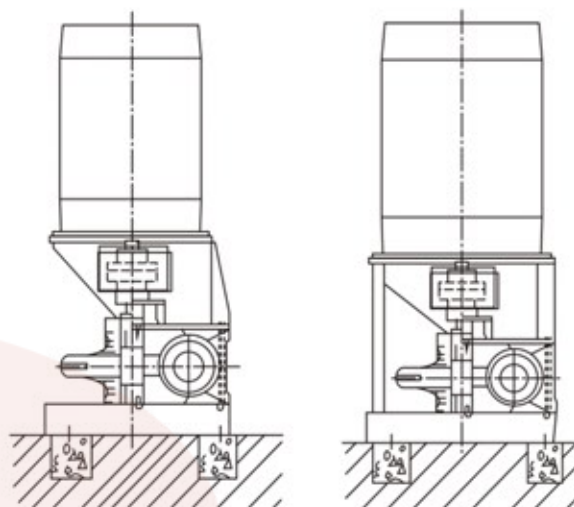


## 安装形式 Installing style

卧式 horizontal

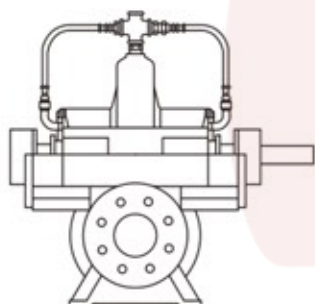


立式 vertical

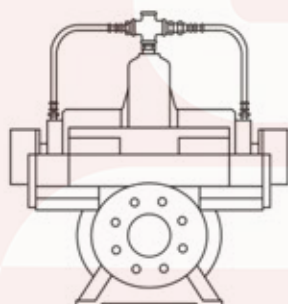


## 密封水管路布置 Pipe system for sealing water

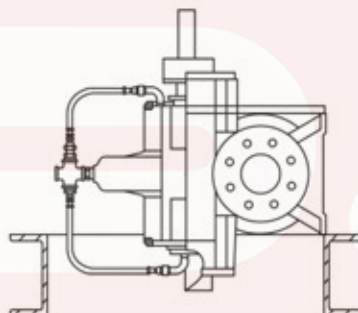
填料密封冲洗水管路  
flushing system for  
packing



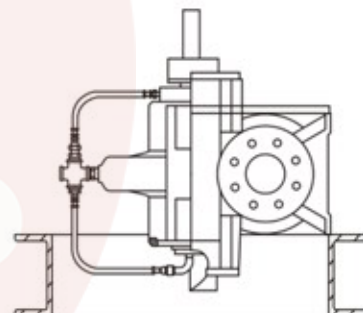
机械密封冲洗水管路  
flushing system for  
mechanical seal



填料密封及导轴承的冲洗水管路  
flushing system for packing and  
guide bearing



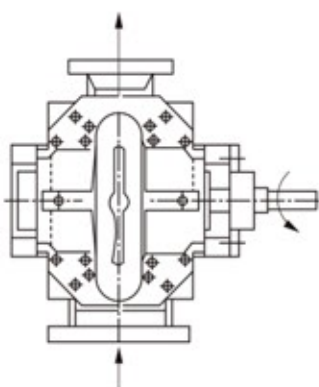
机械密封及导轴承的冲洗水管路  
flushing system for mechanical  
seal and guide bearing



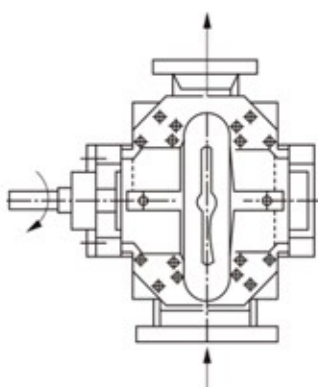
## 转向/流向 rotating direction/flow direction

卧式 horizontal

从传动端看  
逆时针方向旋转  
anti-clockwise

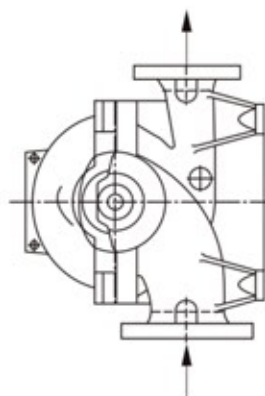


从传动端看  
顺时针方向旋转  
clockwise

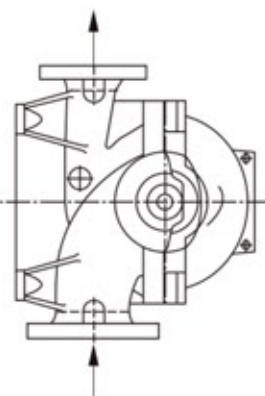


立式 vertical

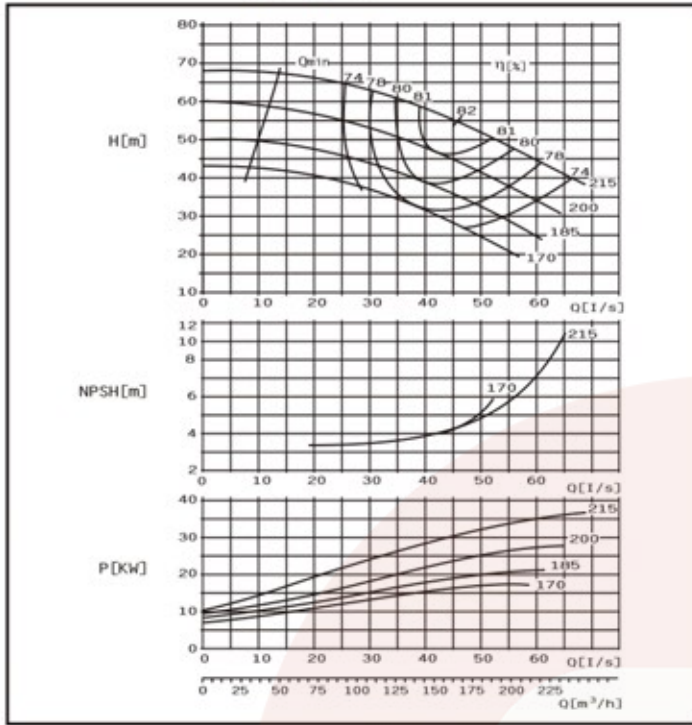
从传动端看  
逆时针方向旋转  
anti-clockwise



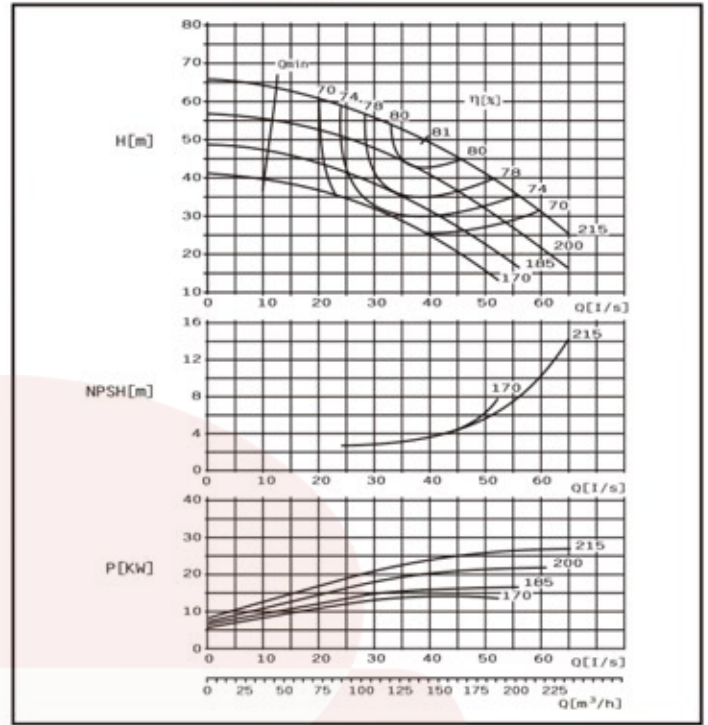
从传动端看  
顺时针方向旋转  
clockwise



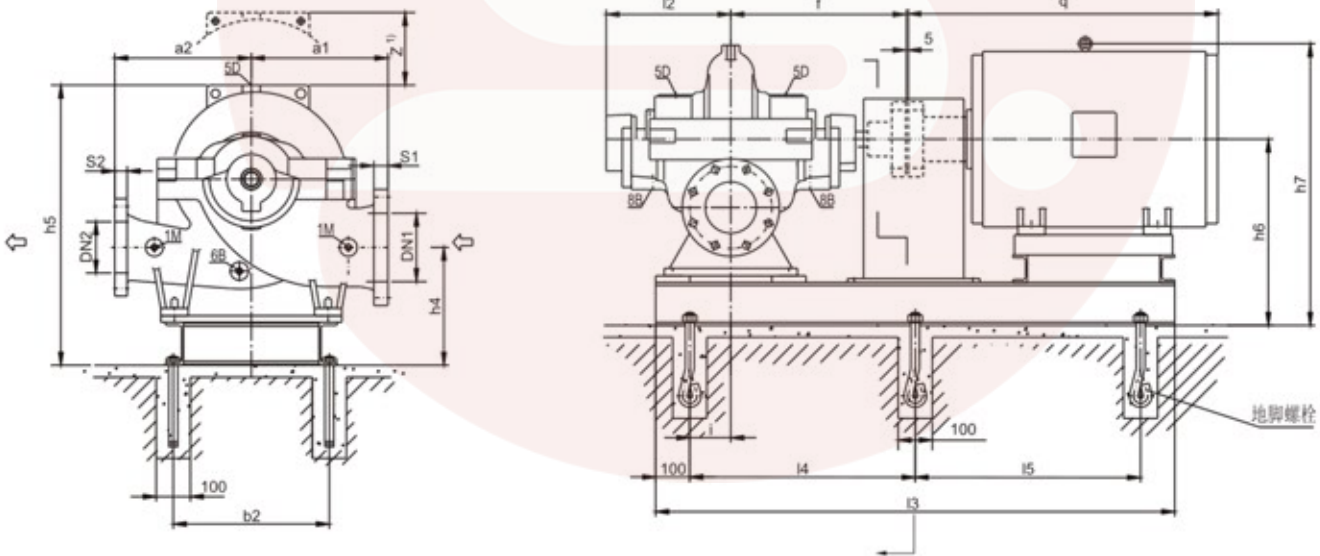
SBS80-210 EG特性曲线 n=2900r/min



SBS80-210 FG特性曲线 n=2900r/min



SBS卧式泵安装尺寸图 Installing dimensions of SBS pumps



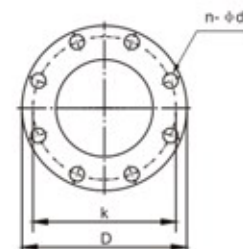
连接尺寸 connection dimensions:

- 1M 压力表Rp1/2    1M pressure gauge Rp1/2
- 6B 排液孔Rp1/2    6B drain plug Rp1/2
- 5D 排气孔Rp1/2    5D air vent Rp1/2
- 8B 漏液排出孔Rp3/4    8B drain plug Rp3/4

Z<sup>1)</sup> 拆卸转子所需最小空间尺寸

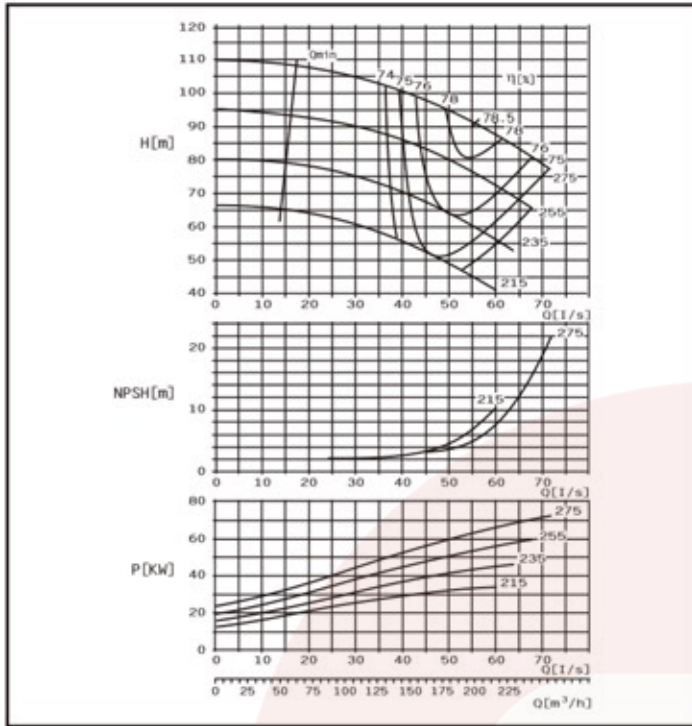
Z<sup>1)</sup> Min. dimensions of disassembling rotor assembly

法兰钻孔示意图

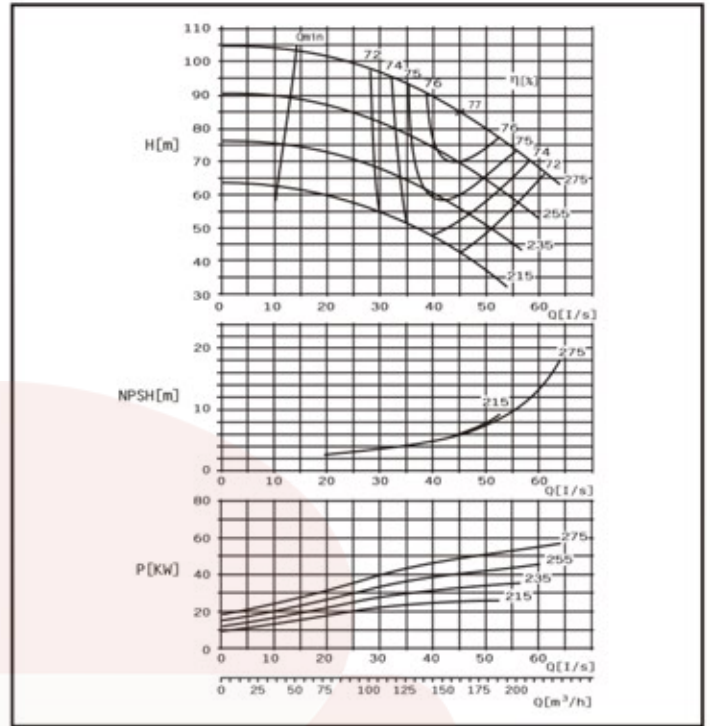




SBS80-270 EG特性曲线 n=2900r/min



SBS80-270 FG特性曲线 n=2900r/min



参数表 Standard performance

泵型号 Type	流量 Capacity Q	扬程 Head m	转速 Speed r/min	轴功率 Shaft power kW	效率 eff η %	有效汽 蚀余量 NPSHa m	电机功率 Motor power kW	叶轮参 考直径 D(mm)	
SBS 80-210EG	131 36.4 60.5	164 45.8 55	2900	26.8 80.6	80.6	5.1	37	215	
	151 42 47.5	197 54.6 50		33.4 80.2					
	121 33.6 52	151 42 47.5		21.6 79.3					
	181 50.4 42.2	181 50.4 42.2		24.1 81.0	4.6		30	200	
	115 32 44	144 40 39		17.8 77.8					
	173 48 35	173 48 35		19 80.5					
110 30.6 37	137 38 33.5	2900	14.7 75.3	4.3	18.5	170			
137 38 33.5	164 45.6 27.7		16 77.8						
164 45.6 27.7	164 45.6 27.7		16.7 74						
SBS 80-210FG	107 29.7 55.5	134 37.1 51	2900	20.5 79	80.1	4.0	30	215	
	133 36.9 43.5	160 44.5 46		22.9 80.1					
	106 29.4 47.7	133 36.9 43.5		17.6 78.2					
	159 44.2 37	159 44.2 37		20 80.1	4.0		22	30	200
	100 27.8 40	124 34.5 36		14.4 75.5					
	149 41.4 30	149 41.4 30		15.6 78.2					
91 25.2 35	113 31.5 31	2900	12.1 71.5	3.5	15	170			
113 31.5 31	136 37.8 27		12.9 74						
136 37.8 27	136 37.8 27		13.9 72						

参数表 Standard performance

泵型号 Type	流量 Capacity Q	扬程 Head m	转速 Speed r/min	轴功率 Shaft power kW	效率 eff η %	有效汽 蚀余量 NPSHa m	电机功率 Motor power kW	叶轮参 考直径 D(mm)
SBS 80-270EG	166 46.1 97.5	207 57.5 90	2900	57 77.2	75.5	7.0	75	275
	248 69 79	248 69 79		64.6 78.5				
	156 43.2 83.5	194 54 77		46.6 76				
	233 64.8 69	233 64.8 69		52.6 77.5	6.0		75	255
	147 40.8 70	184 51 63.5		37.5 74.7				
	220 61.2 55	220 61.2 55		41.8 76				
138 38.4 56.5	173 48 50	2900	28.7 74.2	5.0	37	215		
198 55 45	198 55 45		31.4 75					
198 55 45	198 55 45		32.8 74					
SBS 80-270FG	137 38 91	171 47.5 82.5	2900	44.6 76.1	77	7.3	55	275
	205 67 72.5	205 67 72.5		49.9 77.2				
	122 34 79.5	153 42.5 71.5		35.6 74.4				
	184 51 67	184 51 67		39.1 76.2	6.0		55	255
	115 31.9 66.8	144 40 60		28.5 73.7				
	173 48.1 53	173 48.1 53		31.3 75.2				
110 30.6 54.5	137 38.1 49	2900	22.4 72.5	5.4	30	215		
137 38.1 49	164 45.6 42		24.5 74.4					
164 45.6 42	164 45.6 42		25.9 72.5					

主要外型尺寸 pump outline size

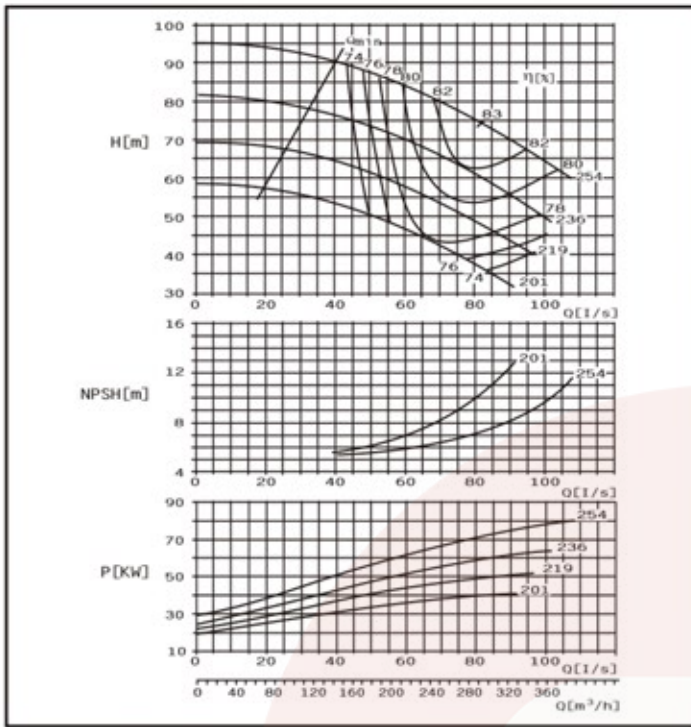
泵型号 type	法兰尺寸 flange size										泵尺寸 pump size					泵重量W.T		
	进口法兰 inlet flange					出口法兰 outlet flange					泵尺寸 pump size					泵重量W.T		
	DN1	S1	K	D	n-φd	DN2	S2	K	D	n-φd	a1	a2	f	h5≤	12	z <sup>1)</sup>	净重N.T	湿重G.T
80-210	125	26	210	250	8-φ17.5	80	24	160	200	8-φ17.5	300	300	385	660	300	340	185	195
80-270																380	195	210

电机尺寸——Y型电机 Motor size(2极)

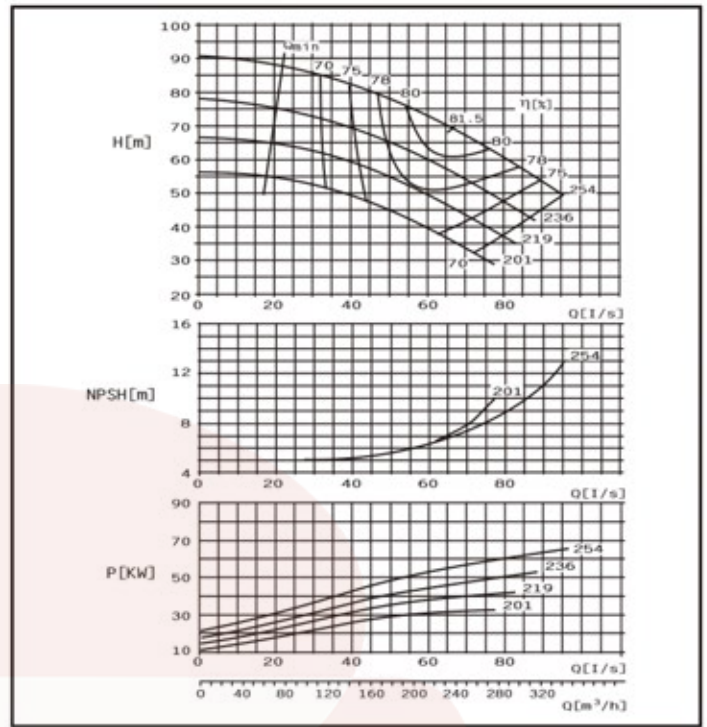
泵型号 Type	电机Motor		b2	h4	h6	h7	l3	l4	l5	i	q	电机重量(kg) Motor W · T	底座参考 重量(kg) Baseplate W · T	地脚螺栓 anchor bolt
	型号 Type	功率Power (kW)												
80-270	80-210	160M2	15	340	295	435	660	1050	425	70	605	132	70	6- M16×350
		160L	18.5											
		180M	22											
		200L	30/37	320	460	765	1230	515	85	815	308	100		
		225M	45											
		250M	55											
280S	75			785	1320	560	930	403	110					
				820	1390	595	1000	544	140					



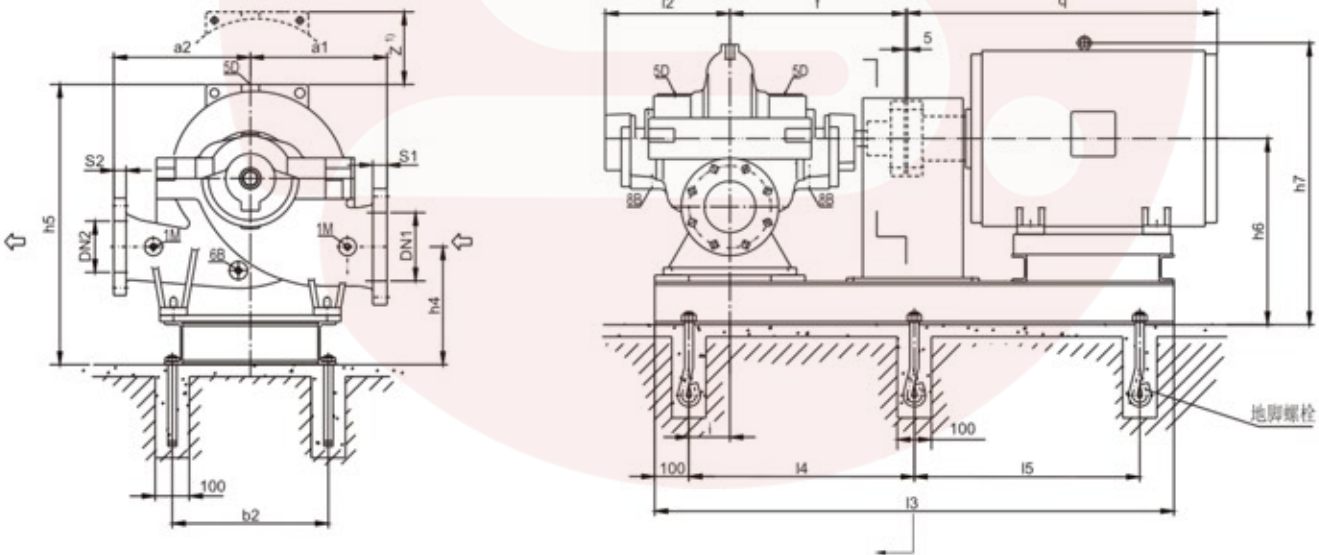
SBS100-250 EG特性曲线 n=2900r/min



SBS100-250 FG特性曲线 n=2900r/min



SBS卧式泵安装尺寸图 Installing dimensions of SBS pumps



连接尺寸 connection dimensions:

1M 压力表Rp1/2 1M pressure gauge Rp1/2

6B 排液孔Rp1/2 6B drain plug Rp1/2

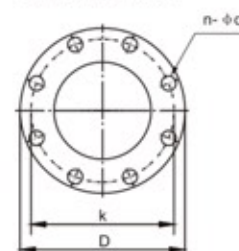
5D 排气孔Rp1/2 5D air vent Rp1/2

8B 漏液排出孔Rp3/4 8B drain plug Rp3/4

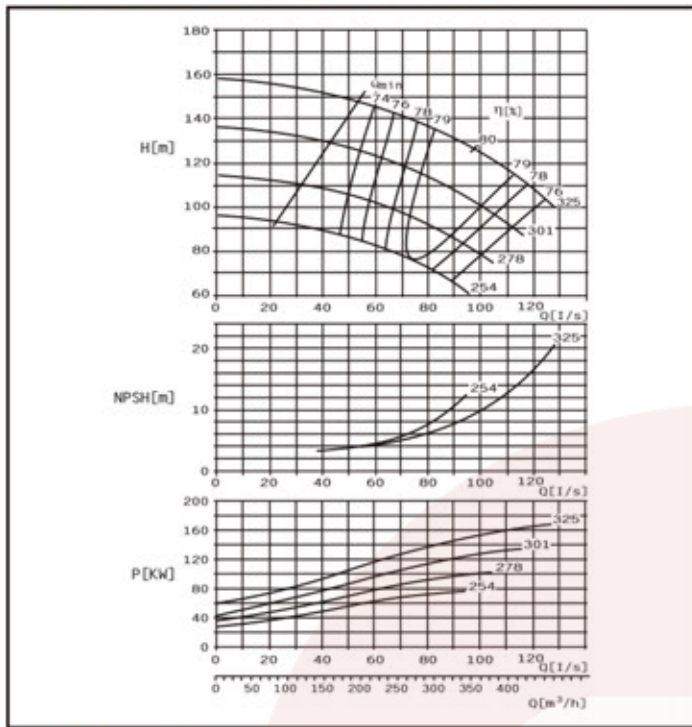
Z¹) 拆卸转子所需最小空间尺寸

Z¹) Min. dimensions of disassembling rotor assembly

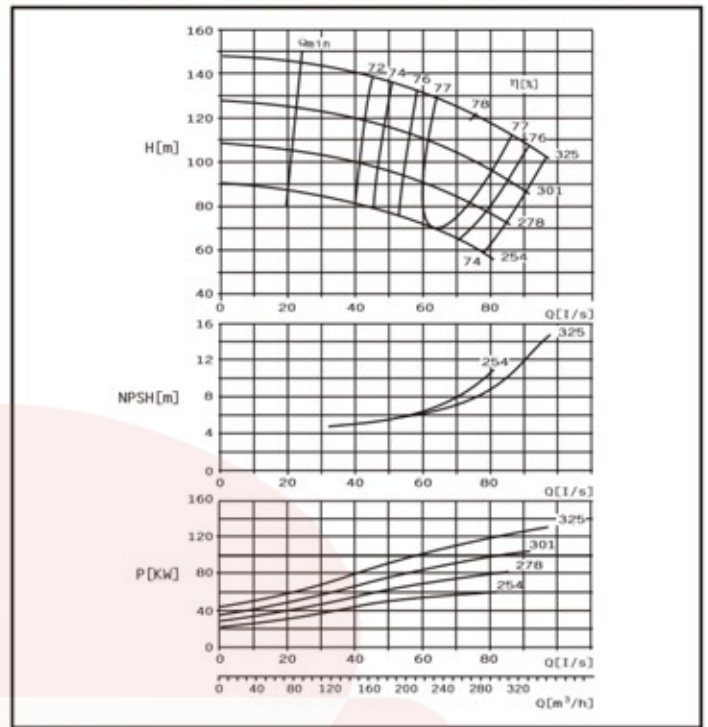
法兰钻孔示意图



SBS100-310 EG特性曲线 n=2900r/min



SBS100-310 FG特性曲线 n=2900r/min



参数表 Standard performance

泵型号 Type	流量 Capacity Q		扬程 Head m	转速 Speed r/min	轴功率 Shaft power kW	效率 eff %	有效汽 蚀余量 NPSHa m	电机功率 Motor power kW	叶轮参 考直径 D(mm)
	m³/h	l/s							
SBS 100-250EG	230	64	83	2900	64.2	80.7	9.0	90	254
	288	80	75		70.9	83			
	346	96	67		78.4	80.5			
	219	60.8	69		51.9	79.3			
274	76	63	58.3	80.5					
328	91.2	55	62.3	79					
209	58	59	43.5	77.2	9.7	55	219		
261	72.5	52	46.8	79					
313	87	46.5	51.5	77					
193	53.6	49	33.9	76				9.7	45
240	66.7	45	37.7	78					
290	80.6	37	39.2	74.5					
SBS 100-250FG	196	54.4	75	2900	50	80	8.6		
	245	68	68		55.6	81.5			
	294	81.6	59		59.8	79			
	180	50	65		40.6	78		7.8	55
223	62	59	44.7	79.5					
268	74.4	51	47.9	77					
165	45.8	56	32.9	76.5	7.4	45	219		
205	57	51	36.8	77.5					
246	68.4	44	38.8	76					
150	41.7	48	26.4	75				7.1	37
190	52.8	43	29.1	76					
227	63	38	31.1	75.5					

参数表 Standard performance

泵型号 Type	流量 Capacity Q		扬程 Head m	转速 Speed r/min	轴功率 Shaft power kW	效率 eff %	有效汽 蚀余量 NPSHa m	电机功率 Motor power kW	叶轮参 考直径 D(mm)
	m³/h	l/s							
SBS 100-310EG	294	81.6	135	2900	137.7	78.5	13.7	185	325
	367	102	123		153.8	80			
	440	122.2	105		164	76.8			
	268	74.4	116		108	78.3			
335	93	106	121.4	79.6					
402	111.7	92	131	77					
242	67.2	98	82.7	78.1	10.7	110	278		
302	83.9	90	93.5	79.3					
363	100.8	80	102.5	77.2					
182	50.5	82	52.8	77				9.2	90
227	63.7	74	70.7	78.3					
333	92.4	65.5	78.1	76					
SBS 100-310FG	226	62.8	130	2900	105	76.5	10.2		
	283	78.5	119		117.4	78			
	340	94.4	105		128.5	75.5			
	208	57.8	111		81.8	76.3		9.5	110
260	72.2	103	93.7	77.6					
310	86.1	90	100	76					
200	55.6	92	65.8	76.1	9.0	90	278		
250	69.3	84	73.8	77.3					
300	83.3	74	80.5	75					
187	52	78	53.1	75				8.5	75
234	65	69	57.1	77					
281	78.1	60	61.2	75					

主要外型尺寸 pump outline size

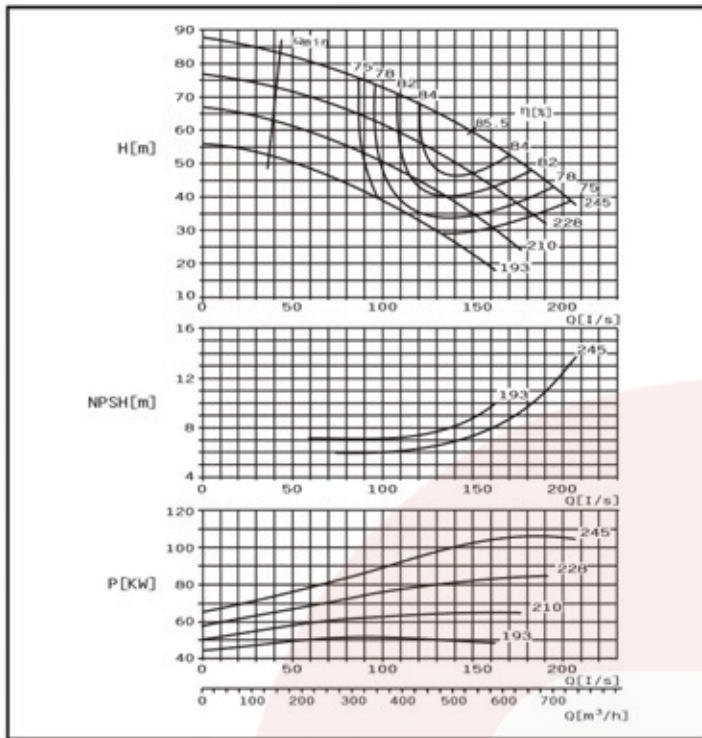
泵型号 type	法兰尺寸 flange size										泵尺寸 pump size					泵重量W.T		
	进口法兰 inlet flange					出口法兰 outlet flange					a1	a2	f	h5≤	12	z <sup>1)</sup>	净重N.T	湿重G.T
	DN1	S1	K	D	n-φd	DN2	S2	K	D	n-φd								
100-250	150	28	240	285	8-φ22	100	24	180	220	8-φ17.5	330	330	385	760	300	390	210	230
100-310																450	225	250

电机尺寸——Y型电机 Motor size(2极)

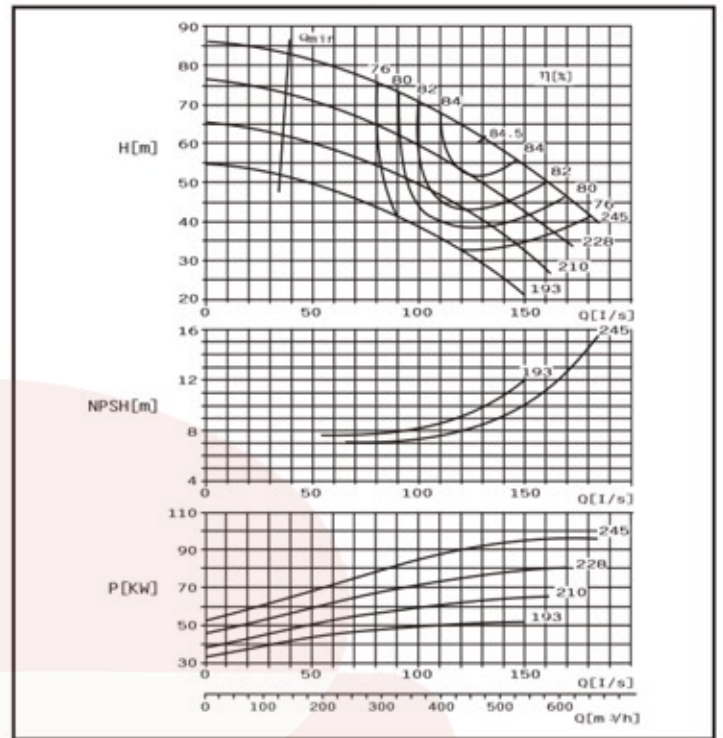
泵型号 Type	电机 Motor		b2	h4	h6	h7	l3	l4	l5	i	q	电机重量(kg) Motor W · T	底座参考 重量(kg) Baseplate W · T	地脚螺栓 anchor bolt
	型号 Type	功率 Power (kW)												
100-310	100-250	200L	37	400	305	475	750	1190	495	70	775	255	100	6- M20×400
		225M	45				780	1210	505		815	308		
		250M	55				825	1320	560		930	403		
		280S	75				860	1390	595		1000	544		
		280M	90					1440	620		1050	577		
		315S	110				508	1480	640		85	1240		
	315M	132	1530	665	1310	1080								
	315L	160/185	1560	680	1310	1220								
									190					



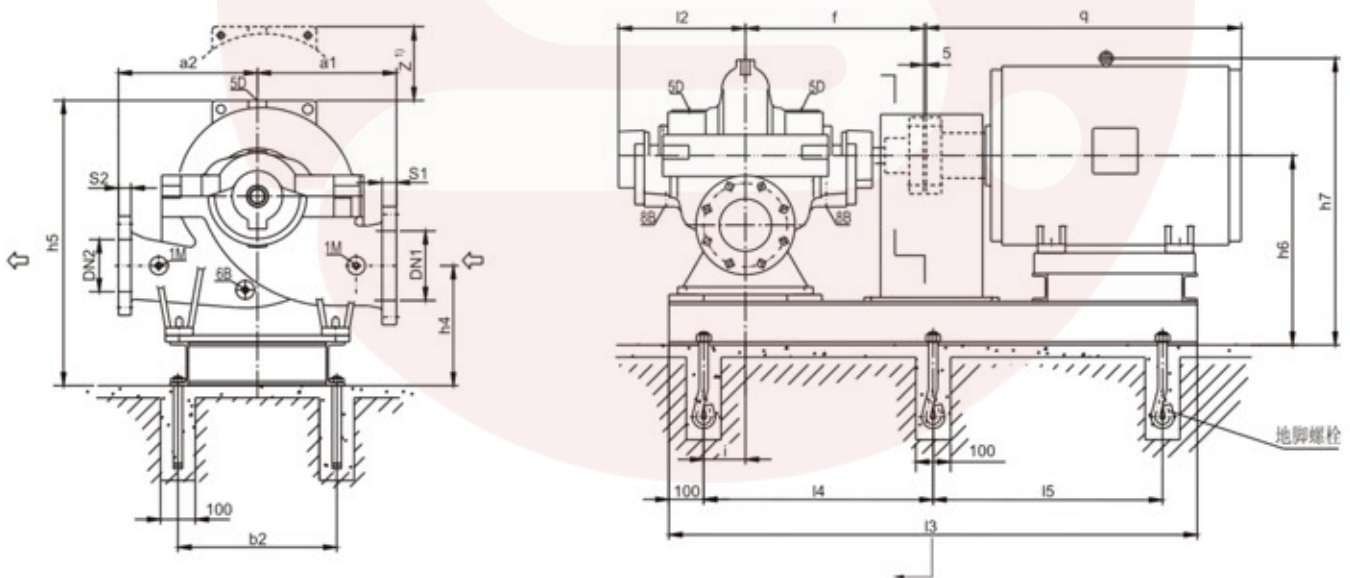
SBS125-230 EG特性曲线 n=2900r/min



SBS125-230 FG特性曲线 n=2900r/min



SBS卧式泵安装尺寸图 Installing dimensions of SBS pumps



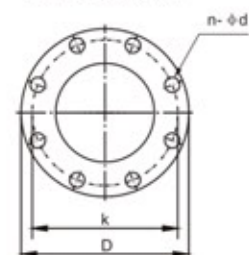
连接尺寸 connection dimensions:

- 1M 压力表Rp1/2    1M pressure gauge Rp1/2
- 6B 排液孔Rp1/2    6B drain plug Rp1/2
- 5D 排气孔Rp1/2    5D air vent Rp1/2
- 8B 漏液排出孔Rp3/4    8B drain plug Rp3/4

Z<sup>1)</sup> 拆卸转子所需最小空间尺寸

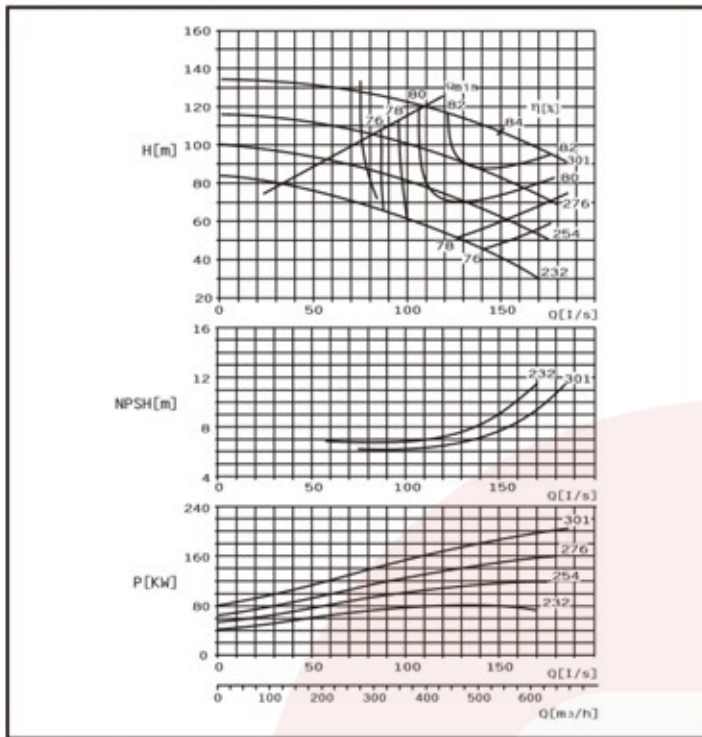
Z<sup>1)</sup> Min. dimensions of disassembling rotor assembly

法兰钻孔示意图

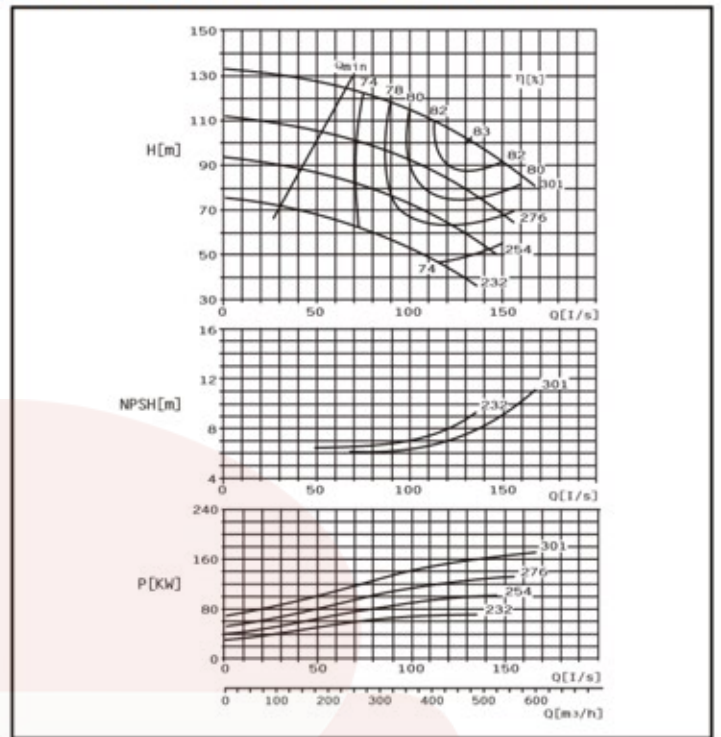




SBS125-290 EG特性曲线 n=2900r/min



SBS125-290 FG特性曲线 n=2900r/min



参数表 Standard performance

泵型号 Type	流量 Capacity Q		扬程 Head m	转速 Speed r/min	轴功率 Shaft power kW	效率 eff η %	有效汽 蚀余量 NPSHa m	电机功率 Motor power kW	叶轮参 考直径 D(mm)
	m³/h	l/s							
SBS 125-230EG	426	118.4	68	2900	93.8	84.2	9.9	110	245
	541	150.3	60		101.8	85.5			
	639	177.6	48		101.9	82			
	392	108.8	60		78.1	82	10.1	90	228
	490	136.1	52		82.1	84			
	585	163.2	43.5		84.4	82.5			
363	100.8	50	63.4	78	10.3	75	210		
454	126	43.5	65.1	82					
544	151.2	35	66.6	78					
340	94.4	40	49.4	75	10.7	55	193		
425	118	34	50.8	77					
489	135.7	30	52.5	76					
SBS 125-230FG	377	104.8	68	2900	84.2	83	12.1	110	245
	472	131	60.5		92	84.5			
	566	157.2	55		101.5	83.6			
	349	96.9	60		70.3	81	11.8	90	228
	436	121	53		74.8	84			
	523	145.2	44		77.2	81.2			
	328	91.2	52		60.1	77.5	11.9	75	210
	410	114	45		61.3	82			
	493	136.7	37		63.3	78.4			
	305	84.8	42.5		47.1	75	12.0	55	193
	382	106	37		49.9	77			
	458	127.2	30		49.9	75			

参数表 Standard performance

泵型号 Type	流量 Capacity Q		扬程 Head m	转速 Speed r/min	轴功率 Shaft power kW	效率 eff η %	有效汽 蚀余量 NPSHa m	电机功率 Motor power kW	叶轮参 考直径 D(mm)
	m³/h	l/s							
SBS 125-290EG	428	118.8	117	2900	166	82	10.9	200	301
	535	148.5	108		187	84			
	640	178.3	94		197	83			
	397	110.3	97		131	80	10.7	160	276
	497	138	88		145	82			
	596	165.6	75		153	79.5			
363	100.8	80	101	78.3	10.5	132	254		
454	126	72	111	80					
544	151.2	62	117	78.8					
323	89.6	65	74.7	76.5	10.4	90	232		
403	112	57	80.2	78					
484	134.4	47	80.5	77					
SBS 125-290FG	383	106.4	113	2900	145	81.6	10.9	185	301
	480	133.3	100		157	83			
	575	159.6	85.5		166	80.5			
	348	96.7	93.5		112	79.5	10.5	132	276
	436	121	83.5		121	82			
	523	145.2	70		128	79			
	308	85.6	78		84.5	77.5	10.1	110	254
	385	107	70		93	79			
	462	128.3	60		96.9	78			
	274	76	60		59.6	75	10.0	75	232
	342	95	55		67.4	76			
	410	114	47		70	75			

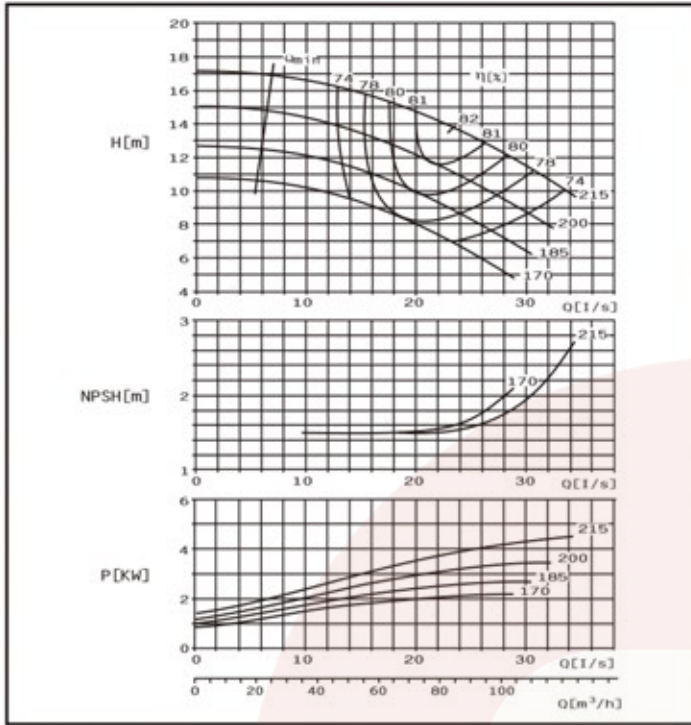
主要外型尺寸 pump outline size

泵型号 type	法兰尺寸 flange size										泵尺寸 pump size					泵重量W.T		
	进口法兰 inlet flange					出口法兰 outlet flange					a1	a2	f	h5≤	12	z <sup>1)</sup>	净重N.T	湿重G.T
	DN1	S1	K	D	n-φd	DN2	S2	K	D	n-φd								
125-230	200	30	295	340	12-φ22	125	26	210	250	8-φ17.5	370	370	515	825	366	420	250	285
125-290																460	275	315

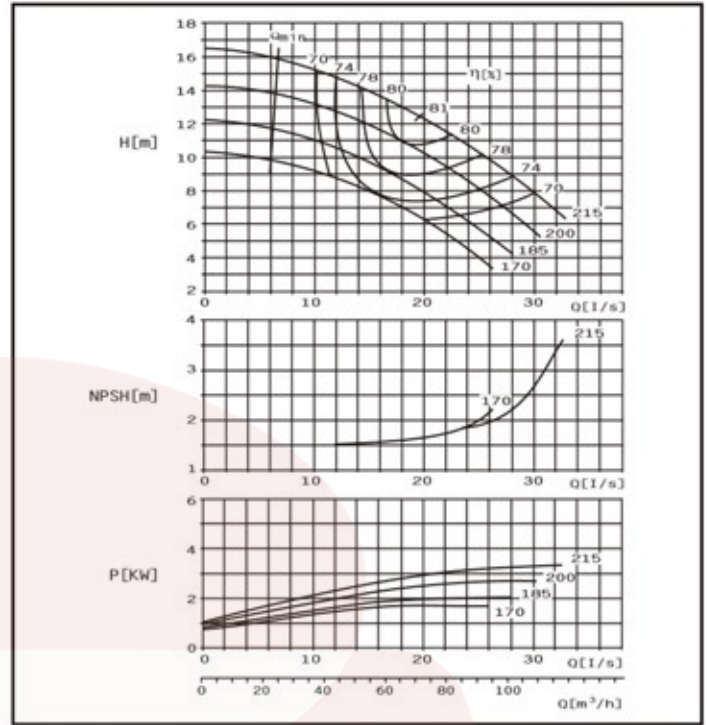
电机尺寸——Y型电机 Motor size(2极)

泵型号 Type	电机Motor		b2	h4	h6	h7	l3	l4	l5	i	q	电机重量(kg) Motor W · T	底座参考 重量(kg) Baseplate W · T	地脚螺栓 anchor bolt						
	型号 Type	功率Power (kW)																		
125-290	125-290	250M	55	450	320	520	845	1440	620	105	930	403	110	6- M20×400						
		280S	75												457	905	1520	660	1000	544
		280M	90														1580	690	1050	577
		315S	110												508	345	545	1095	120	1240
	315M	132	1620	710	1240	980														
	315L	160/200	1670	735	1310	1080														
			1700	750	1310	1220														

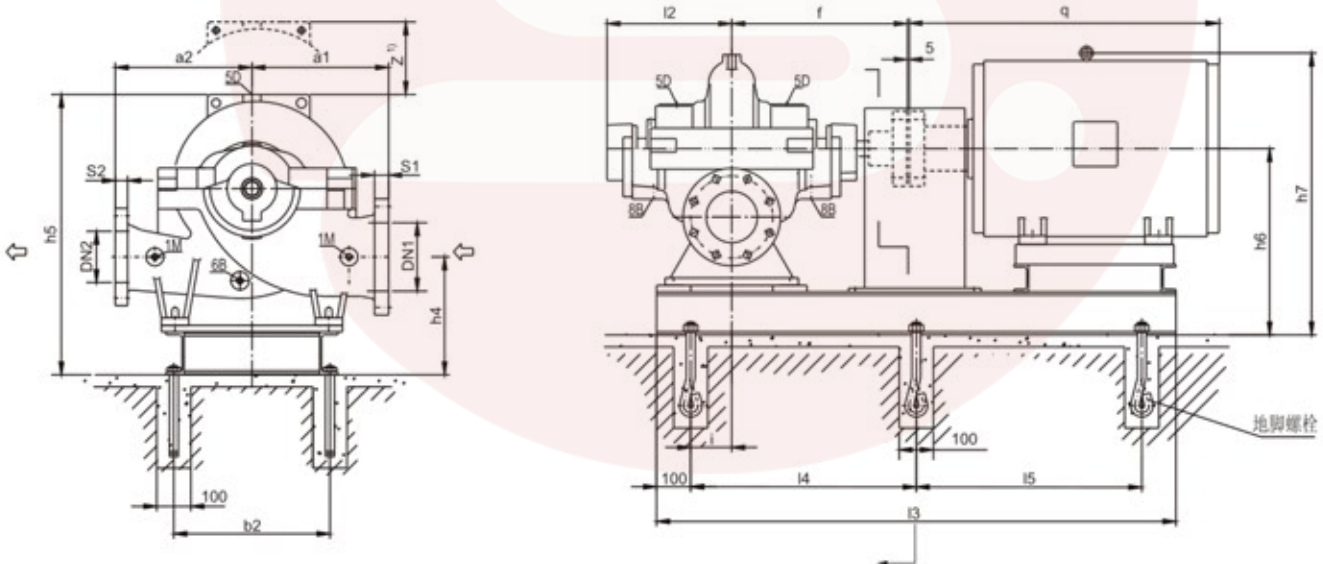
SBS80-210 E特性曲线 n=1450r/min



SBS80-210 F特性曲线 n=1450r/min



SBS卧式泵安装尺寸图 Installing dimensions of SBS pumps



连接尺寸 connection dimensions:

1M 压力表Rp1/2 1M pressure gauge Rp1/2

6B 排液孔Rp1/2 6B drain plug Rp1/2

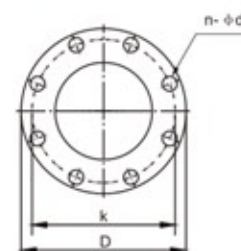
5D 排气孔Rp1/2 5D air vent Rp1/2

8B 漏液排出孔Rp3/4 8B drain plug Rp3/4

Z<sup>1)</sup> 拆卸转子所需最小空间尺寸

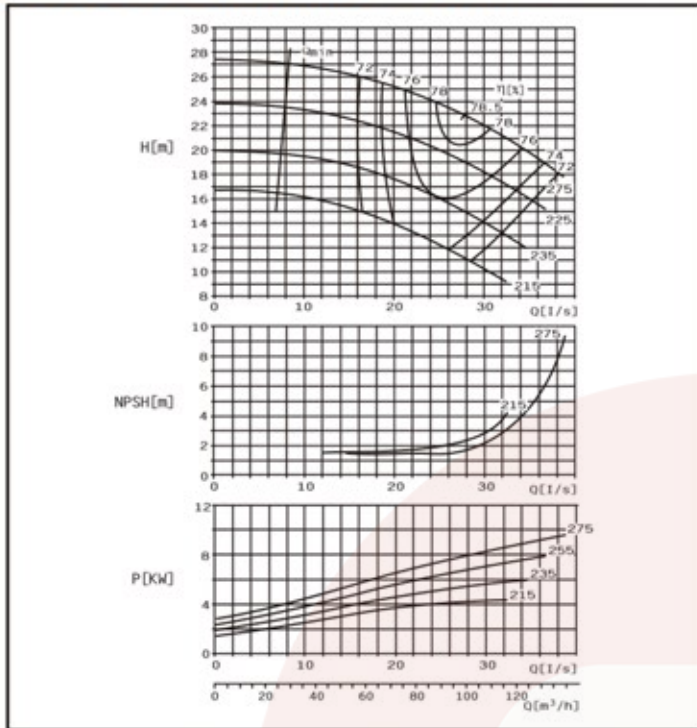
Z<sup>1)</sup> Min. dimensions of disassembling rotor assembly

法兰钻孔示意图

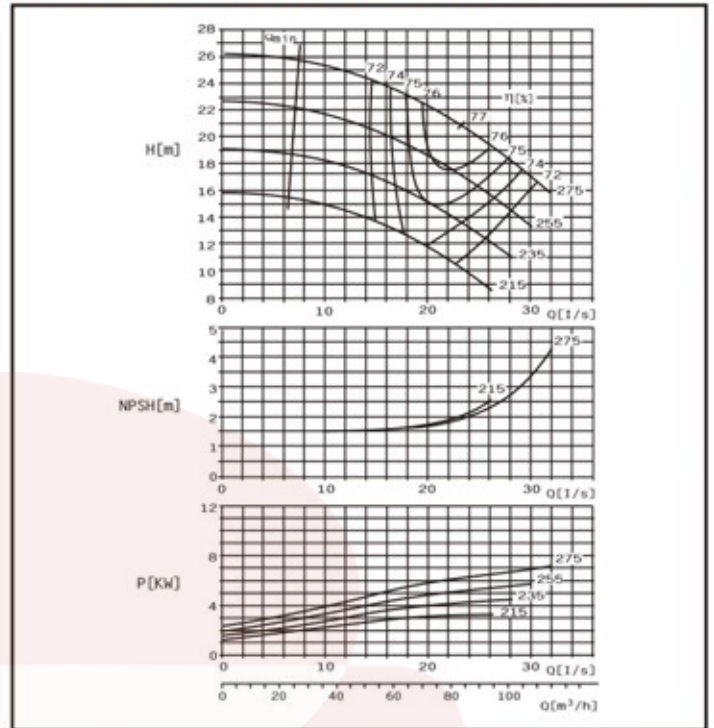




SBS80-270 E特性曲线 n=1450r/min



SBS80-270 F特性曲线 n=1450r/min



参数表 Standard performance

泵型号 Type	流量 Capacity Q	扬程 Head m	转速 Speed r/min	轴功率 Shaft power kW	效率 eff η	有效汽 蚀余量 NPSHa m	电机功率 Motor power kW	叶轮参 考直径 D(mm)
SBS 80-210E	66 83 100	18.3 23.1 27.8	15 13.8 12.2	3.4 3.8 4.2	80.5 82 79.5	2.1	5.5	215
	61 76 90	16.9 21.1 25	13 11.8 10.5	2.7 3.0 3.3	79 81 79.7	2.1	4.0	200
	58 72 87	16.1 20 24.2	11 9.8 8.7	2.2 2.4 2.6	78 80.5 78	2.1	3.0	185
	55 69 83	15.3 19.2 23.1	9.1 8.2 7	1.8 2.0 2.1	76 78 75	2.1	3.0	170
	52 65 78	14.5 18.1 21.7	14.2 12.8 10.0	2.6 2.8 3.1	78 81 80.2	2.2	4.0	215
	52 64 77	14.4 17.8 21.4	12 11.8 11.7	2.1 2.6 3.1	78.5 80 78	2.1	4.0	200
SBS 80-210F	50 60 73	13.9 17 20.3	10 9 7.8	1.8 1.9 2.0	76 78 76.2	2.1	3.0	185
	47 58 70	13.1 16.1 19.4	8.7 7.6 6.5	1.5 1.6 1.8	70 74 71	2.1	2.2	170

参数表 Standard performance

泵型号 Type	流量 Capacity Q	扬程 Head m	转速 Speed r/min	轴功率 Shaft power kW	效率 eff η	有效汽 蚀余量 NPSHa m	电机功率 Motor power kW	叶轮参 考直径 D(mm)
SBS 80-270E	83 104 125	23.1 28.9 34.7	24 22.5 19.5	7.0 8.1 8.8	77.5 78.5 75	2.8	11	275
	80 99 120	22.2 27.8 33.3	21.3 19 17	6.1 6.6 7.4	75 78.5 74.5	2.7	11	255
	72 90 108	20 25 30	17.5 16 13.7	4.6 5.2 5.4	74.5 76 74	2.5	7.5	235
	67 84 100	18.6 23.3 27.8	13.8 13 11.5	3.4 4.0 4.3	74 75 73.2	2.5	5.5	215
	68 85 102	18.9 23.6 28.3	23.1 20.7 18.2	5.7 6.2 6.7	75.8 77 75.4	2.4	7.5	275
	61 77 92	16.9 21.4 25.5	20 18.1 16	4.5 5.0 5.3	74.5 76 75	2.2	7.5	255
SBS 80-270F	58 72 86	16.1 20 23.9	16.5 15 13.2	3.5 3.9 4.2	73 75 74	2.1	5.5	235
	53 67 80	14.7 18.6 22.2	13.8 12.5 10.8	2.7 3.1 3.2	72 74 73	2.1	4.0	215

主要外型尺寸 pump outline size

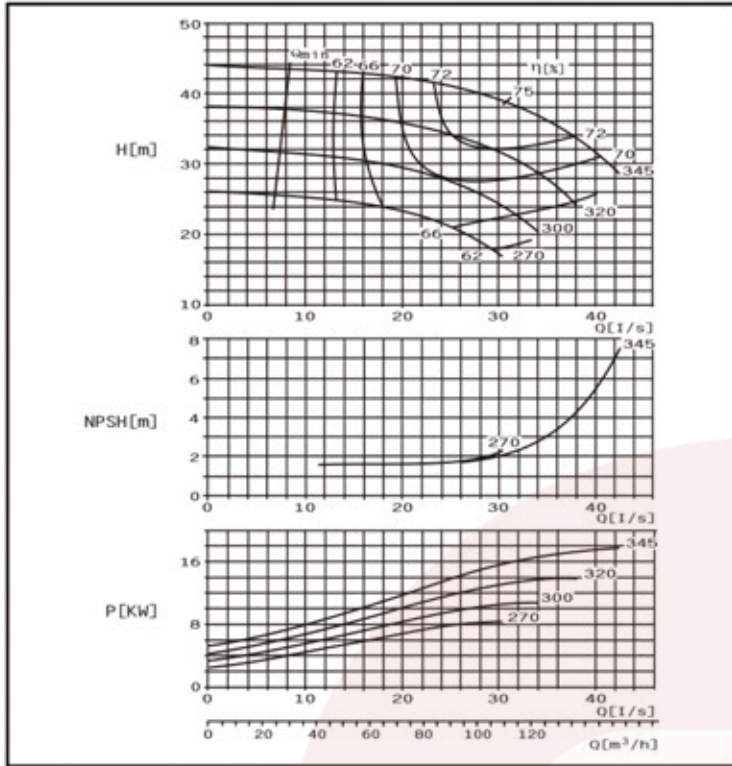
泵型号 type	法兰尺寸 flange size										泵尺寸 pump size					泵重量W.T		
	进口法兰 inlet flange					出口法兰 outlet flange					a1	a2	f	h5≤	12	z <sup>1)</sup>	净重N.T	湿重G.T
	DN1	S1	K	D	n-φd	DN2	S2	K	D	n-φd								
80-210	125	26	210	250	8-φ17.5	80	24	160	200	8-φ17.5	300	300	385	660	300	340	185	195
80-270																380	195	210

电机尺寸——Y型电机 Motor size(4极)

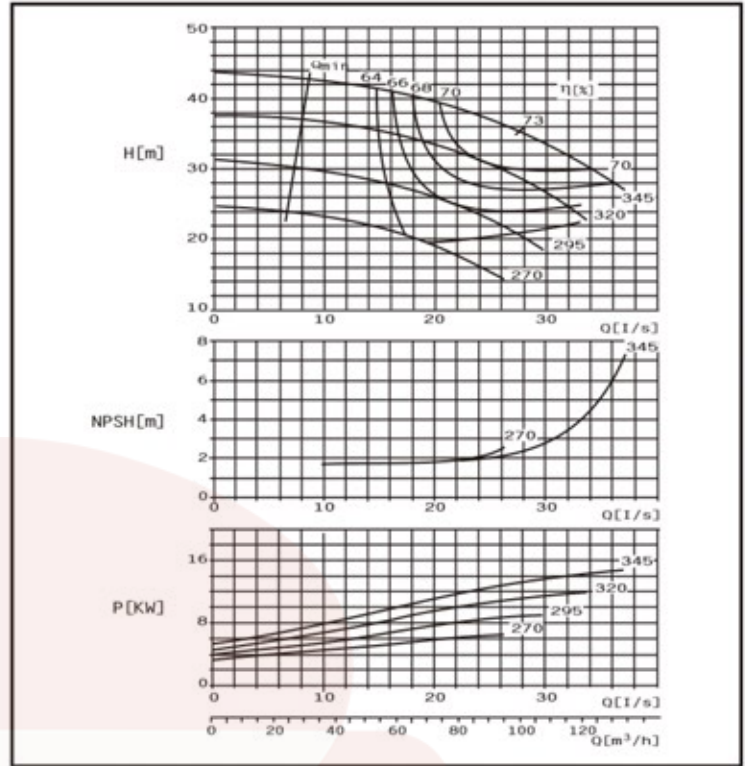
泵型号 Type	电机 Motor		b2	h4	h6	h7	l3	l4	l5	i	q	电机重量(kg) Motor W · T	底座参考 重量(kg) Baseplate W · T	地脚螺栓 anchor bolt
	型号 Type	功率 Power (kW)												
80-270	80-210	100L	2.2/3.0	340	295	435	580	880	340	70	380	39	70	6- M16×350
		112M	4.0				588	890	345		400	45		
		132S	5.5				618	930	365		475	72		
		132M	7.5								515	84		
		160M	11								660	1050		



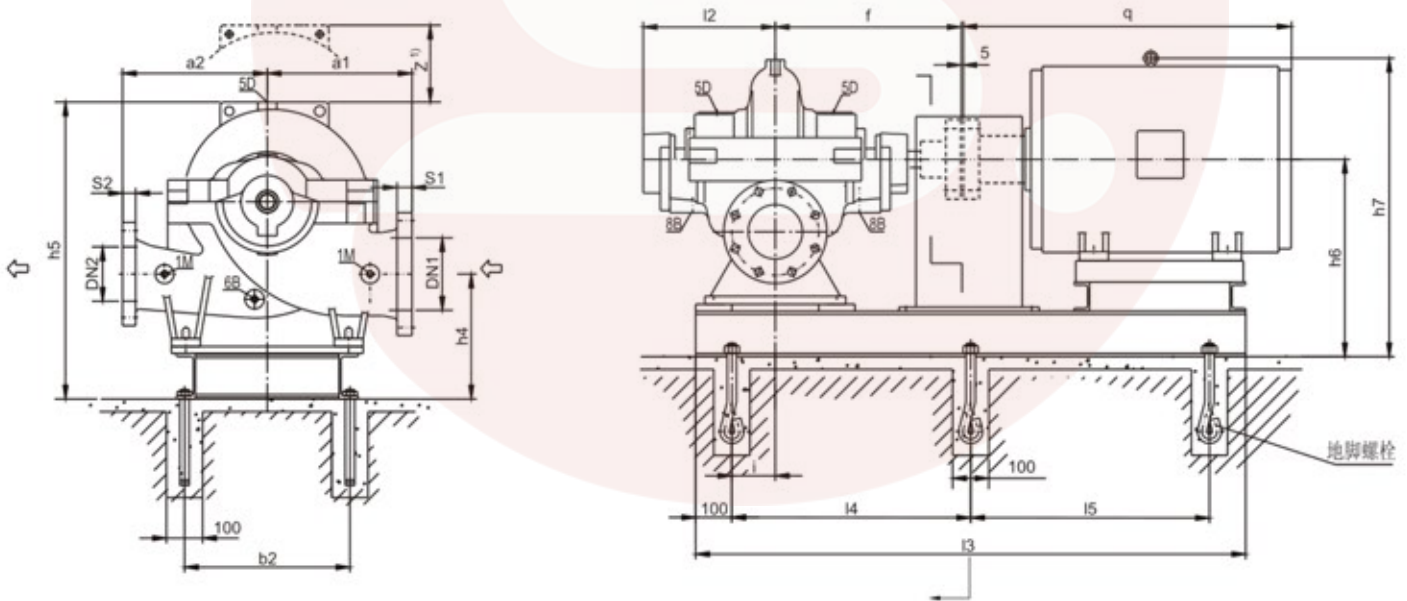
### SBS80-370 E特性曲线 n=1450r/min



### SBS80-370 F特性曲线 n=1450r/min



### SBS卧式泵安装尺寸图 Installing dimensions of SBS pumps



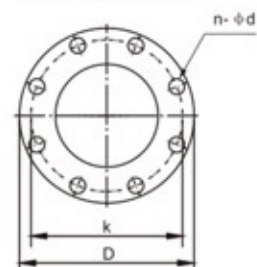
连接尺寸 connection dimensions:

- 1M 压力表Rp1/2    1M pressure gauge Rp1/2
- 6B 排液孔Rp1/2    6B drain plug Rp1/2
- 5D 排气孔Rp1/2    5D air vent Rp1/2
- 8B 漏液排出孔Rp3/4    8B drain plug Rp3/4

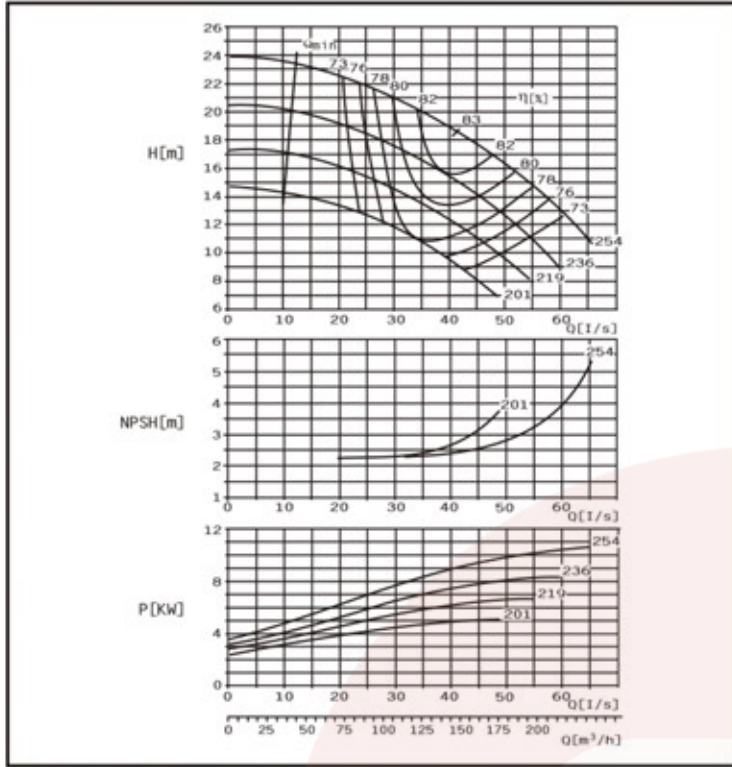
Z<sup>1)</sup> 拆卸转子所需最小空间尺寸

Z<sup>1)</sup> Min. dimensions of disassembling rotor assembly

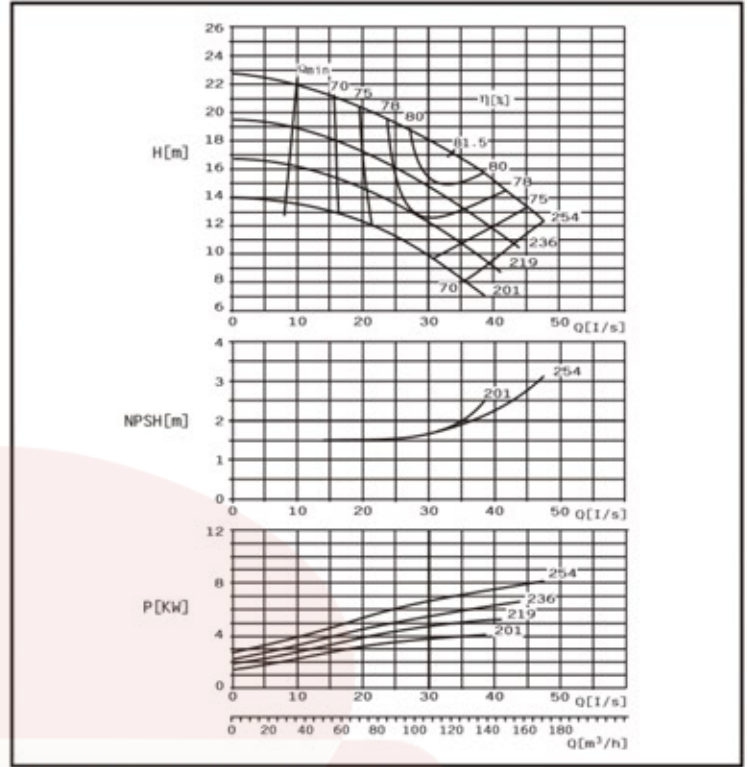
法兰钻孔示意图



SBS100-250 E特性曲线 n=1450r/min



SBS100-250 F特性曲线 n=1450r/min



参数表 Standard performance

泵型号 Type	流量 Capacity Q	扬程 Head m	转速 Speed r/min	轴功率 Shaft power kW	效率 eff η %	有效汽 蚀余量 NPSH <sub>a</sub> m	电机功率 Motor power kW	叶轮参 考直径 D(mm)			
	m³/h l/s										
SBS 80-370E	90	25	41	13.8	73	2.8	18.5	345			
	113	31.4	38.8	16.2	75						
	136	37.8	33.5	17.3	71.8						
	80	22.2	35.0	10.6	71						
	99	27.5	33	12.1	72.2						
	120	33.3	29.1	13.3	71						
SBS 80-370E	70	19.4	29.3	8.2	38.4	2.3	11	300			
	88	24.4	27.5	9.4	70						
	106	29.4	24.7	10.2	68.3						
	65	18.1	23.8	6.4	66				2.3	11	270
	81	22.5	22.5	7.4	67.5						
	98	27.2	20	8.0	65.5						
SBS 80-370F	80	22.2	38.8	11.8	71	3.0	18.5	345			
	99	27.5	35.5	13.1	73						
	120	33.3	31.1	14.3	71						
	72	20	34.1	9.7	69				2.6	15	320
	90	25	30.8	10.8	70						
	108	30	26.3	11.4	68						
60	16.7	27.5	7.0	64.5	2.3	11	295				
76	21.1	25.5	8.0	66							
90	26	22.5	8.5	65.2							
53	14.7	21.3	4.9	63				2.3	7.5	270	
67	18.6	20	5.7	64							
80	22.2	17.5	6.0	63							

参数表 Standard performance

泵型号 Type	流量 Capacity Q	扬程 Head m	转速 Speed r/min	轴功率 Shaft power kW	效率 eff η %	有效汽 蚀余量 NPSH <sub>a</sub> m	电机功率 Motor power kW	叶轮参 考直径 D(mm)			
	m³/h l/s										
SBS 100-250E	115	31.9	21.2	8.2	80.7	2.9	11	254			
	144	40	18.8	8.9	83						
	173	48.1	17.5	10	81.7						
	112	31	17.5	6.7	79				2.9	11	236
	140	38.8	15.8	7.4	81						
	167	46.5	13.2	7.7	77						
100	27.8	14.5	5.1	77.8	2.9	7.5	219				
126	35	13.5	5.9	79							
150	41.7	11.9	6.3	77.6							
97	26.8	12.2	4.2	75.5				2.9	7.5	201	
120	33.8	11.2	4.7	77.5							
145	40.2	9.5	5.0	75.5							
SBS 100-250F	98	27.2	18.8	6.2	80.5	2.4	11				254
	122	33.9	17	7.0	81.5						
	147	40.8	15	7.6	79.5						
	90	25	16.3	5.1	78			2.3	7.5	236	
	112	31.2	14.5	5.6	79.5						
	135	37.4	12.7	6.0	77.2						
85	23.6	13.7	4.1	77	2.2	7.5	219				
106	29.4	12.5	4.7	78							
128	35.6	11.3	5.3	76							
75	20.8	12.1	3.3	75				2.1	5.5	201	
94	26.1	11	3.7	76							
113	31.4	9.6	3.9	75.2							

主要外型尺寸 pump outline size

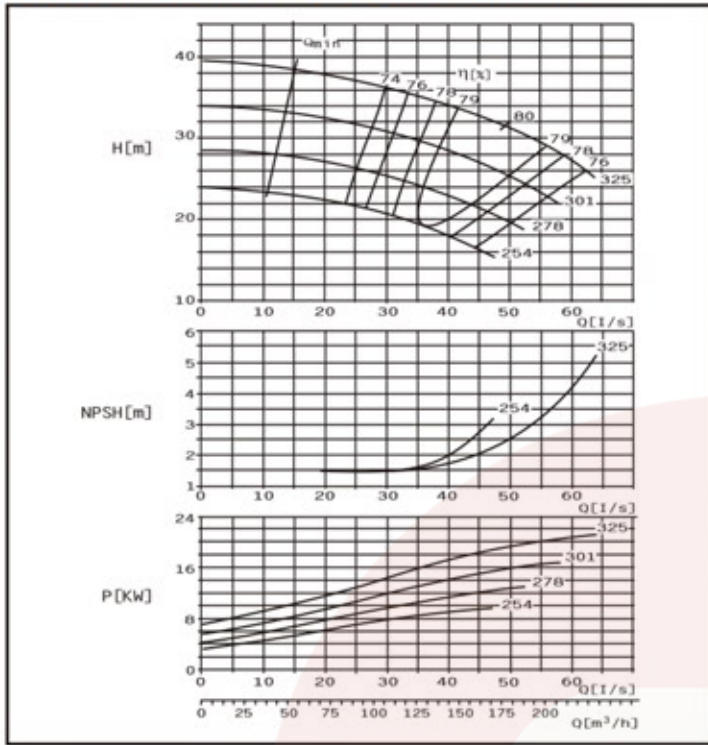
泵型号 type	法兰尺寸 flange size										泵尺寸 pump size					泵重量W.T		
	进口法兰 inlet flange					出口法兰 outlet flange					a1	a2	f	h5≤	12	z <sup>1)</sup>	净重N.T	湿重G.T
	DN1	S1	K	D	n-φd	DN2	S2	K	D	n-φd								
80-370	125	26	210	250	8-φ17.5	80	24	160	200	8-φ17.5	330	330	385	660	300	450	205	225
100-250	150	28	240	285	8-φ22	100	24	180	220	8-φ17.5	330	330	385	760	300	390	210	230

电机尺寸——Y型电机 Motor size(4极)

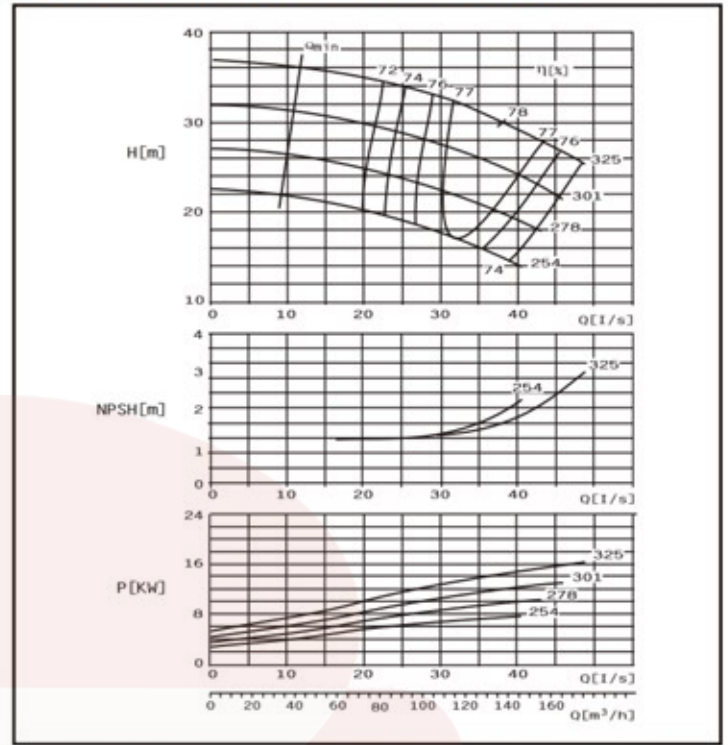
泵型号 Type	电机Motor		b2	h4	h6	h7	l3	l4	l5	i	q	电机重量(kg) Motor W · T	底座参考 重量(kg) Baseplate W · T	地脚螺栓 anchor bolt
	型号 Type	功率Power (kW)												
80-370	132M	7.5	340	295	435	618	970	385	70	515	84	80	6- M16×350	
	160M	11												
	160L	15												
	180M	18.5												
	180L	22												
100-250	132S	5.5	400	305	475	658	930	365	70	475	72	80	6- M20×400	
	132M	7.5												
	160M	11												
	1060	430												
	700	1100												450



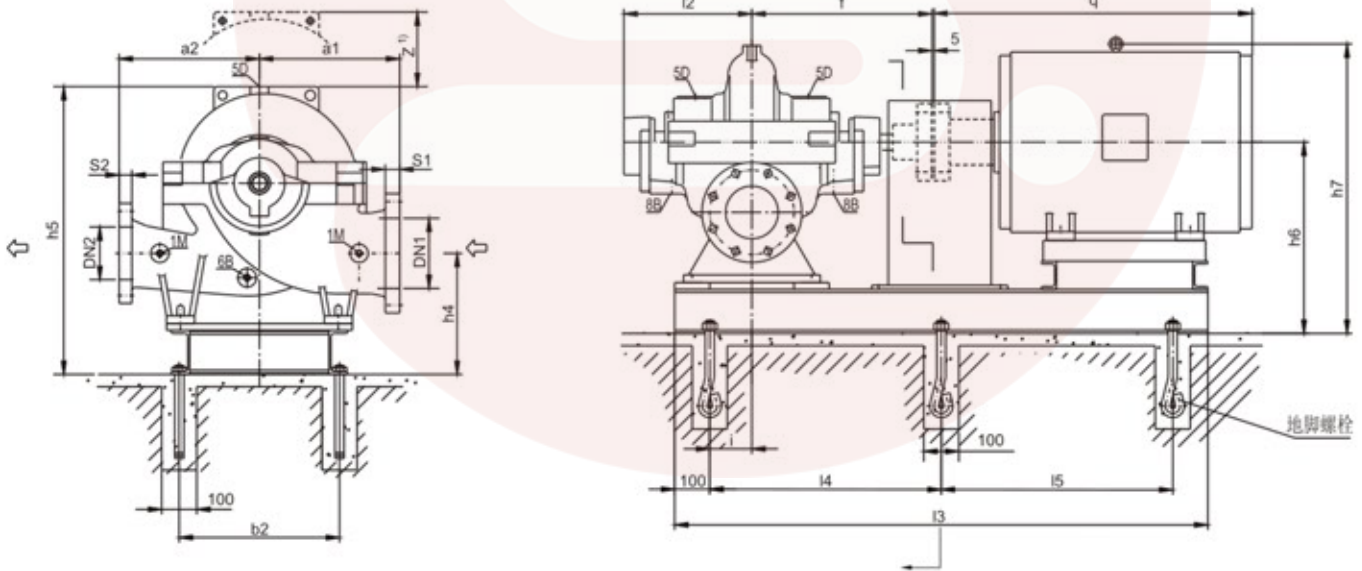
SBS100-310 E特性曲线 n=1450r/min



SBS100-310 F特性曲线 n=1450r/min



SBS卧式泵安装尺寸图 Installing dimensions of SBS pumps



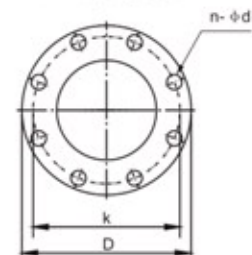
连接尺寸 connection dimensions:

- 1M 压力表Rp1/2      1M pressure gauge Rp1/2
- 6B 排液孔Rp1/2      6B drain plug Rp1/2
- 5D 排气孔Rp1/2      5D air vent Rp1/2
- 8B 漏液排出孔Rp3/4      8B drain plug Rp3/4

Z<sup>1)</sup> 拆卸转子所需最小空间尺寸

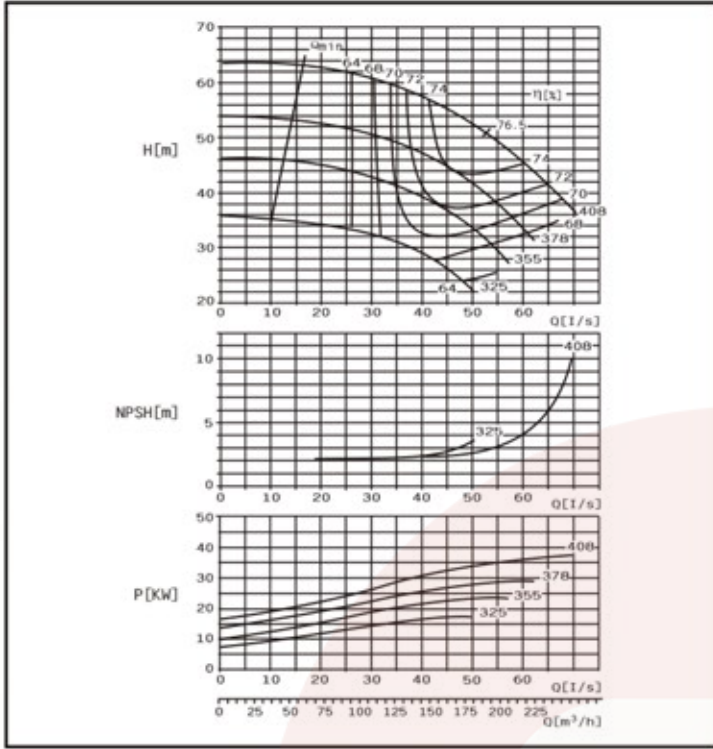
Z<sup>1)</sup> Min. dimensions of disassembling rotor assembly

法兰钻孔示意图

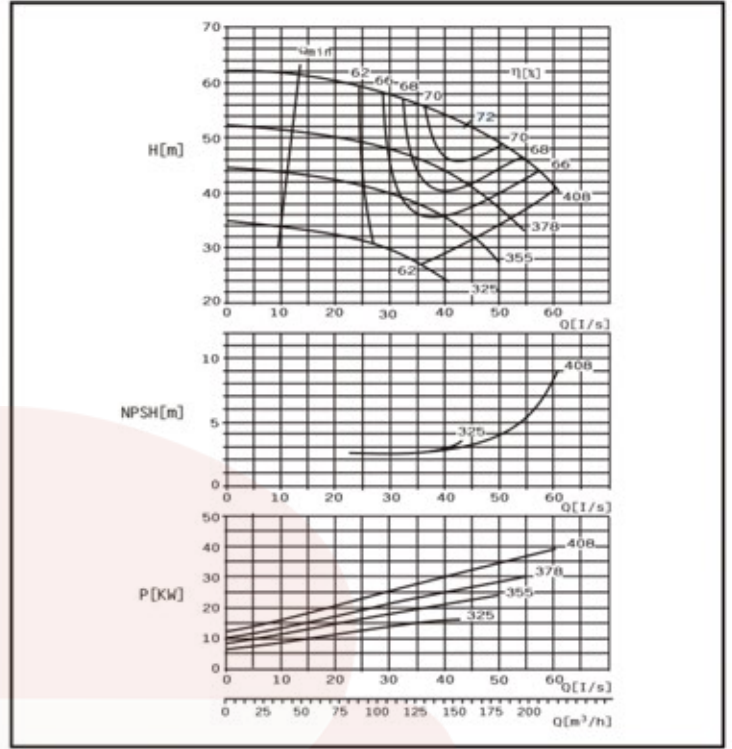




SBS100-375 E特性曲线 n=1450r/min



SBS100-375 F特性曲线 n=1450r/min



参数表 Standard performance

泵型号 Type	流量 Capacity Q		扬程 Head m	转速 Speed r/min	轴功率 Shaft power kW	效率 eff η %	有效汽 蚀余量 NPSHa m	电机功率 Motor power kW	叶轮参 考直径 D(mm)		
	m³/h	l/s									
SBS 100-310E	148	41.1	34	1450	17.4	78.5	3.1	22	325		
	185	51.3	31		19.6	80		30			
	222	61.7	26.8		21	77.5					
	133	36.8	29.3		13.4	79		2.7		18.5	301
	166	46.1	27		15.3	79.6					
	200	55.6	24.3		17	77.4					
120	33.3	24.8	10.5	78	2.5	15	278				
151	41.9	22.5	11.7	79.3							
180	50	20	12.8	77.4							
SBS 100-310F	112	31.2	20.2	1450	7.9	77.8	2.3	11	254		
	140	38.9	18.5		9.0	79					
	162	44.9	16.2		9.2	78					
	112	31.2	32.5		13	76.6		2.7		18.5	325
	140	38.9	29.5		14.1	78					
	168	46.7	26		15.6	74					
106	29.4	27.5	10.4	76.6	2.5	15	301				
133	37	25.5	11.6	77.6							
160	44.4	22	12.8	75							
100	27.8	23	8.2	76.2	2.4	11	278				
124	34.4	21.2	9.0	77.3							
150	41.7	18	9.8	75							
94	26.1	19.4	6.5	76.5	2.3	11	254				
117	32.5	17	6.9	77							
140	38.9	15	7.6	76							

参数表 Standard performance

泵型号 Type	流量 Capacity Q		扬程 Head m	转速 Speed r/min	轴功率 Shaft power kW	效率 eff η %	有效汽 蚀余量 NPSHa m	电机功率 Motor power kW	叶轮参 考直径 D(mm)		
	m³/h	l/s									
SBS 100-375E	148	41.1	67	1450	31.4	73	3.0	45	408		
	185	51.4	61		33.5	76.5		30			
	220	61.1	44		35.6	74					
	133	36.9	47.3		24.5	71		2.7		37	378
	167	46.4	46		28.3	74					
	200	55.6	38		29.2	72.3					
124	34.4	41	20.3	67.5	2.5	30	355				
155	43.1	38	22.6	71							
186	51.7	31	23.1	68							
108	30	32.5	14.4	66.3	2.1	18.5	325				
135	37.5	30.3	14.5	69							
162	45	25.3	16.8	66.5							
SBS 100-375F	130	36.1	56.2	1450	28.4	70	3.6	37	408		
	162	45	52		31.4	72		30			
	195	54.2	45.8		35.9	67.5					
	114	31.7	47.5		22.2	66.5		3.3		30	378
	142	39.4	44		23.7	69					
	170	47.2	39		27.3	66.5					
105	29.2	40	17.7	64.5	3.0	30	355				
130	36.1	37.5	18.8	66.5							
157	43.6	32.5	21.7	64							
92	25.6	30.8	12.7	61	2.7	18.5	325				
115	31.9	28.7	14.3	63							
138	38.3	25	15.4	61.2							

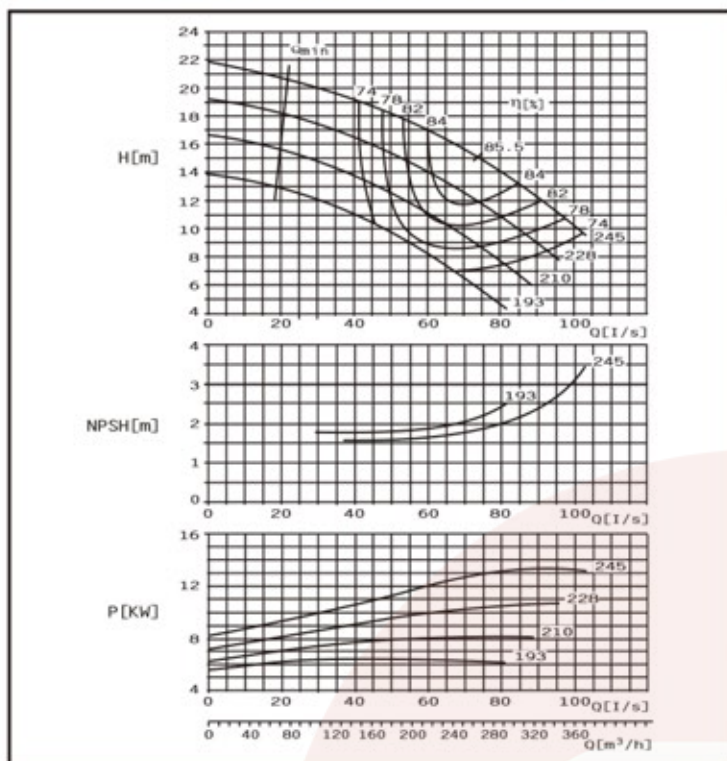
主要外型尺寸 pump outline size

泵型号 type	法兰尺寸 flange size									泵尺寸 pump size					泵重量W.T			
	进口法兰 inlet flange					出口法兰 outlet flange				a1	a2	f	h5≤	12	z <sup>1)</sup>	净重N.T	湿重G.T	
	DN1	S1	K	D	n-φd	DN2	S2	K	D									n-φd
100-310	150	28	240	285	8-φ22	100	24	180	220	8-φ17.5	330	330	385	760	300	450	225	250
100-375	150	28	240	285	8-φ22	100	24	180	220	8-φ17.5	370	370	385	760	300	520	245	275

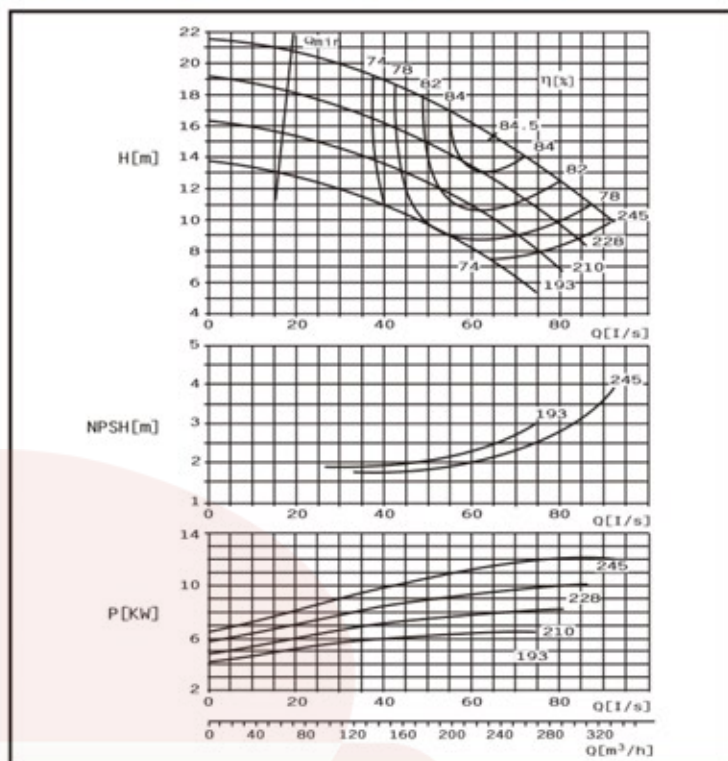
电机尺寸——Y型电机 Motor size (4极)

泵型号 Type	电机Motor		b2	h4	h6	h7	l3	l4	l5	i	q	电机重量(kg) Motor W · T	底座参考 重量(kg) Baseplate W · T	地脚螺栓 anchor bolt	
	型号 Type	功率Power (kW)													
100-375	100-310	160M	11	400	305	475	700	1060	430	70	605	130	100	6- M20×400	
		160L	15								650	145			
		180M	18.5								670	180			
		180L	22								725	1140	470		110
		200L	30								750	1190	495		
		225S	37								780	1220	510		
	225M	45	1240	520	845	320	190								

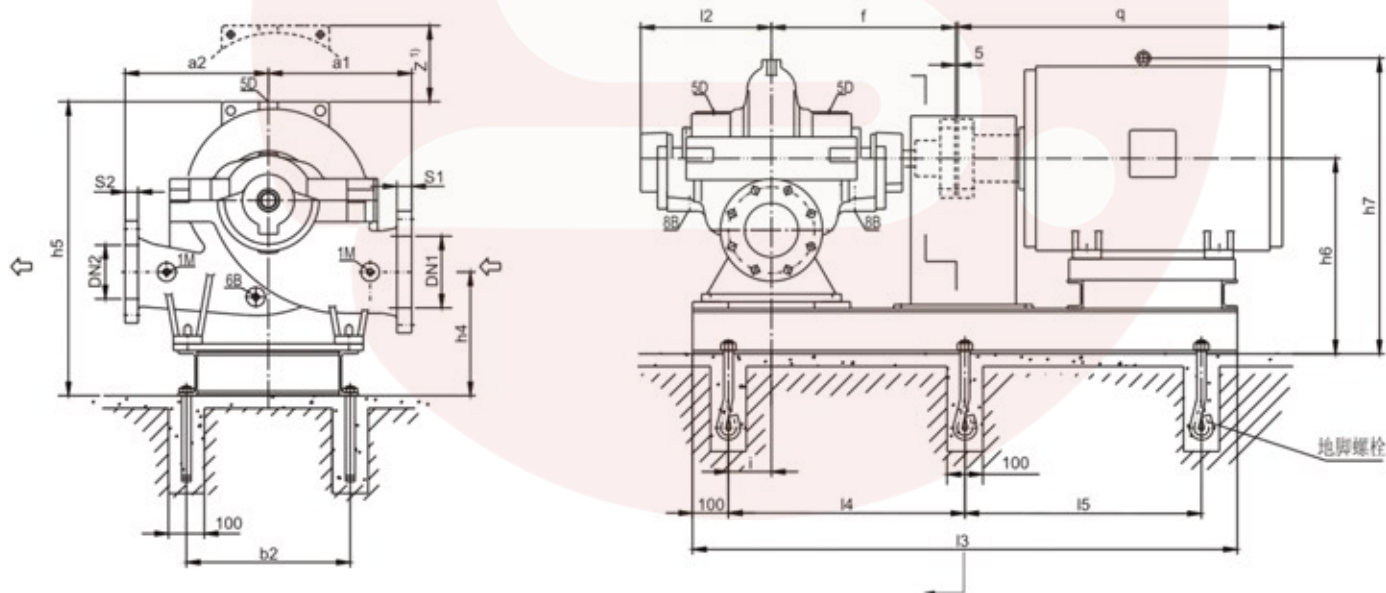
SBS125-230 E特性曲线 n=1450r/min



SBS125-230 F特性曲线 n=1450r/min



SBS卧式泵安装尺寸图 Installing dimensions of SBS pumps



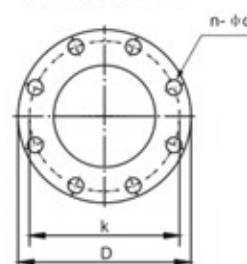
连接尺寸 connection dimensions:

- |               |                         |
|---------------|-------------------------|
| 1M 压力表Rp1/2   | 1M pressure gauge Rp1/2 |
| 6B 排液孔Rp1/2   | 6B drain plug Rp1/2     |
| 5D 排气孔Rp1/2   | 5D air vent Rp1/2       |
| 8B 漏液排出孔Rp3/4 | 8B drain plug Rp3/4     |

Z<sup>1)</sup> 拆卸转子所需最小空间尺寸

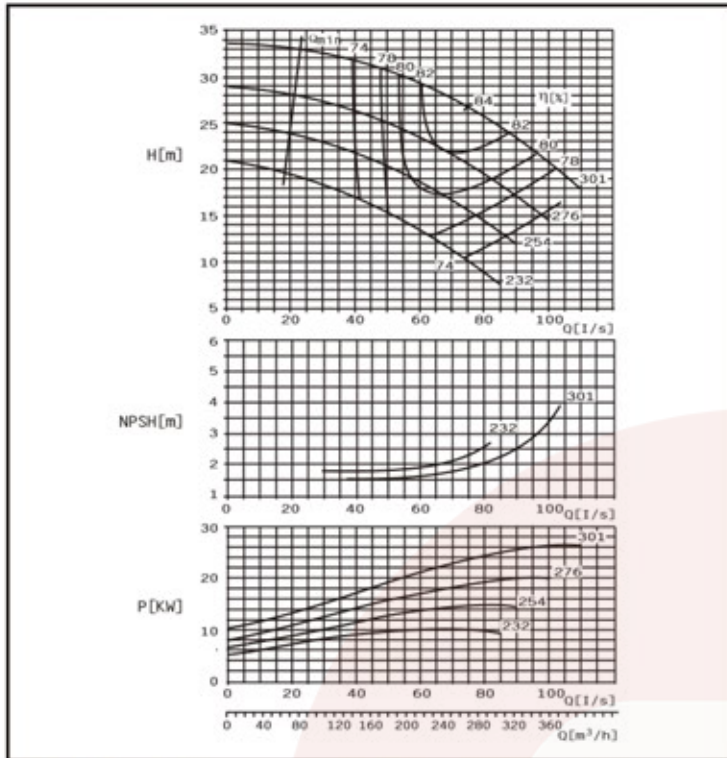
Z<sup>1)</sup> Min. dimensions of disassembling rotor assembly

法兰钻孔示意图

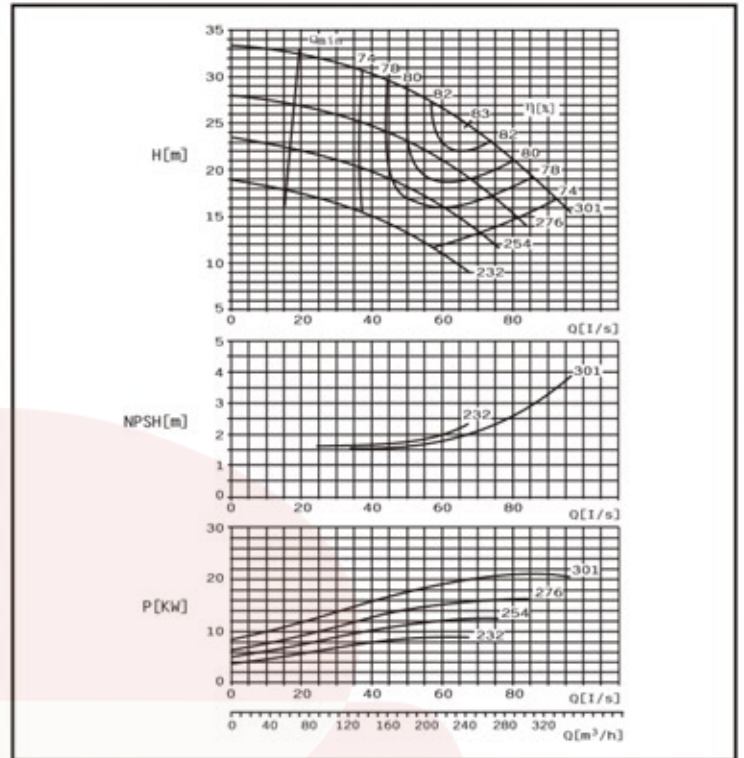




SBS125-290 E特性曲线 n=1450r/min



SBS125-290 F特性曲线 n=1450r/min



参数表 Standard performance

泵型号 Type	流量 Capacity Q	扬程 Head m	转速 Speed r/min	轴功率 Shaft power kW	效率 eff η	有效汽 蚀余量 NPSH <sub>a</sub> m	电机功率 Motor power kW	叶轮参 考直径 D(mm)
	m³/h l/s							
SBS 125-230E	220 274 328	61.1 76.1 91.1	17 12	12.1 12.9 13.1	84 85.5 82	2.3	15	245
	193 241 290	53.6 66.9 80.5	15 13.2 10.8	9.7 10.3 10.4	81 84.5 82	2.3	15	228
	184 230 277	51.1 63.9 76.9	12.6 10.6 8.0	8.0 8.1 8.1	79.4 82.5 76	2.2	11	210
	167 209 250	46.4 58.1 69.4	10.3 8.7 6.8	6.4 6.4 6.3	73 77.5 73	2.2	7.5	193
	190 238 307	52.8 66.1 85.3	17 15.1 11.5	10.5 11.6 12.0	84.1 84.5 80	2.7	15	245
SBS 125-230F	170 212 255	47.2 58.9 70.8	13.5 11.4	8.6 9.3 9.7	81 84 82	2.7	11	228
	164 205 246	45.6 56.9 68.4	13.0 11.5 9.2	7.5 7.8 7.9	78 82 78	2.7	11	210
	156 195 223	43.2 54.2 61.9	10.5 9.1 7.7	5.9 6.2 6.3	75 78 74	2.7	7.5	193

参数表 Standard performance

泵型号 Type	流量 Capacity Q	扬程 Head m	转速 Speed r/min	轴功率 Shaft power kW	效率 eff η	有效汽 蚀余量 NPSH <sub>a</sub> m	电机功率 Motor power kW	叶轮参 考直径 D(mm)
	m³/h l/s							
SBS 125-290E	215 269 323	59.7 74.7 89.7	29.2 27 23.5	20.8 23.6 25.2	82.3 84 82	2.4	30	301
	195 243 292	54.2 67.5 81.1	24.4 22 19.6	16.1 17.8 19.5	80.3 82 80	2.4	22	276
	178 223 268	49.4 61.9 74.4	20 18 15.5	12.3 13.7 14.4	79 80 78.3	2.3	15 18.5	254
	161 202 242	44.7 56.1 67.2	16.3 14.2 11.8	9.3 10 10.2	77 78 76.2	2.3	15	232
	193 241 290	53.6 66.9 80.6	27.5 25 21.3	17.8 19.8 20.6	81 83 80	2.4	22	301
SBS 125-290F	174 218 261	48.3 60.6 72.5	23.4 21 17.5	13.9 15.2 16	80 82 78	2.3	18.5	276
	157 196 235	43.6 54.4 65.3	19 17.5 15	10.4 11.8 12.3	78 79 78	2.2	15	254
	138 173 207	38.3 48.1 57.5	15.1 13.7 11.3	7.7 8.5 8.6	74.3 76 74	2.2	11	232

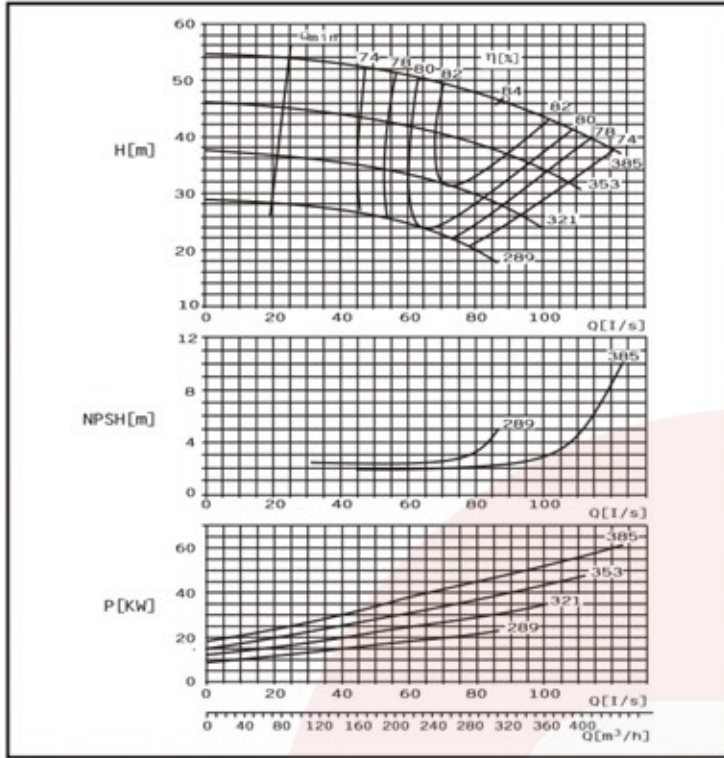
主要外型尺寸 pump outline size

泵型号 type	法兰尺寸 flange size										泵尺寸 pump size					泵重量W.T		
	进口法兰 inlet flange					出口法兰 outlet flange												
	DN1	S1	K	D	n-φd	DN2	S2	K	D	n-φd	a1	a2	f	h5≤	12	z <sup>1)</sup>	净重N.T	湿重G.T
125-230	200	30	295	340	12-φ22	125	26	210	250	8-φ17.5	370	370	515	825	366	420	250	285
125-290	200	30	295	340	12-φ22	125	26	210	250	8-φ17.5	370	370	515	825	366	460	275	315

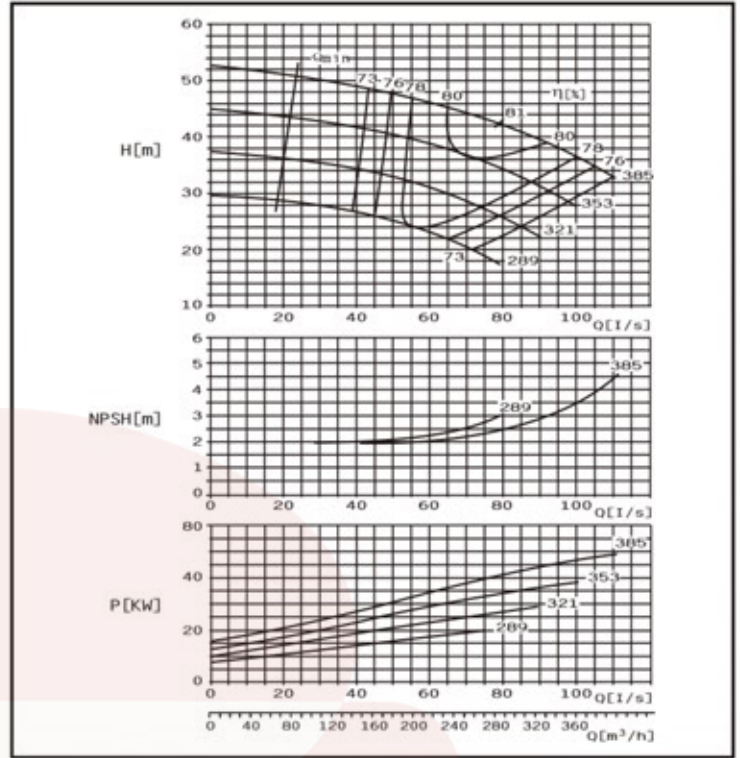
电机尺寸——Y型电机 Motor size(4极)

泵型号 Type	电机 Motor		b2	h4	h6	h7	l3	l4	l5	i	q	电机重量(kg) Motor W·T	底座参考 重量(kg) Baseplate W·T	地脚螺栓 anchor bolt
	型号 Type	功率 Power (kW)												
125-290	125-230	132M	7.5	450	320	520	703	1100	450	105	515	84	80	6- M20×400
		160M	11				745	1190	495		605	130		
		160L	15					770	1240		520	650		
		180M	18.5				795		1280		540	670	180	
		180L	22					825	1320		560	710	200	
		200L	30				825		1350		575	775	270	
		225S	37					825	1350		575	820	284	

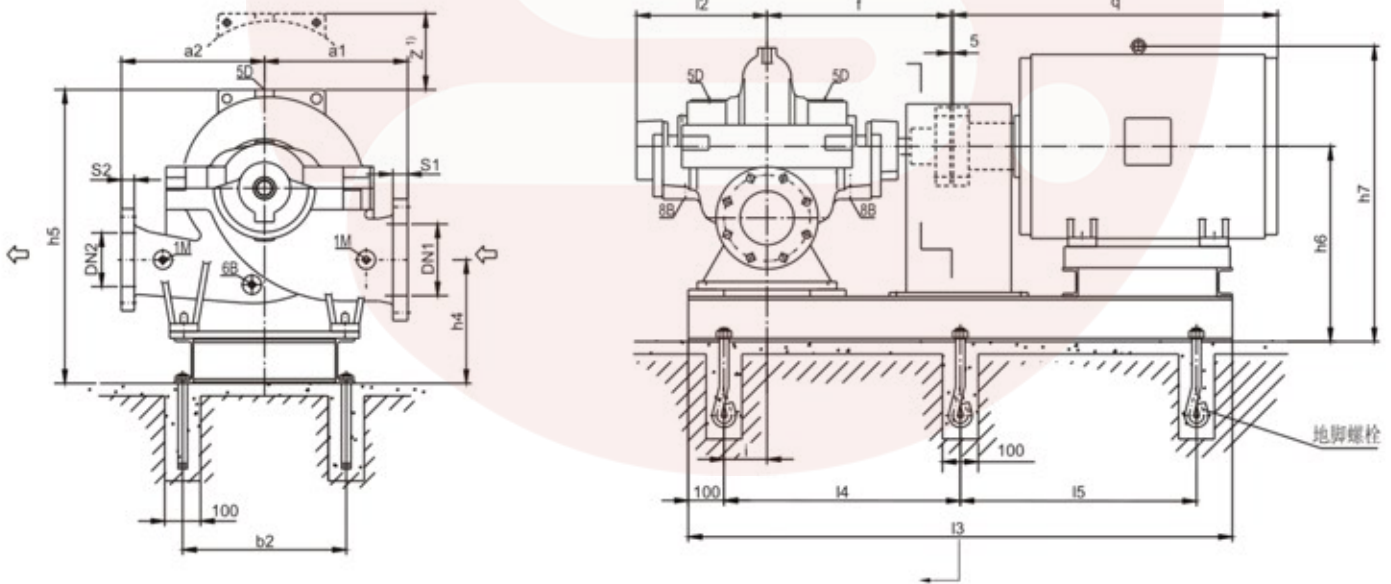
SBS125-365 E特性曲线 n=1450r/min



SBS125-365 F特性曲线 n=1450r/min



SBS卧式泵安装尺寸图 Installing dimensions of SBS pumps



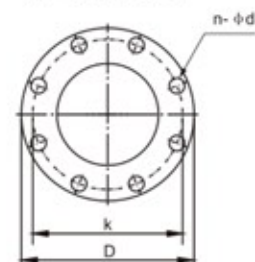
连接尺寸 connection dimensions:

- 1M 压力表Rp1/2      1M pressure gauge Rp1/2
- 6B 排液孔Rp1/2      6B drain plug Rp1/2
- 5D 排气孔Rp1/2      5D air vent Rp1/2
- 8B 漏液排出孔Rp3/4      8B drain plug Rp3/4

Z¹) 拆卸转子所需最小空间尺寸

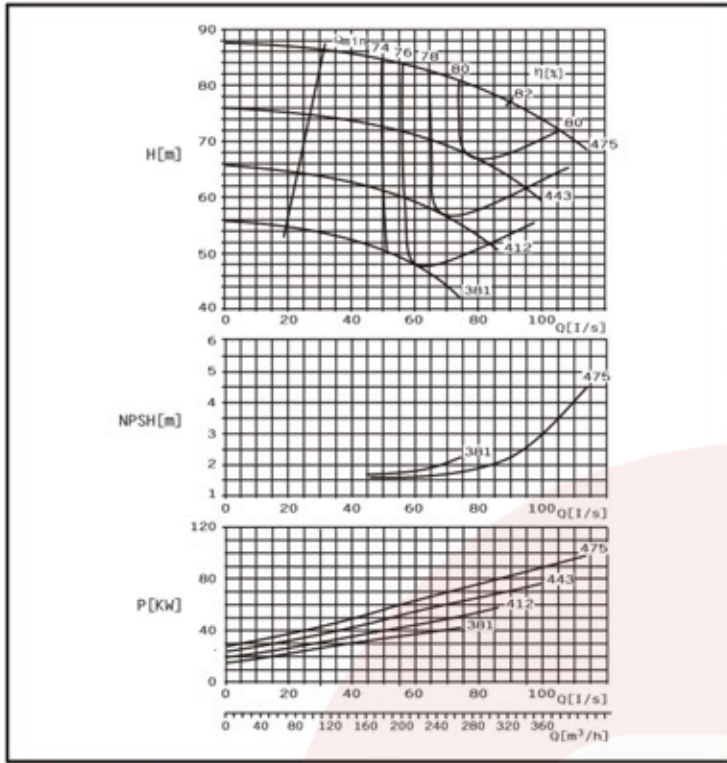
Z¹) Min. dimensions of disassembling rotor assembly

法兰钻孔示意图

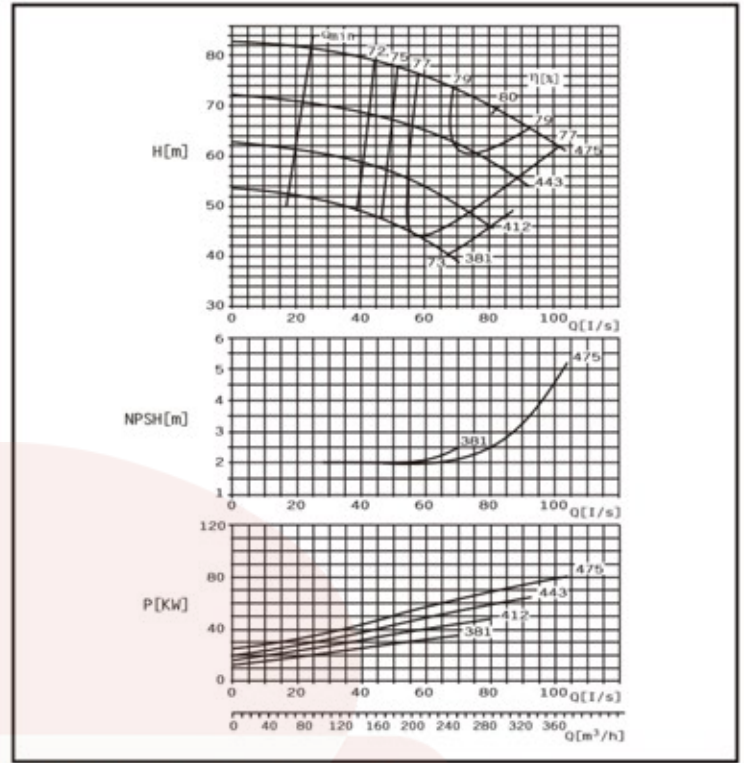




SBS125-500 E特性曲线 n=1450r/min



SBS125-500 F特性曲线 n=1450r/min



参数表 Standard performance

泵型号 Type	流量 Capacity Q		扬程 Head m	转速 Speed r/min	轴功率 Shaft power kW	效率 eff η	有效汽 蚀余量 NPSH <sub>a</sub> m	电机功率 Motor power kW	叶轮参 考直 径 D(mm)
	m³/h	l/s							
SBS 125-365E	245	68.8	50	1450	41.2	82	2.6	55	385
	310	86	47						
	360	100	44						
	225	62.4	41.6						
	281	78	39						
SBS 125-365F	205	56.8	33.7	1450	24.2	76	2.9	37	321
	256	71	31.5						
	307	85.2	28.2						
	184	51.2	25.5						
	230	64	24						
SBS 125-500E	222	61.6	46.3	1450	35.4	79.2	2.9	55	385
	277	77	43						
	333	92.4	38.8						
	202	56	39.8						
	252	70	37						
SBS 125-500F	182	50.4	32.6	1450	21.4	76.5	2.8	30	321
	227	63	30.5						
	272	75.6	27.5						
	158	44	26.3						
	198	55	24.5						
SBS 125-365E	245	68.8	50	1450	41.2	82	2.6	55	385
	310	86	47						
	360	100	44						
	225	62.4	41.6						
	281	78	39						
SBS 125-365F	205	56.8	33.7	1450	24.2	76	2.9	37	321
	256	71	31.5						
	307	85.2	28.2						
	184	51.2	25.5						
	230	64	24						
SBS 125-500E	222	61.6	46.3	1450	35.4	79.2	2.9	55	385
	277	77	43						
	333	92.4	38.8						
	202	56	39.8						
	252	70	37						
SBS 125-500F	182	50.4	32.6	1450	21.4	76.5	2.8	30	321
	227	63	30.5						
	272	75.6	27.5						
	158	44	26.3						
	198	55	24.5						

参数表 Standard performance

泵型号 Type	流量 Capacity Q		扬程 Head m	转速 Speed r/min	轴功率 Shaft power kW	效率 eff η	有效汽 蚀余量 NPSH <sub>a</sub> m	电机功率 Motor power kW	叶轮参 考直 径 D(mm)
	m³/h	l/s							
SBS 125-500E	262	72.8	82	1450	73.7	79.5	2.8	110	475
	328	91	76						
	393	109.2	70						
	233	64.8	70						
	292	81	66.5						
SBS 125-500F	205	56.8	60	1450	44.0	76	2.5	75	412
	256	71	56						
	307	85.2	51.5						
	184	51.2	50						
	230	64	47						
SBS 125-500E	222	61.6	75	1450	61.7	77.7	3.2	90	475
	293	81.5	69.5						
	352	97.8	63						
	217	60.4	65						
	272	75.5	60.5						
SBS 125-500F	181	50.4	57	1450	37.5	75.1	2.6	55	381
	227	63	53						
	272	75.6	48.3						
	161	44.8	47.5						
	202	56	45						

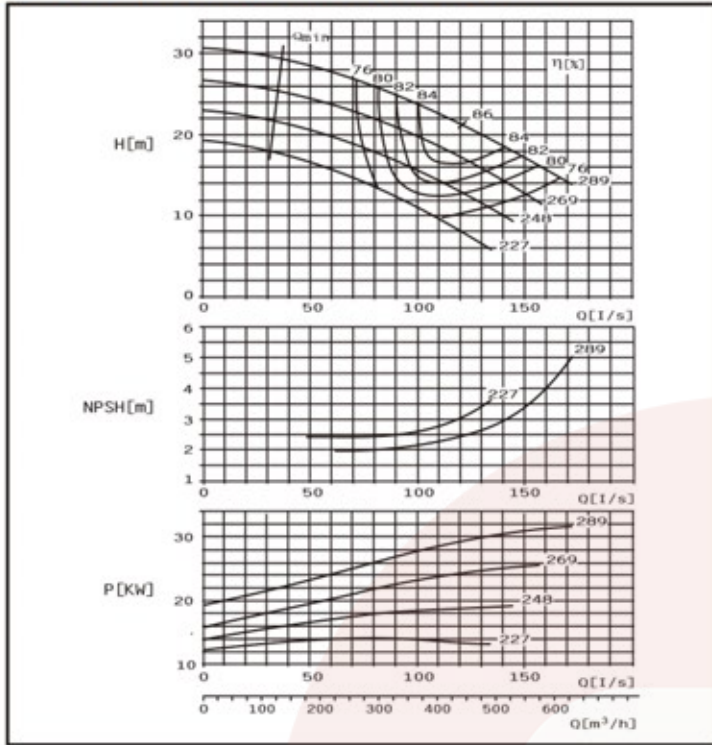
主要外型尺寸 pump outline size

泵型号 type	法兰尺寸 flange size										泵尺寸 pump size						泵重量W.T	
	进口法兰 inlet flange					出口法兰 outlet flange											净重N.T	湿重G.T
	DN1	S1	K	D	n-φd	DN2	S2	K	D	n-φd	a1	a2	f	h5≤	12	z <sup>1)</sup>		
125-365	200	30	295	340	12-φ22	125	26	210	250	8-φ17.5	370	370	515	825	366	520	300	345
125-500	200	30	295	340	12-φ22	125	26	210	250	8-φ17.5	450	450	515	825	366	610	335	390

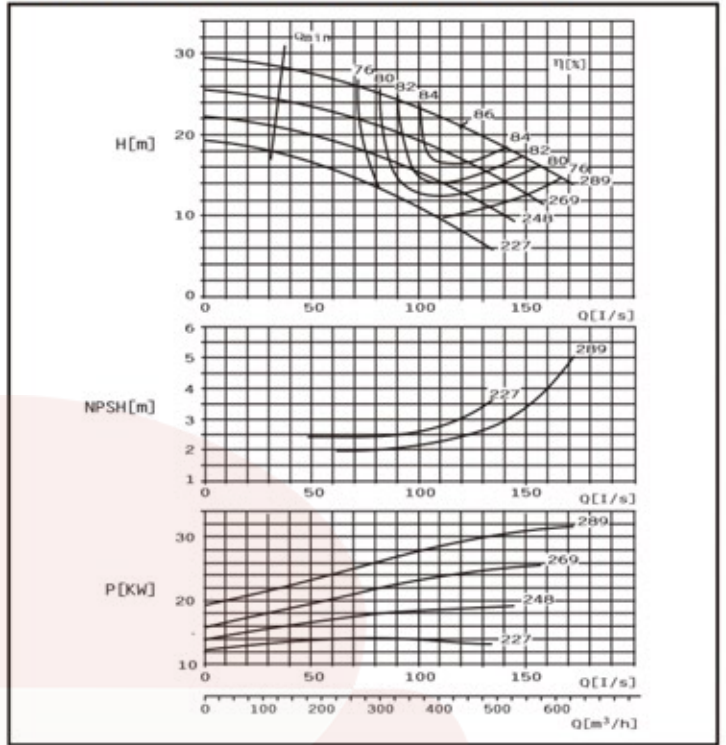
电机尺寸——Y型电机 Motor size(4极)

泵型号 Type	电机 Motor		b2	h4	h6	h7	l3	l4	l5	i	q	电机重量(kg) Motor W·T	底座参考 重量(kg) Baseplate W·T	地脚螺栓 anchor bolt
	型号 Type	功率 Power (kW)												
125-365	180L	22	450	320	520	770	1280	540	105	105	710	200	110	6-M20×400
	200L	30				795	1320	560			775	270		
	225S	37				825	1350	575			820	284		
	225M	45				845	1380	590			845	320		
	250M	55				845	1440	620			930	427		
125-500	280S	75	560	320	520	905	1520	660	105	105	1000	562	250	6-M20×400
	225S	37				825	1350	575			820	284		
	225M	45				845	1380	590			845	320		
	250M	55				845	1440	620			930	427		
	280S	75				880	1510	655			1000	562		
	280M	90				1050	1667	715			1270	1000		
	315S	110				1070	1630	715			1270	1000		

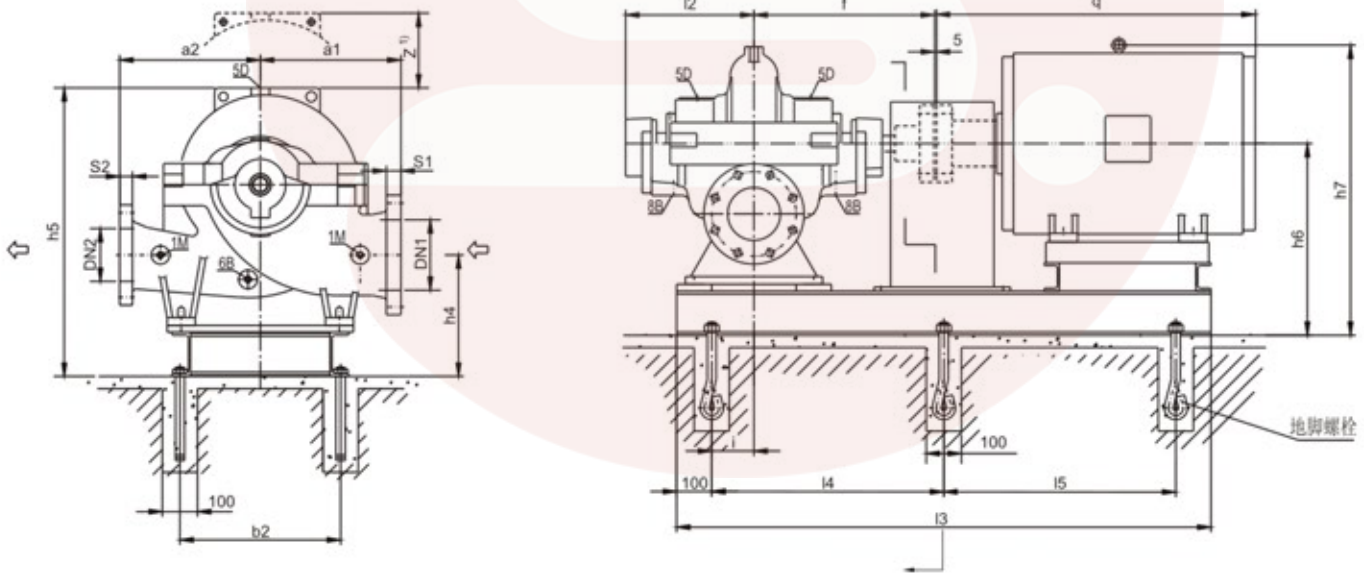
SBS150-290 E特性曲线 n=1450r/min



SBS150-290 F特性曲线 n=1450r/min



SBS卧式泵安装尺寸图 Installing dimensions of SBS pumps



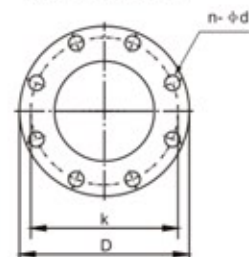
连接尺寸 connection dimensions:

- 1M 压力表Rp1/2    1M pressure gauge Rp1/2
- 6B 排液孔Rp1/2    6B drain plug Rp1/2
- 5D 排气孔Rp1/2    5D air vent Rp1/2
- 8B 漏液排出孔Rp3/4    8B drain plug Rp3/4

Z<sup>1)</sup> 拆卸转子所需最小空间尺寸

Z<sup>1)</sup> Min. dimensions of disassembling rotor assembly

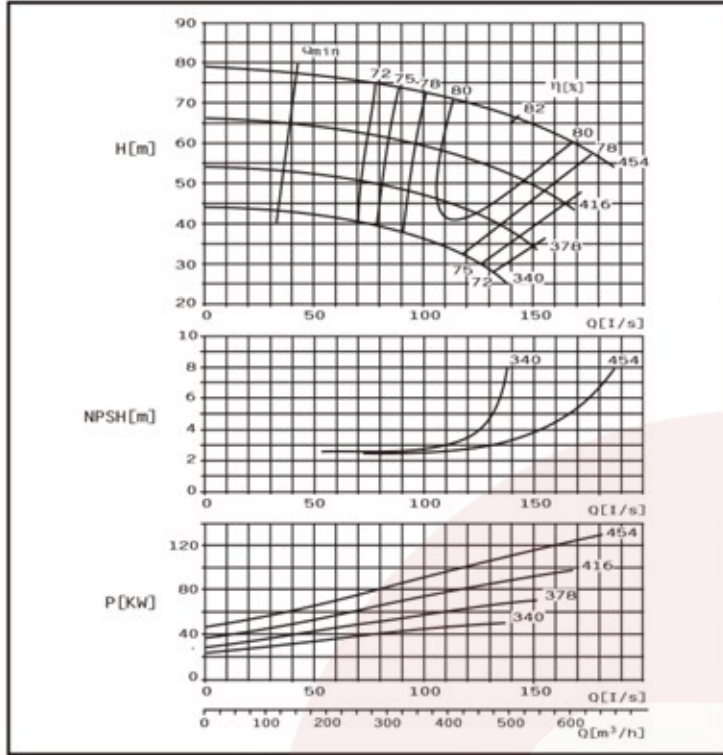
法兰钻孔示意图



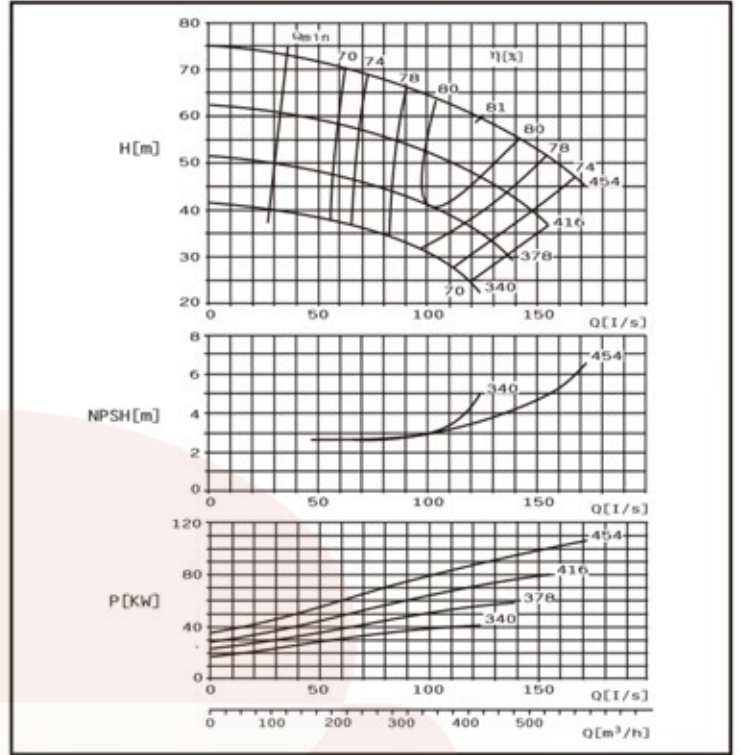




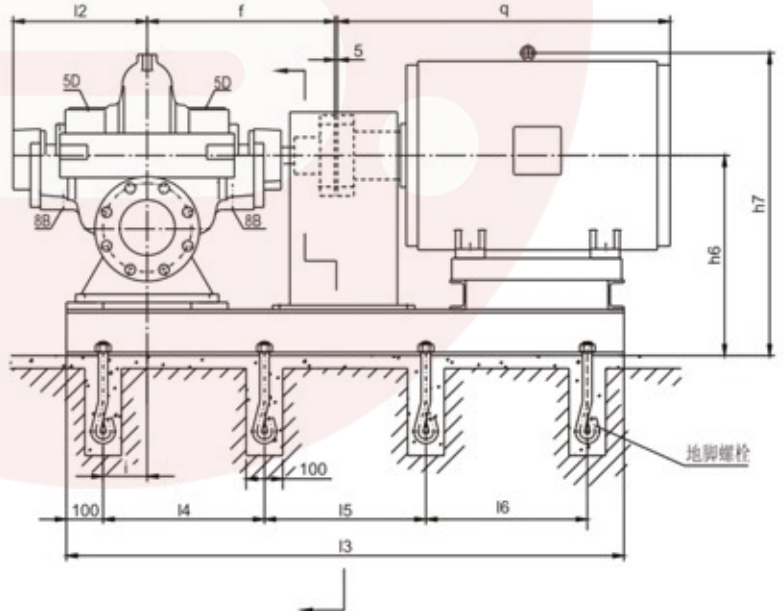
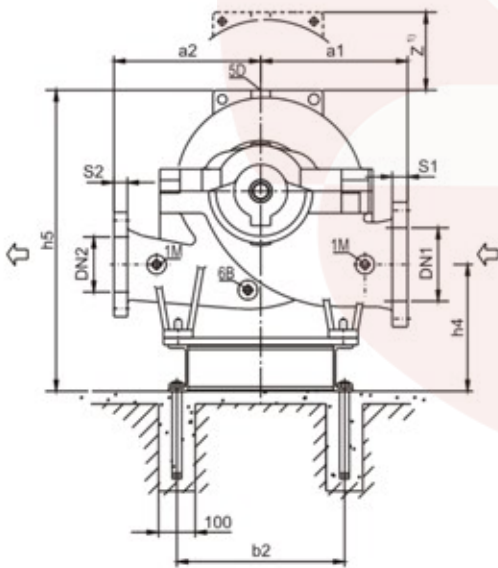
SBS150-460 E特性曲线 n=1450r/min



SBS150-460 F特性曲线 n=1450r/min



SBS卧式泵安装尺寸图 Installing dimensions of SBS pumps



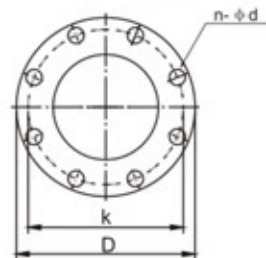
连接尺寸 connection dimensions:

- |                |                         |
|----------------|-------------------------|
| 1M 压力表 Rp1/2   | 1M pressure gauge Rp1/2 |
| 6B 排液孔 Rp1/2   | 6B drain plug Rp1/2     |
| 5D 排气孔 Rp1/2   | 5D air vent Rp1/2       |
| 8B 漏液排出孔 Rp3/4 | 8B drain plug Rp3/4     |

Z<sup>1)</sup> 拆卸转子所需最小空间尺寸

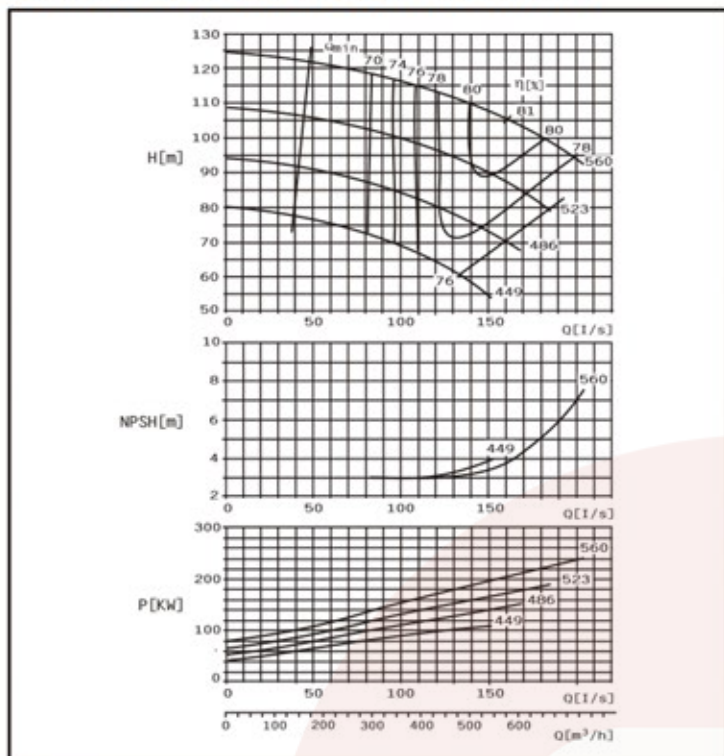
Z<sup>1)</sup> Min.dimensions of disassembling rotor assembly

法兰钻孔示意图

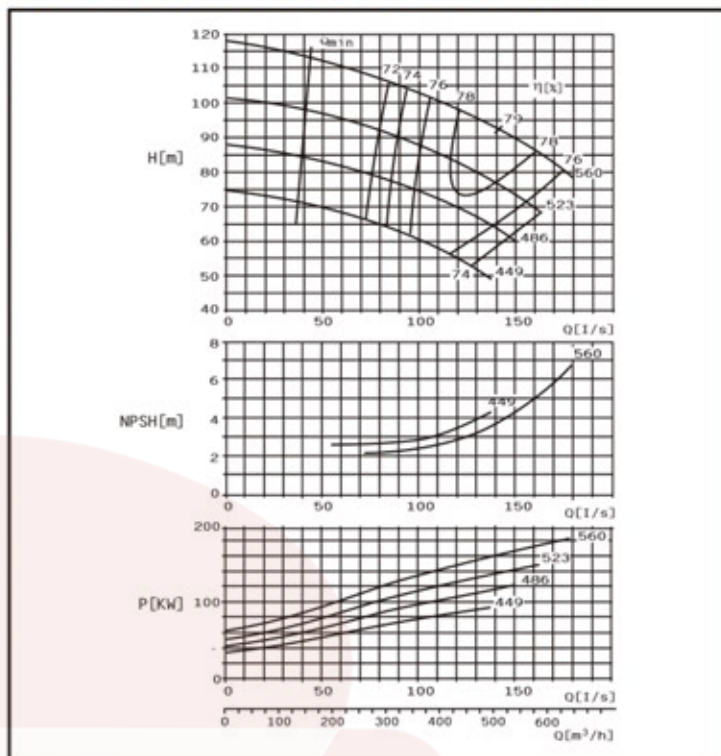




SBS150-605 E特性曲线 n=1450r/min



SBS150-605 F特性曲线 n=1450r/min



参数表 Standard performance

泵型号 Type	流量 Capacity Q		扬程 Head m	转速 Speed r/min	轴功率 Shaft power kW	效率 eff η %	有效汽 蚀余量 NPSHa m	电机功率 Motor power kW	叶轮参 考直径 D(mm)
	m³/h	l/s							
SBS 150-460E	412	114.4	71	1450	99.4	80.2	3.9	132	454
	515	143.1	66		112.8	82			
	618	171.6	60		126.2	80			
	377	104.7	58		75.2	79.3			
	472	131.1	54.5		86.4	81			
	566	157.2	48		94.9	78			
SBS 150-460F	346	96	47.5	1450	57	78.5	3.7	75	378
	432	120	43.5		64	80			
	516	143.3	37		69.7	75			
	317	88	38		42.6	77			
	396	110	35		48.1	78.5			
	475	132	28.2		50.7	72			
SBS 150-605E	350	97.2	65	1450	78.3	79.5	3.9	110	454
	440	122.2	60		88.6	81			
	527	146.4	53.5		97.6	78.7			
	323	89.7	54		60.3	78.7			
	403	112	50		68.2	80.5			
	484	134.4	44.5		75.2	78			
SBS 150-605F	300	83.3	44.4	1450	46.5	78	3.4	75	378
	375	104	40		51	80			
	450	125	34.5		57.1	74			
	260	72.2	35.5		33.5	74.8			
	324	90	33		37.3	78			
	390	108	28.4		40.7	74			

参数表 Standard performance

泵型号 Type	流量 Capacity Q		扬程 Head m	转速 Speed r/min	轴功率 Shaft power kW	效率 eff η %	有效汽 蚀余量 NPSHa m	电机功率 Motor power kW	叶轮参 考直径 D(mm)
	m³/h	l/s							
SBS 150-605E	467	129.7	112	1450	182.6	78	4.2	250	560
	583	161.9	105		206	81			
	700	194.4	95.5		233.4	78			
	440	122.2	96		151.1	76.3			
	550	152.7	88.5		168	79			
	648	180	81		187.5	76.3			
SBS 150-605F	412	114.4	82	1450	120	76.6	3.8	160	486
	515	143	75		134.8	78			
	605	168	68		151.4	74			
	378	105	67.5		92.3	75.2			
	472	131.1	61.5		102.6	77			
	526	146.1	55.2		106.8	74			
SBS 150-605E	430	119.4	98	1450	149.2	76.8	4.7	200	560
	536	148.9	90		166.4	79			
	617	171.4	82		181.5	76			
	392	108.9	85		118.9	76.3			
	490	136.1	78		133.3	78			
	576	160	70		148.1	74.2			
SBS 150-605F	357	99.2	75	1450	96.2	75	4.0	132	486
	446	124	68.5		108.2	77			
	535	148.8	60		118.4	74			
	323	89.7	62.5		73.4	74.9			
	403	112	57.5		83.1	76			
	484	134.4	50		91.6	72			

主要外型尺寸 pump outline size

泵型号 type	法兰尺寸 flange size									泵尺寸 pump size						泵重量W.T		
	进口法兰 inlet flange				出口法兰 outlet flange					a1	a2	f	h5≤	12	z <sup>1)</sup>	净重N.T	湿重G.T	
	DN1	S1	K	D	n-φd	DN2	S2	K	D									n-φd
150-460	200	30	295	340	12-φ22	150	26	210	250	8-φ17.5	450	450	590	1050	399	610	436	511
150-605	200	36	310	365	12-φ25	150	32	250	305	8-φ25	600	500				740	646	736

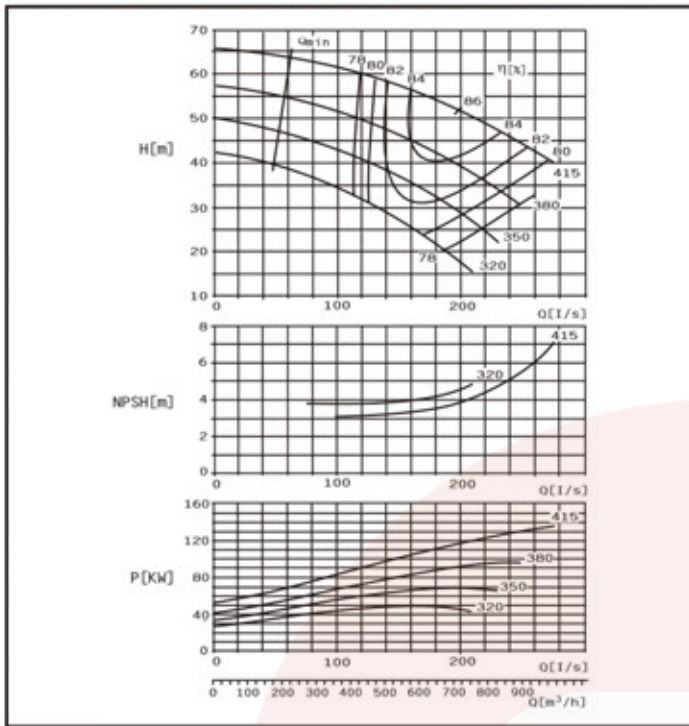
电机尺寸——Y型电机 Motor size

泵型号 Type	电机Motor		b2	h4	h6	h7	l3	l4	l5	l6	i	q	电机重量 (kg) Motor W · T	底座参考 重量(kg) Baseplate W · T	地脚螺栓 anchor bolt	
	型号 Type	功率Power (kW)														
150-460	225M	45	560	320	520	825	1500	650	-	150	845	845	320	190	6-M20×400	
	250M	55				845	1560	680				930	427			
	280S	75				880	1630	715				1000	562			
	280M	90				880	1680	740				1050	667			
	315S	110				1070	1750	775				1270	1000			
	315M	132				1070	1800	800				1340	1100			
150-605	315S	110	700	380	680	1230	1800	800	-	150	1270	1000	410	410	8-M20×400	
	315M	132				1230	1830	815				1340				1240
	315L	160/200				1225	1970	745				1570				1800
	355M	220/250				1105	2530	720				1820				2160
	355(6KV)	250														





SBS200-420 E特性曲线 n=1450r/min



参数表 Standard performance

泵型号 Type	流量 Capacity Q		扬程 Head m	转速 Speed r/min	轴功率 Shaft power kW	效率 eff η %	有效汽 蚀余量 NPSHa m	电机功率 Motor power kW	叶轮参 考直径 D(mm)			
	m³/h	l/s										
SBS 200-320E	556	154.4	34	1450	60	86	3.8	75	338			
	695	193	30									
	834	231.7	25									
	518	144	29		48.8	84				4.0	75	314
	648	180	25.5		52	86.5				4.1	45	290
	778	216	21.3		54	83.5						
481	133.4	25	40.7	80.5	4.1	37	266					
601	167	21.3	41	85								
720	200	17.2	42.3	80								
440	122.2	18.9	29	78	4.1	37	266					
550	152.8	17	32.3	79								
612	170	15.3	32.9	77.5								
SBS 200-320F	510	141.7	32.3	1450	52.7	85.2	3.0	75	338			
	637	176.9	28		56.2	86.5						
	765	212.5	23.4		58.0	84						
	475	132	28.5		44	83.8				3.2	55	314
	594	165	24.5		46.1	86						
	713	198	20		46.9	82.9						
445	123.6	23.8	35.6	81.3	3.4	45	290					
558	155	21	38.0	84								
670	186	17.2	38.4	81.8								
412	114.4	20	28.8	78	3.8	37	266					
515	143.1	17	29.1	82								
595	165.3	14.2	29.5	78								

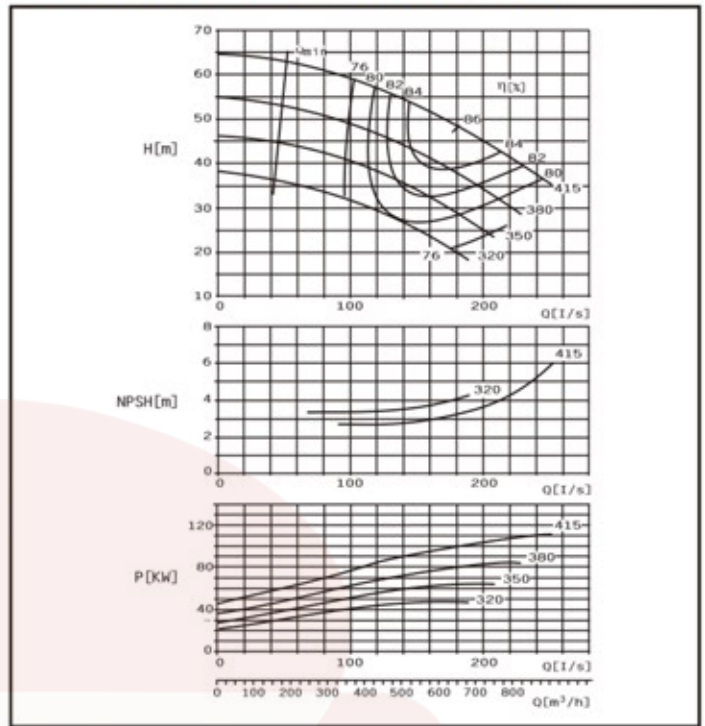
主要外型尺寸 pump outline size

泵型号 type	法兰尺寸 flange size										泵尺寸 pump size					泵重量W.T		
	进口法兰 inlet flange					出口法兰 outlet flange					a1	a2	f	h5≤	12	z <sup>1)</sup>	净重N.T	湿重G.T
	DN1	S1	K	D	n-φd	DN2	S2	K	D	n-φd								
200-320	250	32	355	410	12-φ25	200	30	295	340	12-φ22	450	450	590	1240	399	570	450	530
200-420											500	500				620	520	615

电机尺寸——Y型电机 Motor size

泵型号 Type	电机 Motor		b2	h4	h6	h7	l3	l4	l5	i	q	电机重量(kg) Motor W · T	底座参考 重量(kg) Baseplate W · T	地脚螺栓 anchor bolt			
	型号 Type	功率 Power (kW)															
200-320	200-320	225S	37	560	380	620	925	1470	635	150	820	284	190	6-M20×400			
		225M	45									1500			650	845	320
		250M	55									1560			680	930	427
		980	280S				75	1630	715			1000	562		250		
			280M				90	1680	740			1050	667				
			315S				110	1750	775			1270	1000				
			315M				132	1800	800			1340	1100				
		1170	315L				160	1830	815			1340	1240		410		

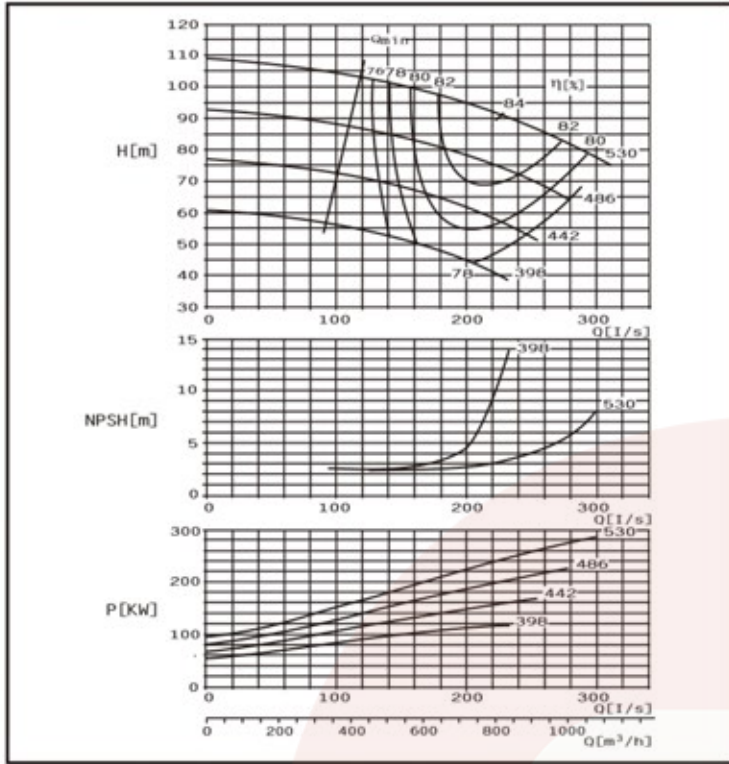
SBS200-420 F特性曲线 n=1450r/min



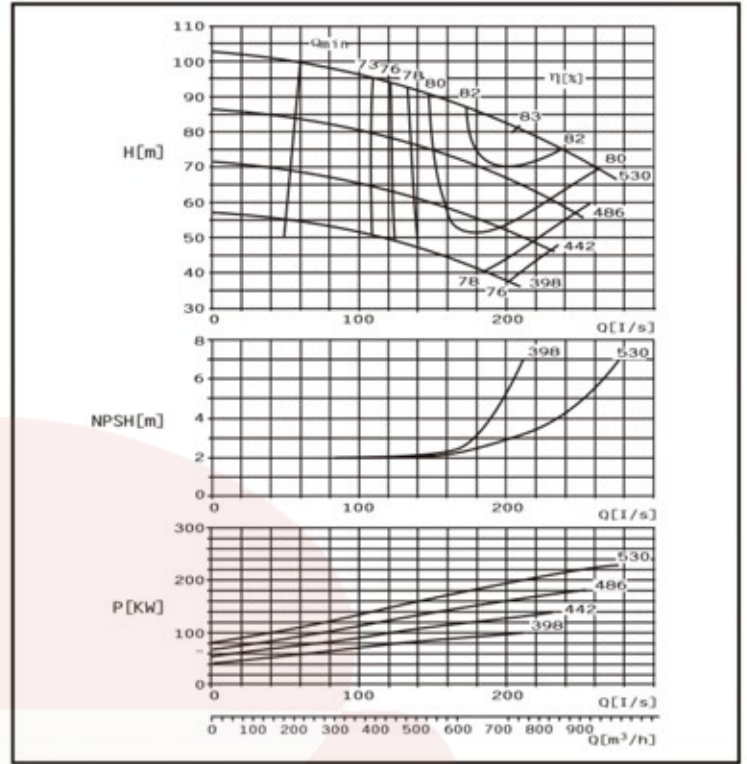
参数表 Standard performance

泵型号 Type	流量 Capacity Q		扬程 Head m	转速 Speed r/min	轴功率 Shaft power kW	效率 eff η %	有效汽 蚀余量 NPSHa m	电机功率 Motor power kW	叶轮参 考直径 D(mm)			
	m³/h	l/s										
SBS 200-420E	567	157.5	57	1450	104	84.5	3.9	132	415			
	709	197	52		116	86.5						
	850	236.1	47		129	84.5						
	504	140	47.5		79.1	82.5				3.9	110	380
	630	175	42.5		86.3	84.5						
	756	210	37.5		93.1	83						
458	127.2	40	62	80.5	3.9	75	350					
572	159	35.5	66.7	83								
687	190.8	30	68.8	81.6								
409	113.6	32.5	45.8	79	4.0	55	320					
511	142	27.5	49	81								
613	170	24	50.1	80								
SBS 200-420F	518	144	54	1450	90.8	84	3.5	110	415			
	648	180	48.5		99.1	85.5						
	778	216	42		107	83.5						
	467	130	45		69.8	82				3.5	90	380
	583	162	40.5		76.6	84						
	700	195	35		81.9	81.5						
423	118	38	54.8	80	3.7	75	350					
530	147	34.5	60.6	82								
635	176	29	63.5	79.5								
375	104	31.5	41.5	77.5	3.8	55	320					
468	130	28	45.8	78								
562	156	24	47.5	77.3								

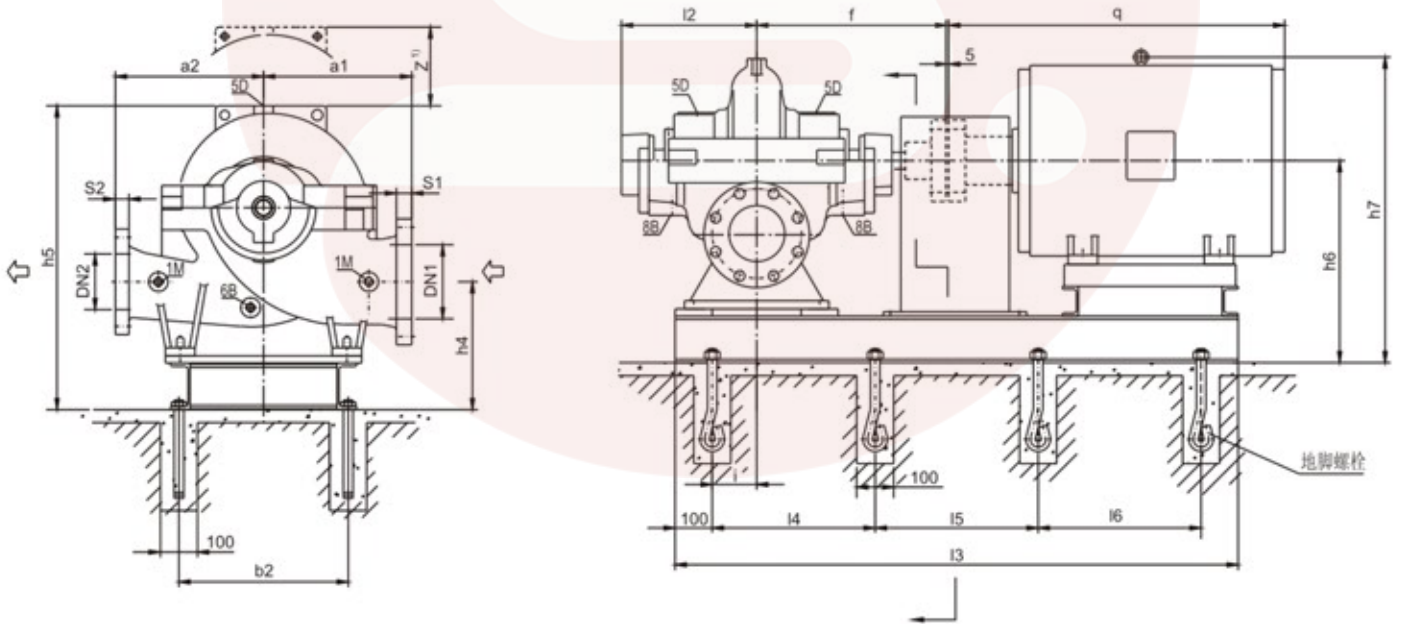
SBS200-520 E特性曲线 n=1450r/min



SBS200-520 F特性曲线 n=1450r/min



SBS卧式泵安装尺寸图 Installing dimensions of SBS pumps



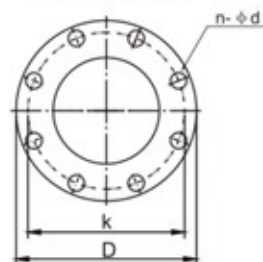
连接尺寸 connection dimensions:

- |                |                         |
|----------------|-------------------------|
| 1M 压力表 Rp1/2   | 1M pressure gauge Rp1/2 |
| 6B 排液孔 Rp1/2   | 6B drain plug Rp1/2     |
| 5D 排气孔 Rp1/2   | 5D air vent Rp1/2       |
| 8B 漏液排出孔 Rp3/4 | 8B drain plug Rp3/4     |

Z<sup>1)</sup> 拆卸转子所需最小空间尺寸

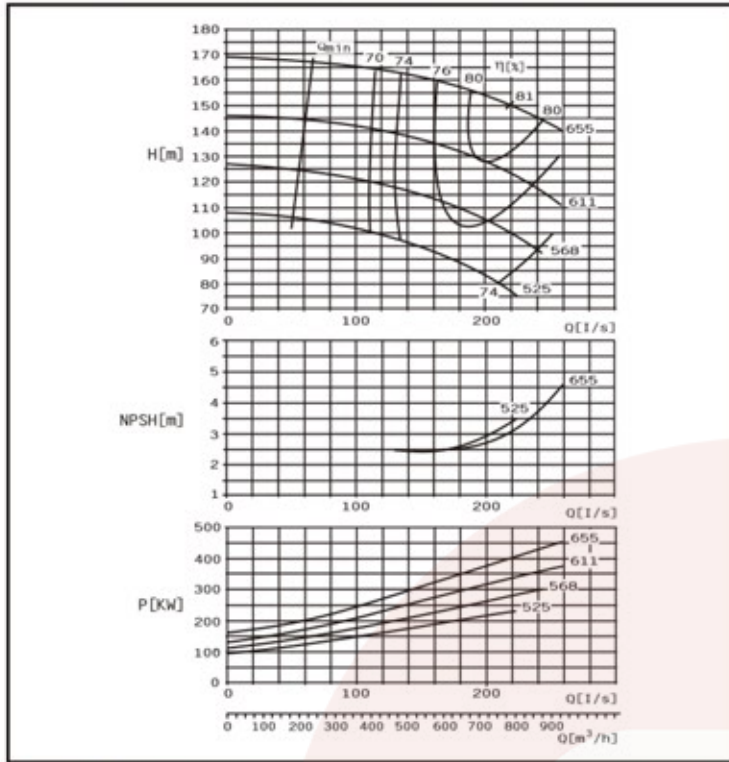
Z<sup>1)</sup> Min.dimensions of disassembling rotor assembly

法兰钻孔示意图

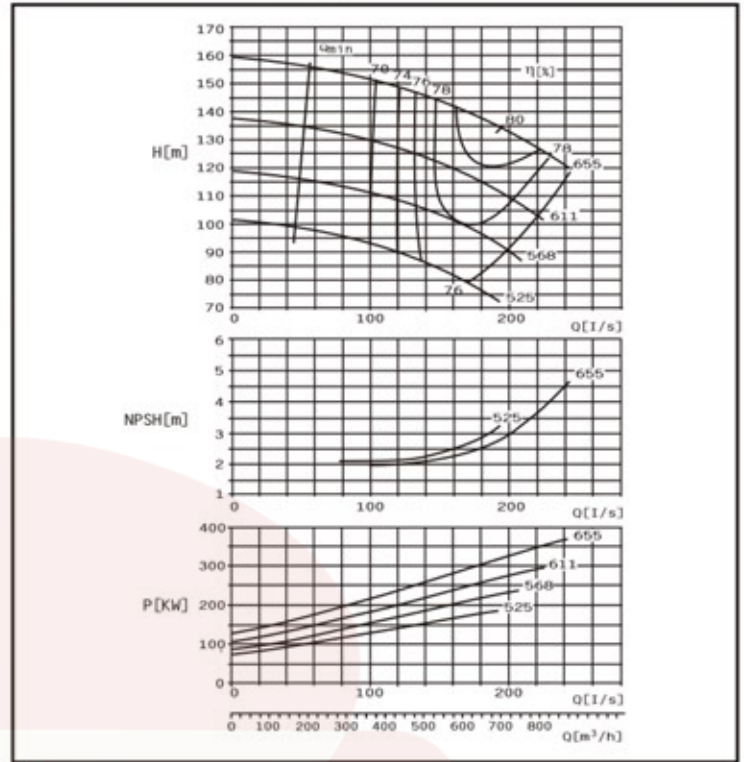




SBS200-670 E特性曲线 n=1450r/min



SBS200-670 F特性曲线 n=1450r/min



参数表 Standard performance

泵型号 Type	流量 Capacity Q		扬程 Head m	转速 Speed r/min	轴功率 Shaft power kW	效率 eff η	有效汽 蚀余量 NPSHa m	电机功率 Motor power kW	叶轮参 考直径 D(mm)
	m³/h	l/s							
SBS 200-520E	654	181.7	97	1450	210	82.2	4.0	280	530
	817	227	91		241	84			
	980	272.2	83		272	81.5			
	605	168	82.5		170	80.2			
	756	210	76.5		192	83			
847	235.2	55	215	80.4					
SBS 200-520F	565	156.9	67	1450	132	78.1	3.7	185	442
	706	196.1	62.5		148	81			
	907	252	55		163	78.0			
	518	144	52.3		98	75.5			
	648	180	47.5		107	78.5			
778	216.1	42	117	76.2					
SBS 200-670E	588	163.2	88	1450	175	80.3	3.5	220	530
	734	204	81.7		197	83			
	880	244.8	73.2		219	80.3			
	556	154.4	74		141	79.6			
	695	193	68		159	81			
834	231.7	60	172	79.3					
SBS 200-670F	524	145.6	80	1450	109	78.5	3.6	160	442
	655	182	55		123	80			
	786	218.3	48.8		134	78			
	478	132.8	48		81	76.8			
	598	166	43.5		91	78			
717	199.2	38	98	76					

参数表 Standard performance

泵型号 Type	流量 Capacity Q		扬程 Head m	转速 Speed r/min	轴功率 Shaft power kW	效率 eff η	有效汽 蚀余量 NPSHa m	电机功率 Motor power kW	叶轮参 考直径 D(mm)
	m³/h	l/s							
SBS 200-670E	634	176	157.5	1450	350	77.7	3.6	500	655
	792	220	150		404	80			
	936	260	140		457	78.2			
	596	165.6	134.5		285	76.7			
	745	206.9	127		328	78.5			
894	248.3	114.5	367	76					
SBS 200-670F	562	156.1	114.5	1450	231	76	3.2	315	568
	702	195	107		266	77			
	842	234	95.5		293	74.8			
	527	146.4	95.5		183	74.8			
	659	183	88		208	76			
770	213.9	80	227	74					
SBS 200-670F	576	160	142	1450	289	77.2	3.4	400	655
	720	200	132.5		329	79			
	864	240	120		372	76			
	530	147.2	123		231	76.8			
	662	183.9	114.5		263	78.5			
795	220.8	104	296	76					
SBS 200-670F	493	136.9	106	1450	187	76.1	3.2	250	568
	616	171.1	98.5		212	78			
	720	200	90		232	76			
	455	126.4	90		149	74.8			
	569	158.1	83		167	77			
683	189.7	73	184	74					

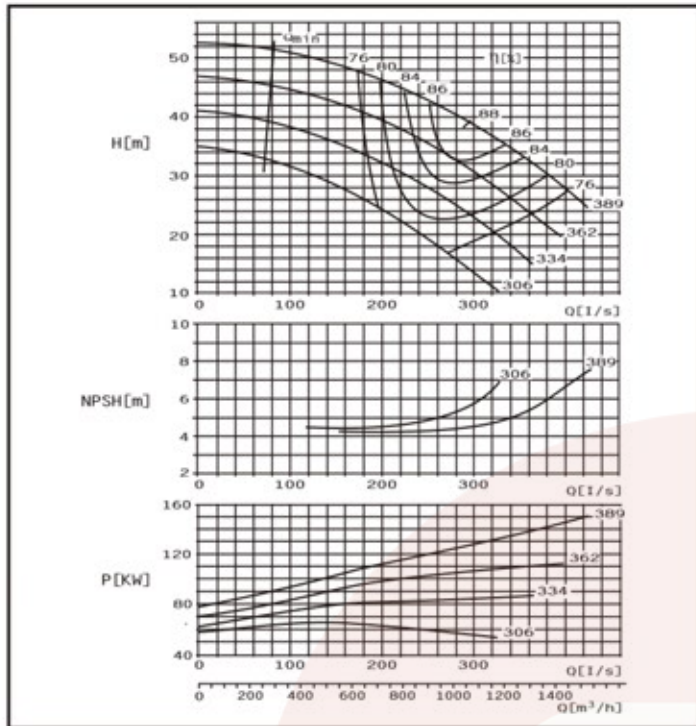
主要外型尺寸 pump outline size

泵型号 type	法兰尺寸 flange size										泵尺寸 pump size					泵重量W.T		
	进口法兰 inlet flange					出口法兰 outlet flange					a1	a2	f	h5≤	12	z <sup>1)</sup>	净重N.T	湿重G.T
	DN1	S1	K	D	n-φd	DN2	S2	K	D	n-φd								
200-520	250	32	355	410	12-φ25	200	30	295	340	12-φ22	600	500	655	1240	464	740	840	955
200-670	250	40	370	430	12-φ30	200	36	310	365	12-φ25	650	550						

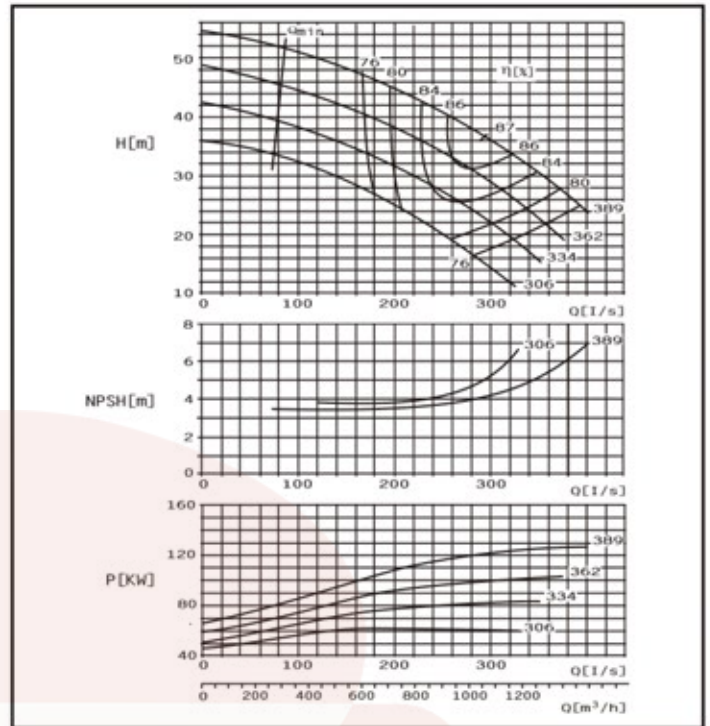
电机尺寸——Y型电机 Motor size

泵型号 Type	电机Motor		b2	h4	h6	h7	l3	l4	l5	l6	i	q	电机重量 Motor W · T (kg)	底座参考 重量(kg) Baseplate W · T	地脚螺栓 anchor bolt
	型号 Type	功率Power (kW)													
200-520	315S	110	700	440	740	1290	1810	805	-	150	1270	1000	410	6-M24×500	
	315M	132													
	315L	160/200													
	355(6KV)	220-315													
200-670	315L	160-200	700	430	780	1330	1890	845	-	150	1340	1240	410	6-M24×500	
	355(6KV)	220-315													
	400(6KV)	355-500													

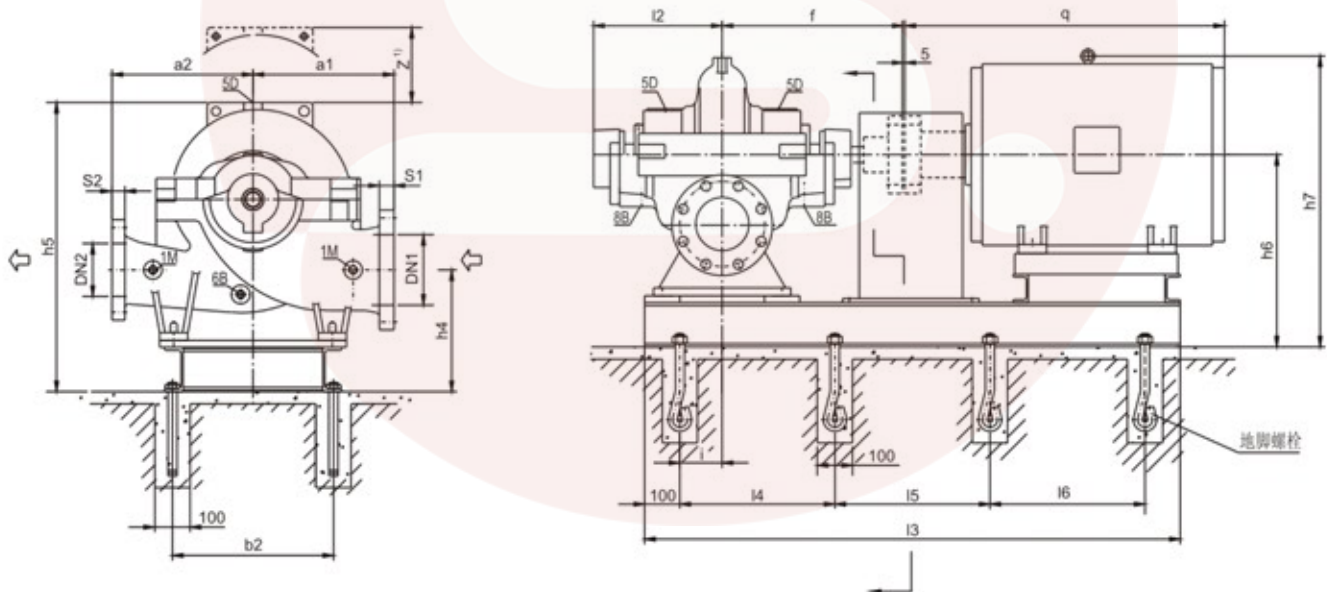
SBS250-370 E特性曲线 n=1450r/min



SBS250-370 F特性曲线 n=1450r/min



SBS卧式泵安装尺寸图 Installing dimensions of SBS pumps



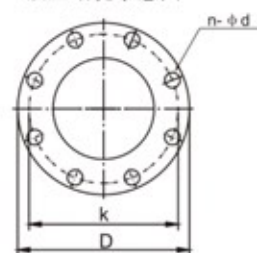
连接尺寸 connection dimensions:

- |                |                         |
|----------------|-------------------------|
| 1M 压力表 Rp1/2   | 1M pressure gauge Rp1/2 |
| 6B 排液孔 Rp1/2   | 6B drain plug Rp1/2     |
| 5D 排气孔 Rp1/2   | 5D air vent Rp1/2       |
| 8B 漏液排出孔 Rp3/4 | 8B drain plug Rp3/4     |

Z<sup>1)</sup> 拆卸转子所需最小空间尺寸

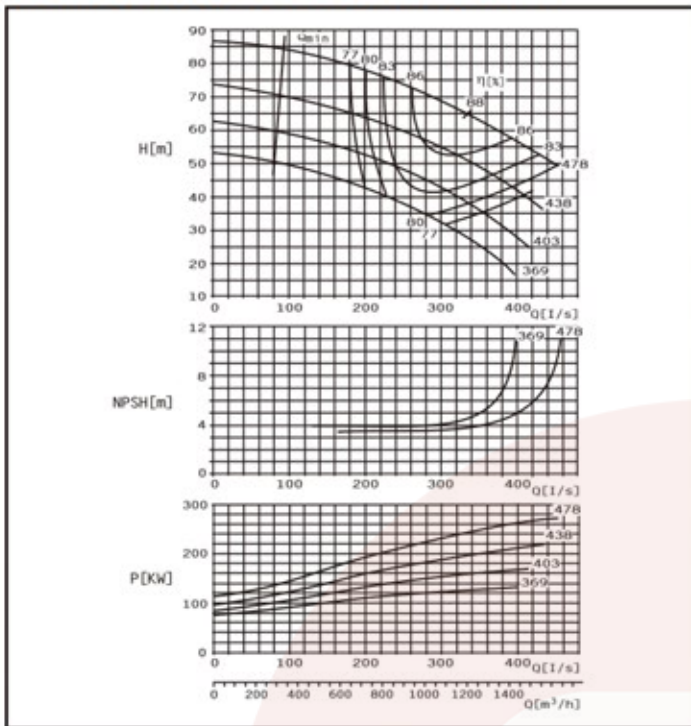
Z<sup>1)</sup> Min.dimensions of disassembling rotor assembly

法兰钻孔示意图

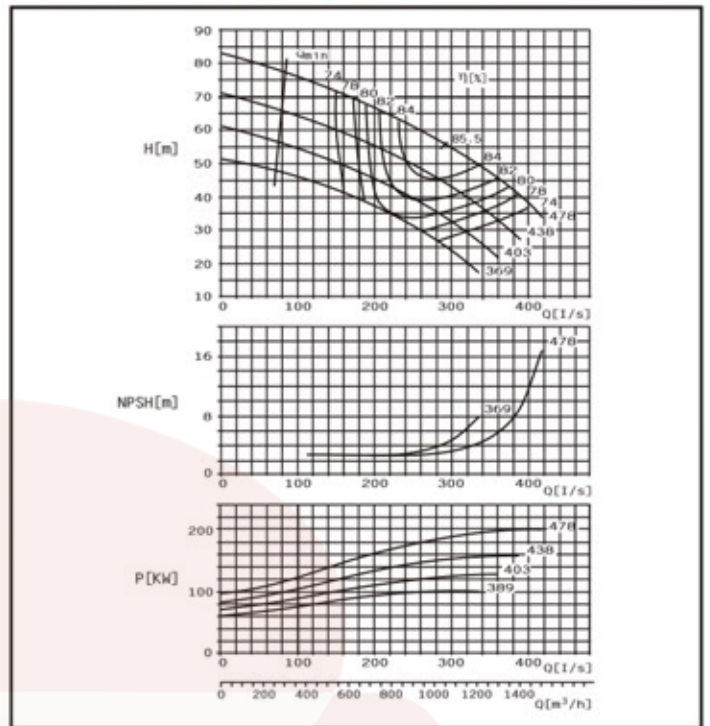




SBS250-480 E特性曲线 n=1450r/min



SBS250-480 F特性曲线 n=1450r/min



参数表 Standard performance

泵型号 Type	流量 Capacity Q		扬程 Head m	转速 Speed r/min	轴功率 Shaft power kW	效率 eff η %	有效汽 蚀余量 NPSHa m	电机功率 Motor power kW	叶轮参 考直径 D(mm)
	m³/h	l/s							
SBS 250-370E	840	233.3	44	1450	118	85.3	4.7	160	389
	1051	292	39						
	1260	350	33.5						
	795	220.8	37.5						
	994	276.1	33						
SBS 250-370F	755	209.7	31.5	1450	99	82.3	5.0	110	362
	943	261.9	27						
	1131	314.4	21						
	756	210	23						
	871	242	20						
SBS 250-480E	823	228.6	42.3	1450	112	84.5	4.7	132	389
	1029	286	37						
	1235	343	31						
	775	215.3	37						
	968	268.9	32						
SBS 250-480F	732	203.3	32	1450	103.6	82.5	4.7	110	362
	914	253.9	27						
	1097	304.8	22						
	680	188.9	25.6						
	850	236.1	22						
1020	283.3	17							
					61.3	77	4.7	75	306

参数表 Standard performance

泵型号 Type	流量 Capacity Q		扬程 Head m	转速 Speed r/min	轴功率 Shaft power kW	效率 eff η %	有效汽 蚀余量 NPSHa m	电机功率 Motor power kW	叶轮参 考直径 D(mm)
	m³/h	l/s							
SBS 250-480E	938	260.7	73.5	1450	222	84.8	4.1	280	478
	1173	326	66						
	1408	391	58						
	864	240	60.5						
	1080	300	55						
SBS 250-480F	800	222.4	50	1450	136	80	4.0	185	403
	1000	278	45.5						
	1200	333.8	38						
	743	206.4	42						
	929	258	37.5						
SBS 250-480E	864	240	62	1450	177	82.5	4.1	220	478
	1044	290	55.5						
	1296	360	45						
	780	216.7	53.5						
	976	271	47						
SBS 250-480F	708	196.7	45	1450	141	81	4.1	185	438
	886	246.1	40.5						
	1063	295.2	34						
	642	178.3	40						
	803	223	34.5						
963	267.5	28.5							
					126	77	4.0	132	369

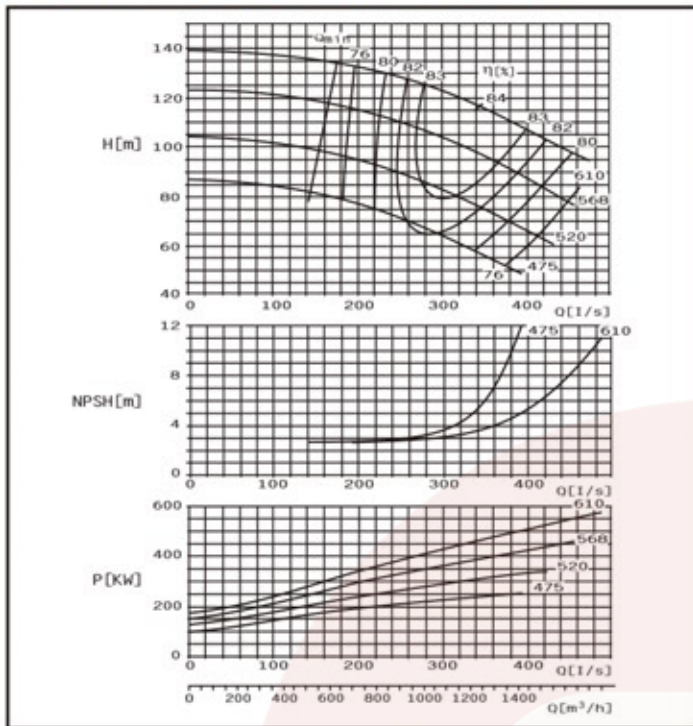
主要外型尺寸 pump outline size

泵型号 type	法兰尺寸 flange size										泵尺寸 pump size					泵重量W.T		
	进口法兰 inlet flange					出口法兰 outlet flange												
	DN1	S1	K	D	n-φd	DN2	S2	K	D	n-φd	a1	a2	f	h5≤	12	z¹)	净重N.T	湿重G.T
250-370	300	36	400	465	12-φ22	250	32	350	410	12-φ22	500	500	655	1275	464	640	665	790
250-480	300	36	410	465	12-φ26	250	32	355	410	12-φ25	550	550	730	1275	515	710	830	975

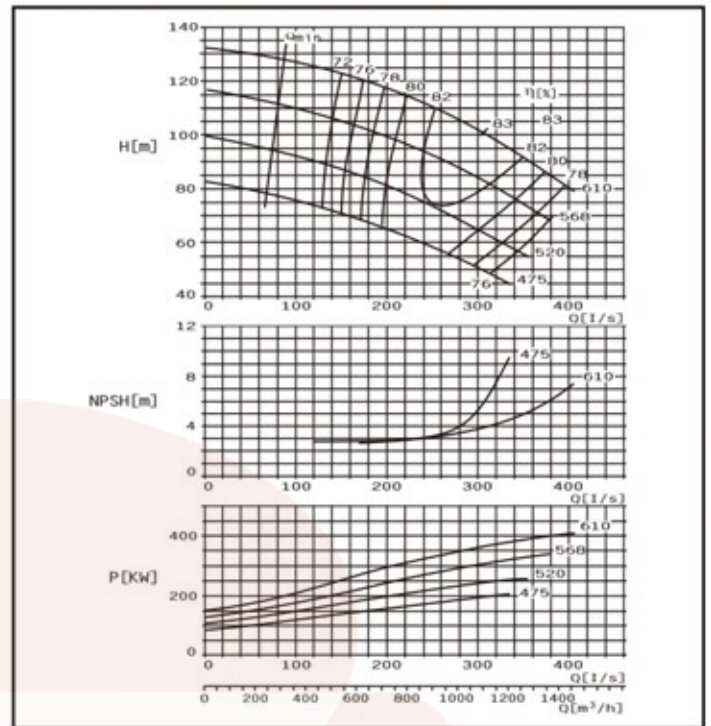
电机尺寸——Y型电机 Motor size

泵型号 Type	电机 Motor		b2	h4	h6	h7	l3	l4	l5	l6	i	q	电机重量 Motor W · T (kg)	底座参考 重量(kg) Baseplate W · T	地脚螺栓 anchor bolt
	型号 Type	功率 Power (kW)													
250-370	280S	75	700	480	780	1140	1690	745	-	150	1000	562	250	6- M24 × 500	
	280M	90													
	315S	110													
	315M	132													
	315L	160													
250-480	315S	110	700	500	800	1350	1950	875	-	210	1270	1000	250	6- M24 × 500	
	315M	132													
	315L	160-200													
	355(6KV)	220-315													
						1225	2740	790	790		1820	2160	440	8- M24 × 500	

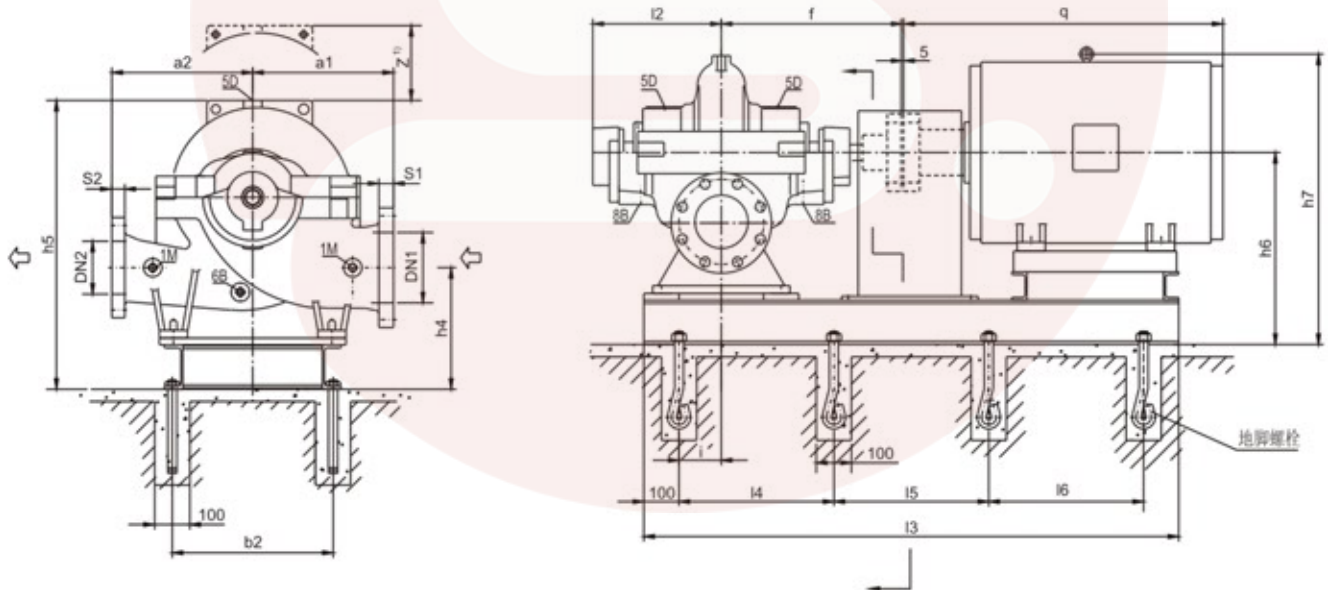
SBS250-600 E特性曲线 n=1450r/min



SBS250-600 F特性曲线 n=1450r/min



SBS卧式泵安装尺寸图 Installing dimensions of SBS pumps



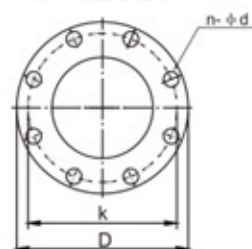
连接尺寸 connection dimensions:

- |                |                         |
|----------------|-------------------------|
| 1M 压力表 Rp1/2   | 1M pressure gauge Rp1/2 |
| 6B 排液孔 Rp1/2   | 6B drain plug Rp1/2     |
| 5D 排气孔 Rp1/2   | 5D air vent Rp1/2       |
| 8B 漏液排出孔 Rp3/4 | 8B drain plug Rp3/4     |

Z<sup>1)</sup> 拆卸转子所需最小空间尺寸

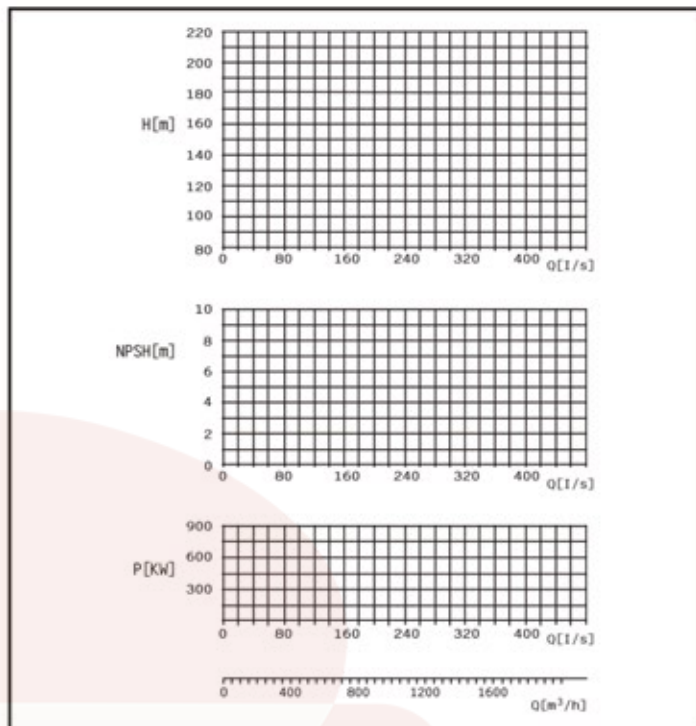
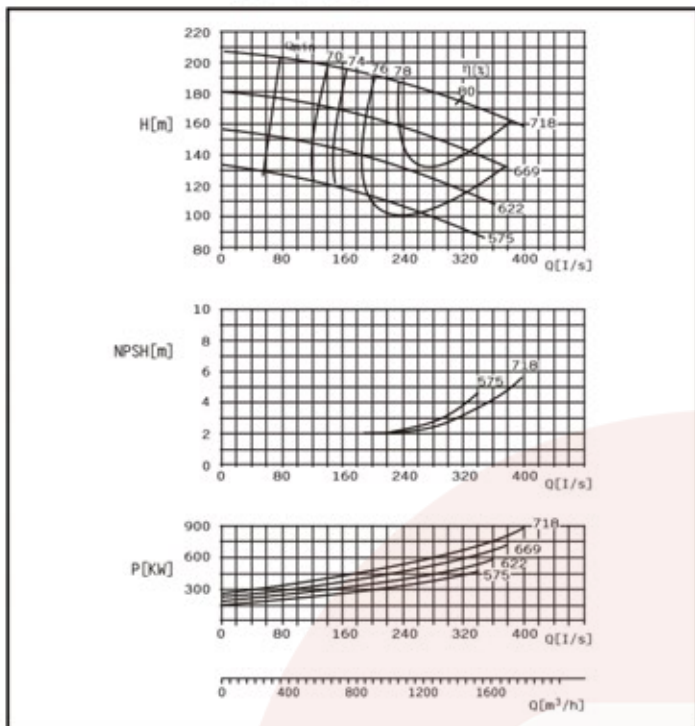
Z<sup>1)</sup> Min.dimensions of disassembling rotor assembly

法兰钻孔示意图





## SBS250-710 E特性曲线 n=1450r/min



### 参数表 Standard performance

泵型号 Type	流量 Capacity Q		扬程 Head m	转速 Speed r/min	轴功率 Shaft power kW	效率 eff η %	有效汽 蚀余量 NPSHa m	电机功率 Motor power kW	叶轮参 考直径 D(mm)				
	m³/h	l/s											
SBS 250-600E	994	276.1	126	1450	411	83	4.6	560	610				
	1242	345	116		467	84							
	1490	413.9	105		520	82							
	933	259.2	108		333	82.5							
	1166	323.9	100	421	81.5	4.5	450	568					
	1400	388.9	90	262	81.3								
	867	240.8	90	295	83	4.3	315	520					
	1084	301	83	322	81								
	1300	361.1	73.5	201	80.3	4.0	250	475					
	800	222.2	74	218	82.5								
	1000	277.8	66	244	80.5	3.7	400	610					
	1200	333.3	60	320	81.2								
SBS 250-600F	835	232	114	1450	356	83	3.7	400	610				
	1044	290	104		381	82							
	1253	348	91.5		255	80.8							
	772	214.4	98		287	82.5							
	965	268.1	90		311	81.3				3.6	315	568	
	1158	321.6	80		192	80							
		700	194.4		80.3	218				81.5	3.3	250	520
		875	243.1		74.5	235				80.3			
		1050	291.7		66.0	149				79	3.1	200	475
		640	177.7		67.5	168				80.5			
	800	222.2	62.0	186	79.5								
	960	266.7	56.5										

### 参数表 Standard performance

泵型号 Type	流量 Capacity Q		扬程 Head m	转速 Speed r/min	轴功率 Shaft power kW	效率 eff η %	有效汽 蚀余量 NPSHa m	电机功率 Motor power kW	叶轮参 考直径 D(mm)
	m³/h	l/s							
SBS 250-710E	904	251	184	1450	579	78.3	3.4	800	718
	1130	314	175		674	80			
	1356	377	164		775	78.2			
	782	217	161		444	77.2	3.3	630	669
	978	272	152		513	79			
	1174	326	141		578	78			
	738	205	136		358	76.5	3.2	500	622
	922	256	128		415	77.5			
1106	307	118	465	76.5					
692	192	113	290	76.1	3.0	400	475		
865	240	106	325	76.5					
1038	288	99	360	75.5					

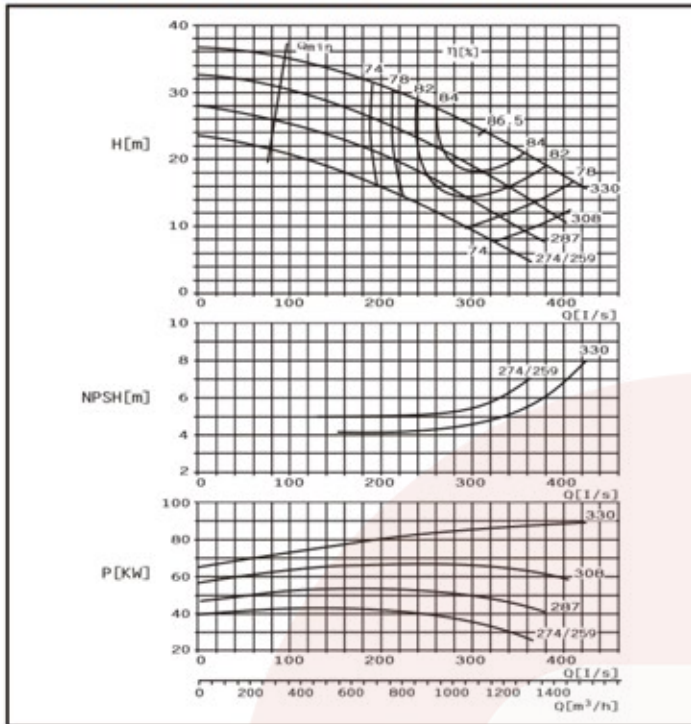
### 主要外型尺寸 pump outline size

泵型号 type	法兰尺寸 flange size										泵尺寸 pump size						泵重量W.T	
	进口法兰 inlet flange					出口法兰 outlet flange												
	DN1	S1	K	D	n-φd	DN2	S2	K	D	n-φd	a1	a2	f	h5≤	12	z <sup>1)</sup>	净重N.T	湿重G.T
250-600	300	42	430	490	16-φ30	250	40	370	430	12-φ30	650	550	730	1275	515	830	1215	1395
250-710											750	650	810	1430	585	960	1580	1855

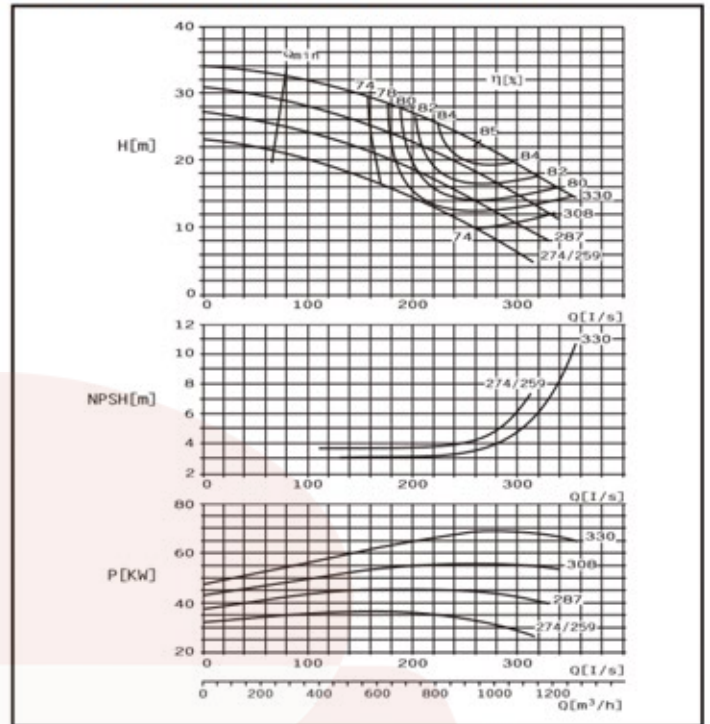
### 电机尺寸——Y型电机 Motor size

泵型号 Type	电机 Motor		b2	h4	h6	h7	l3	l4	l5	l6	i	q	电机重量 (kg) Motor W · T	底座参考 重量(kg) Baseplate W · T	地脚螺栓 anchor bolt
	型号 Type	功率 Power (kW)													
250-600	315L	200	700	480	830	1380	2030	915	-	210	1340	1240	410	6-M24×500	
	355(6KV)	220-315				1255	2720	790	790		1820	2160	440		8-M24×500
	400(6KV)	355-560				710	510	860	1295	2890	840	840	230	1940	
250-710	400(6KV)	400-560	950	550	950	1385	2780	860	860	210	1940	2620	480	8-M30×600	
	450(6KV)	630-800				1435	2900	900	900		2080	3850	520		

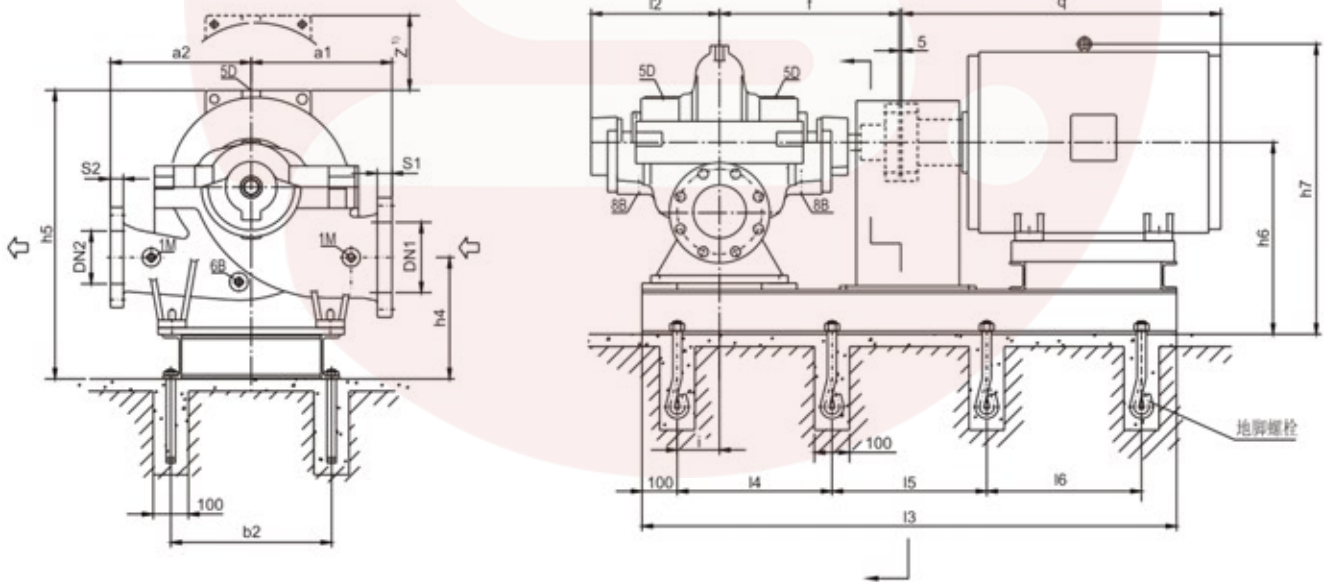
SBS300-300 E特性曲线 n=1450r/min



SBS300-300 F特性曲线 n=1450r/min



SBS卧式泵安装尺寸图 Installing dimensions of SBS pumps



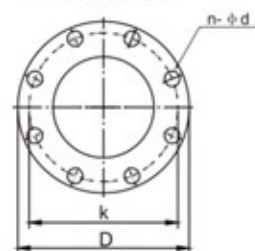
连接尺寸 connection dimensions:

- |                |                         |
|----------------|-------------------------|
| 1M 压力表 Rp1/2   | 1M pressure gauge Rp1/2 |
| 6B 排液孔 Rp1/2   | 6B drain plug Rp1/2     |
| 5D 排气孔 Rp1/2   | 5D air vent Rp1/2       |
| 8B 漏液排出孔 Rp3/4 | 8B drain plug Rp3/4     |

Z<sup>1)</sup> 拆卸转子所需最小空间尺寸

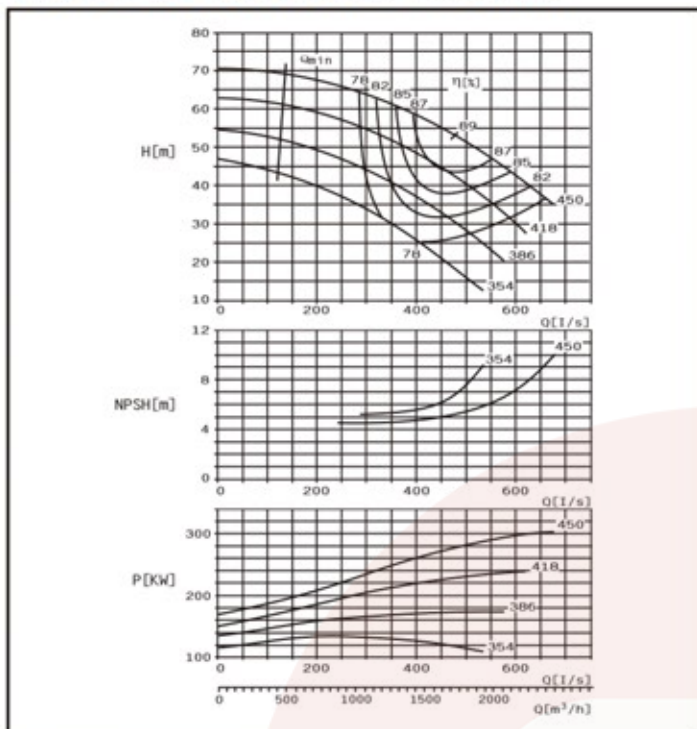
Z<sup>1)</sup> Min.dimensions of disassembling rotor assembly

法兰钻孔示意图

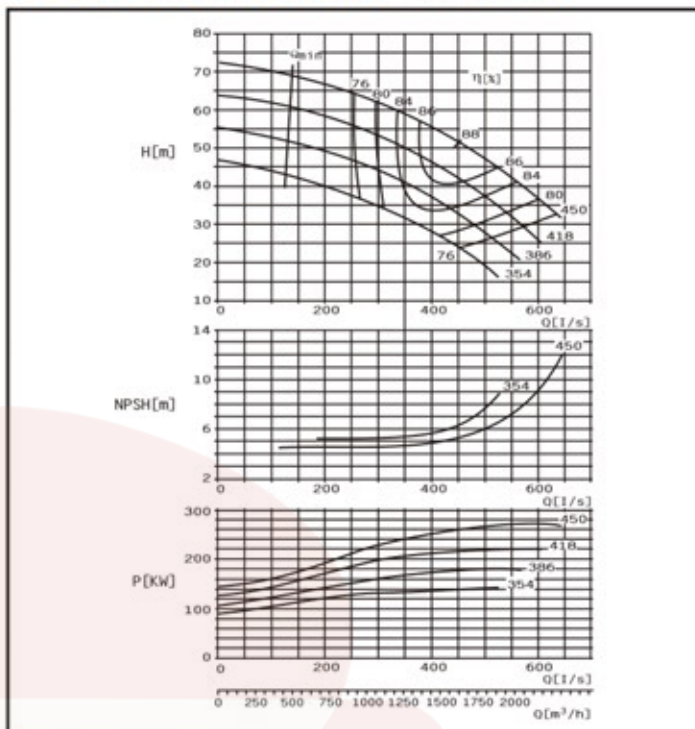




SBS300-435 E特性曲线 n=1450r/min



SBS300-435 F特性曲线 n=1450r/min



参数表 Standard performance

泵型号 Type	流量 Capacity Q		扬程 Head m	转速 Speed r/min	轴功率 Shaft power kW	效率 eff η %	有效汽 蚀余量 NPSH <sub>a</sub> m	电机功率 Motor power kW	叶轮参 考直径 D(mm)
	m³/h	l/s							
SBS 300-300E	878	244	28.8	1450	83.8	82.3	5.3	110	330
	1098	305	24.5		85.2	86.5			
	1318	366	20		89.4	80.3			
	835	232	23.5		66.4	80.5			
	1044	290	19.8		66.6	84.5			
	1253	348	15		63.2	81			
	806	224	19		52.8	79			
1008	280	15.5	51.9	82					
1210	336	11.4	48.2	78					
772	214	15	41.5	76					
965	268	11.5	37.8	80					
1158	322	7.5	32	74					
SBS 300-300F	745	208	26.2	1450	64.4	83	4.1	75	330
	936	260	23		69	85			
	1123	312	20		72.9	84			
	691	192	24.0		56.2	80.5			
	864	240	20		56	84			
	1037	288	15.8		55.1	81			
	639	178	20		45.5	76.5			
800	222	16.7	44.9	81					
960	267	13.5	44.6	79					
560	156	17.5	37.1	72					
700	194	15	37.1	77					
840	233	12	36.1	76					

参数表 Standard performance

泵型号 Type	流量 Capacity Q		扬程 Head m	转速 Speed r/min	轴功率 Shaft power kW	效率 eff η %	有效汽 蚀余量 NPSH <sub>a</sub> m	电机功率 Motor power kW	叶轮参 考直径 D(mm)
	m³/h	l/s							
SBS 300-435E	1342	373	60	1450	257	85.5	7.1	315	450
	1677	466	53		275	89			
	2012	559	46		295	85.5			
	1262	350	52		213	84			
	1577	438	45		223	86.5			
1892	526	37.5	230	84					
1181	328	42.5	171	80					
1476	410	36.5	175	84					
1771	492	28.5	172	80					
1088	302	33.8	132	76					
1360	378	27.5	129	79					
1530	425	24	128	78					
1396	360	57.5	240	84.8					
1620	450	51.5	260	88					
1944	540	43.5	273	84.5					
1215	338	51.5	206	83					
1519	422	45	215	86.5					
1823	506	37.5	222	84					
1138	316	43.5	168	80.5					
1422	395	37.5	173	84					
1706	474	30	174	80					
1066	296	35	130	78					
1332	370	30.5	136	81.5					
1598	444	24.5	138	77.5					

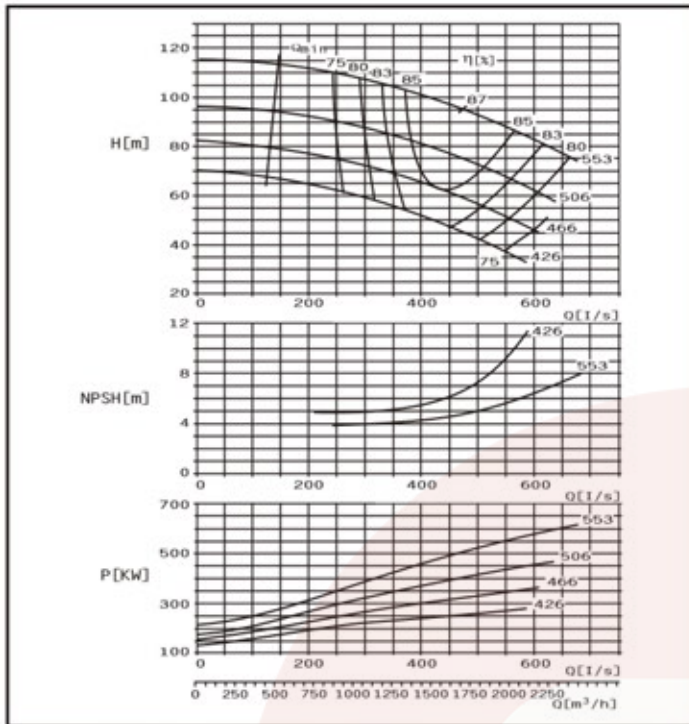
主要外型尺寸 pump outline size

泵型号 type	法兰尺寸 flange size										泵尺寸 pump size					泵重量W.T		
	进口法兰 inlet flange					出口法兰 outlet flange					a1	a2	f	h5≤	12	z <sup>1)</sup>	净重N.T	湿重G.T
	DN1	S1	K	D	n-φd	DN2	S2	K	D	n-φd								
300-300	350	38	460	525	16-φ22	300	36	400	465	12-φ22	550	500	655	1430	464	726	630	730
300-435	400	40	515	585	16-φ26						650	550	730		515	730	905	1095

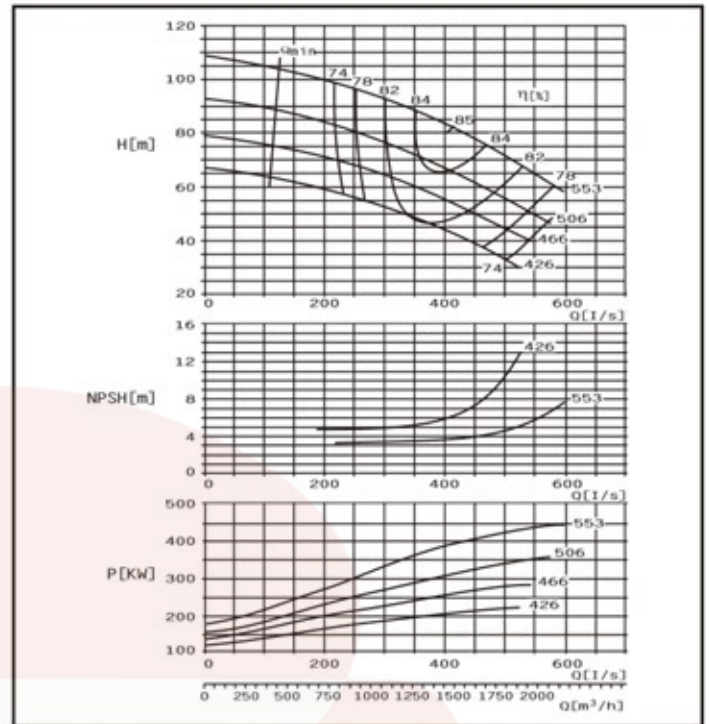
电机尺寸——Y型电机 Motor size

泵型号 Type	电机Motor		b2	h4	h6	h7	l3	l4	l5	l6	i	q	电机重量 (kg) Motor W · T	底座参考 重量(kg) Baseplate W · T	地脚螺栓 anchor bolt
	型号 Type	功率 Power (kW)													
300-300	225M	45	700	510	810	1115	1560	680	-	150	845	320	190	6-M24×500	
	250M	55				1135	1620	710							
	280S	75				1170	1690	745							
	280M	90				1360	1810	805							
	315S	110				1422	2030	915							
300-435	315L	160/200	700	520	870	1295	2740	790	790	210	1340	1240	410	8-M24×500	
	355(6KV)	220-315				1820	2160	540							

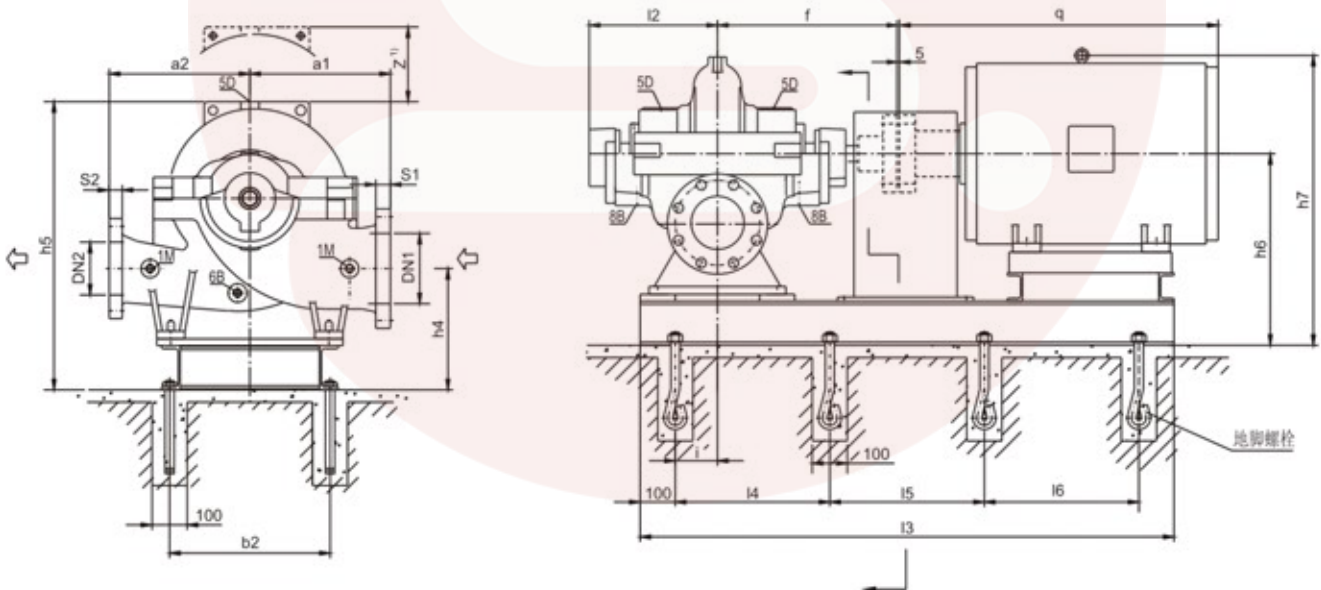
SBS300-560 E特性曲线 n=1450r/min



SBS300-560 F特性曲线 n=1450r/min



SBS卧式泵安装尺寸图 Installing dimensions of SBS pumps



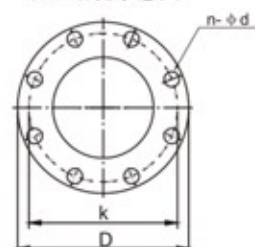
连接尺寸 connection dimensions:

- |                |                         |
|----------------|-------------------------|
| 1M 压力表 Rp1/2   | 1M pressure gauge Rp1/2 |
| 6B 排液孔 Rp1/2   | 6B drain plug Rp1/2     |
| 5D 排气孔 Rp1/2   | 5D air vent Rp1/2       |
| 8B 漏液排出孔 Rp3/4 | 8B drain plug Rp3/4     |

Z<sup>1)</sup> 拆卸转子所需最小空间尺寸

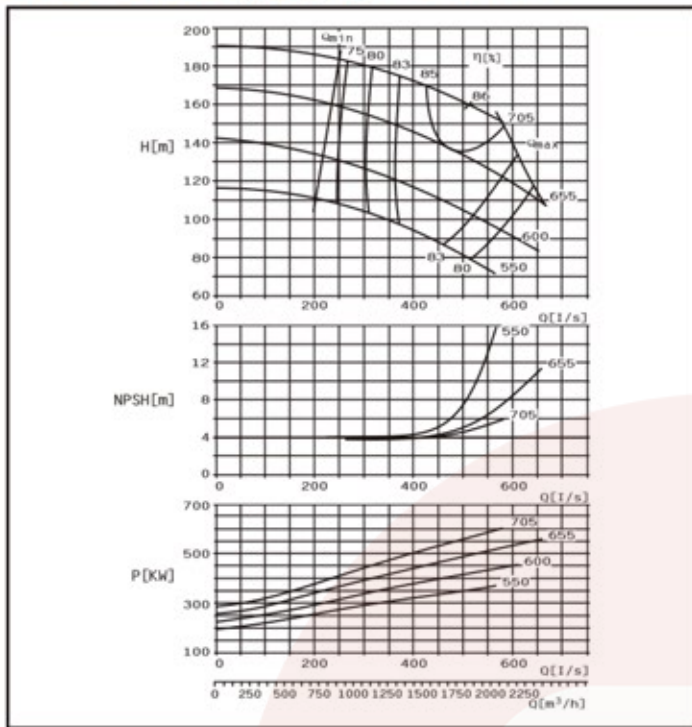
Z<sup>1)</sup> Min.dimensions of disassembling rotor assembly

法兰钻孔示意图

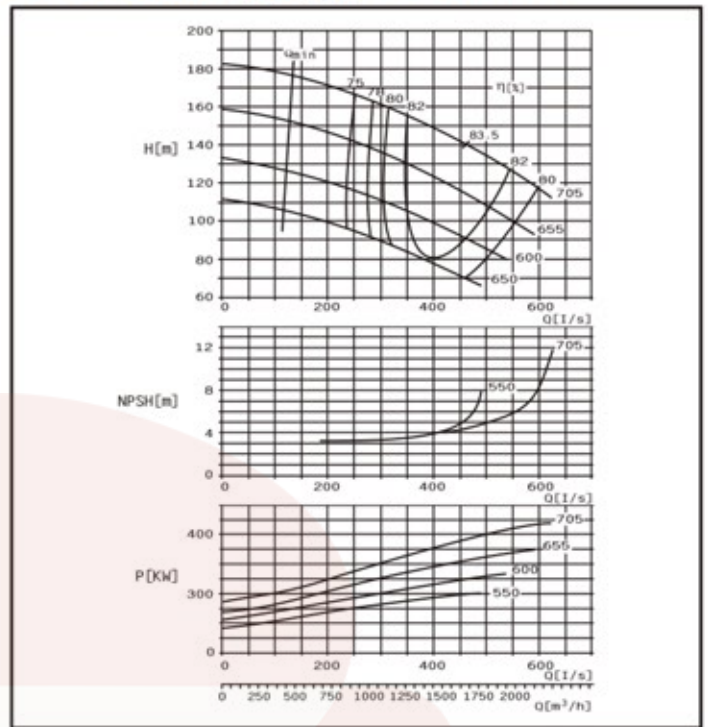




SBS300-700 E特性曲线 n=1450r/min



SBS300-700 F特性曲线 n=1450r/min



参数表 Standard performance

泵型号 Type	流量 Capacity Q		扬程 Head m	转速 Speed r/min	轴功率 Shaft power kW	效率 eff η	有效汽 蚀余量 NPSHa m	电机功率 Motor power kW	叶轮参 考直径 D(mm)	
	m³/h	l/s								
SBS 300-560E	1397	388	101.5	1450	454	85.2	5.7	630	553	
	1746	485			520	87				
	2095	582			570	83.5				
	1316	366	83.5		357	83.8				
	1645	457	76		389	85.5				
	1974	548	67		433	83.3				
SBS 300-560F	1258	350	68	1450	281	83	6.7	355	466	
	1573	437			313	85				
	1819	505			42	339				82
	1213	337	57		232	81.2				
	1516	421	50		247	83.5				
	1819	505	42		260	80				
SBS 300-560E	1238	344	88.5	1450	359	83.2	5.15	450	553	
	1548	430			398	85				
	1858	516			427	83				
	1158	322	75		286	82.7				
	1447	402	67		316	83.5				
	1736	482	57		331	81.5				
SBS 300-700E	1089	302	64	1450	235	81	6.15	280	466	
	1361	378			255	83				
	1633	454			273	81.5				
	1350	375	152		1350	375				152
	1688	469	139		1688	469				139
	2026	563	124		1845	512				80
SBS 300-700F	1258	350	130	1450	350	82	4.85	710	655	
	1573	437			398	83				
	1888	524			427	83				
	1160	322	108		1160	322				108
	1450	403	99		1450	403				99
	1740	483	87		1740	483				87
SBS 300-700E	1074	298	90	1450	298	80.3	4.1	400	550	
	1342	373			361	82				
	1610	447			411	80.3				
	662	84	147		662	84				147
	760	84.6	136		760	84.6				136
	854	83	125		854	83				125

参数表 Standard performance

泵型号 Type	流量 Capacity Q		扬程 Head m	转速 Speed r/min	轴功率 Shaft power kW	效率 eff η	有效汽 蚀余量 NPSHa m	电机功率 Motor power kW	叶轮参 考直径 D(mm)	
	m³/h	l/s								
SBS 300-700E	1469	408	170	1450	810	84	4.95	1120	705	
	1836	510			941	86				
	2070	575			1011	84.2				
	1388	386	147		1388	386				147
	1735	482	136		1735	482				136
	2082	578	125		2082	578				125
SBS 300-700F	1296	361	122	1450	521	82.8	5.0	630	710	
	1623	451			587	84.3				
	1948	541			647	82				
	1230	342	100		1230	342				100
	1537	427	91		1537	427				91
	1845	512	80		1845	512				80
SBS 300-700E	1350	375	152	1450	679	82.3	5.15	500	705	
	1688	469			765	83.5				
	2026	563			840	81.5				
	1258	350	130		1258	350				130
	1573	437	119		1573	437				119
	1888	524	105		1888	524				105
SBS 300-700F	1160	322	108	1450	422	81	4.35	560	600	
	1450	403			474	82.5				
	1740	483			512	80.5				
	1074	298	90		1074	298				90
	1342	373	81		1342	373				81
	1610	447	71.5		1610	447				71.5

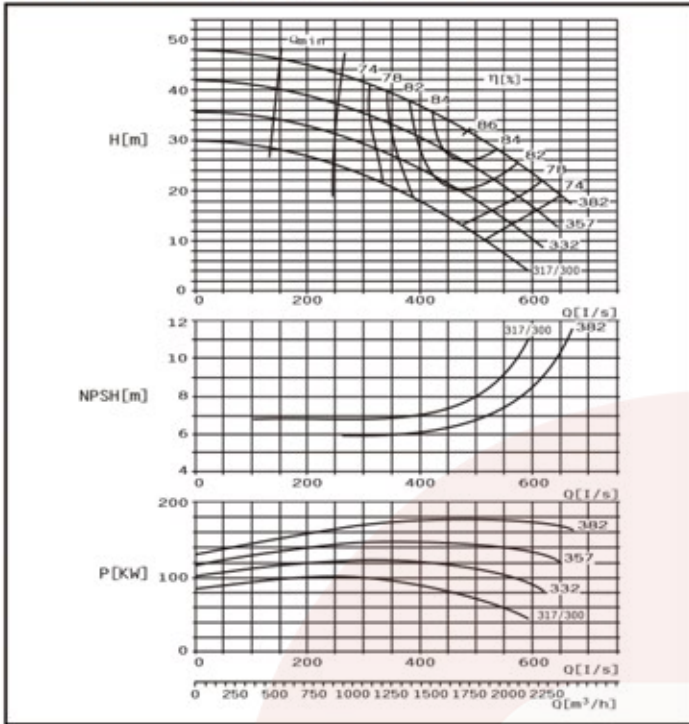
主要外型尺寸 pump outline size

泵型号 type	法兰尺寸 flange size										泵尺寸 pump size					泵重量W.T			
	进口法兰 inlet flange					出口法兰 outlet flange					a1	a2	f	h5≤	12	z <sup>1)</sup>	净重N.T	湿重G.T	
	DN1	S1	K	D	n-φd	DN2	S2	K	D	n-φd									
300-560	400	40	525	585	16-φ30	300	36	410	465	12-φ25	700	650	810	1430	585		860	1425	1650
300-700	400	48	550	610	16-φ34	300	42	430	490	16-φ30	750						960	1690	1965

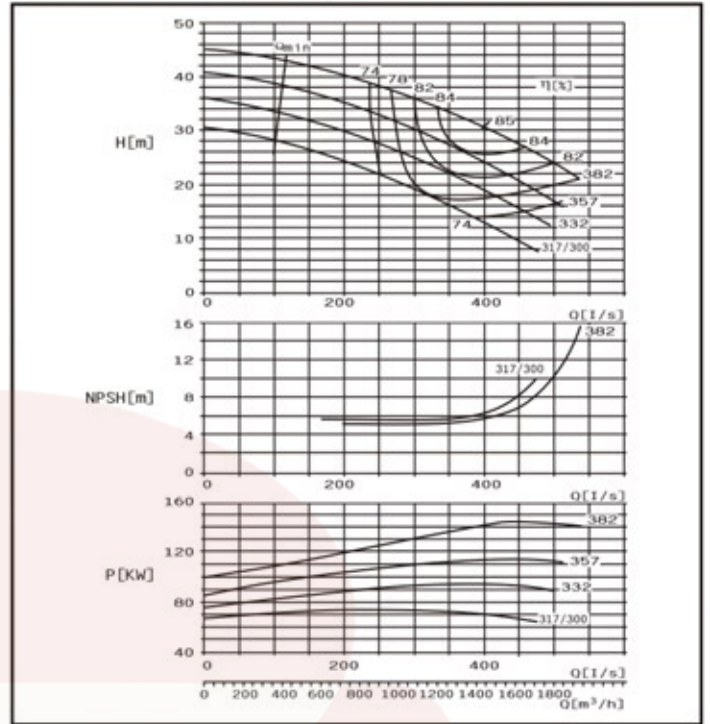
电机尺寸——Y型电机 Motor size

泵型号 Type	电机 Motor		b2	h4	h6	h7	l3	l4	l5	l6	i	q	电机重量 Motor W · T (kg)	底座参考 重量(kg) Baseplate W · T	地脚螺栓 anchor bolt			
	型号 Type	功率 Power (kW)																
300-560	355(6KV)	220-315	950	560	910	1335	2815	820	820	210	1820	2160	2160	440	8- M30×600			
	400(6KV)	355-560				1345	2930	860	860							1940	2620	480
	450(6KV)	630				1395	3065	900	900									
300-700	400(6KV)	400-560	950	550	950	1385	2930	860	860	210	1940	2620	480	520				
	450(6KV)	630-900				1435	3065	900	900							2080	3850	480
	500(6KV)	1000/1120				1490	3350	1000	1000									

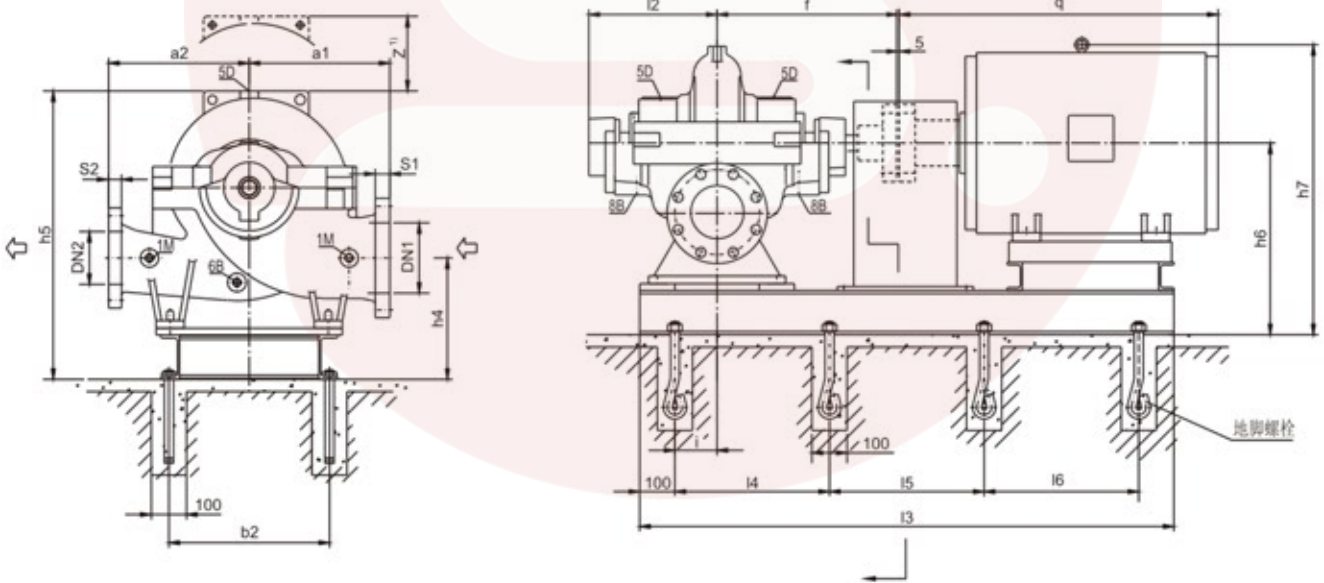
SBS350-360 E特性曲线 n=1450r/min



SBS350-360 F特性曲线 n=1450r/min



SBS卧式泵安装尺寸图 Installing dimensions of SBS pumps



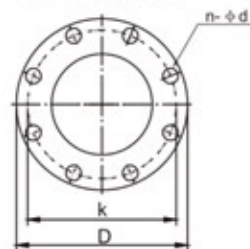
连接尺寸 connection dimensions:

- |                |                         |
|----------------|-------------------------|
| 1M 压力表 Rp1/2   | 1M pressure gauge Rp1/2 |
| 6B 排液孔 Rp1/2   | 6B drain plug Rp1/2     |
| 5D 排气孔 Rp1/2   | 5D air vent Rp1/2       |
| 8B 漏液排出孔 Rp3/4 | 8B drain plug Rp3/4     |

Z<sup>1)</sup> 拆卸转子所需最小空间尺寸

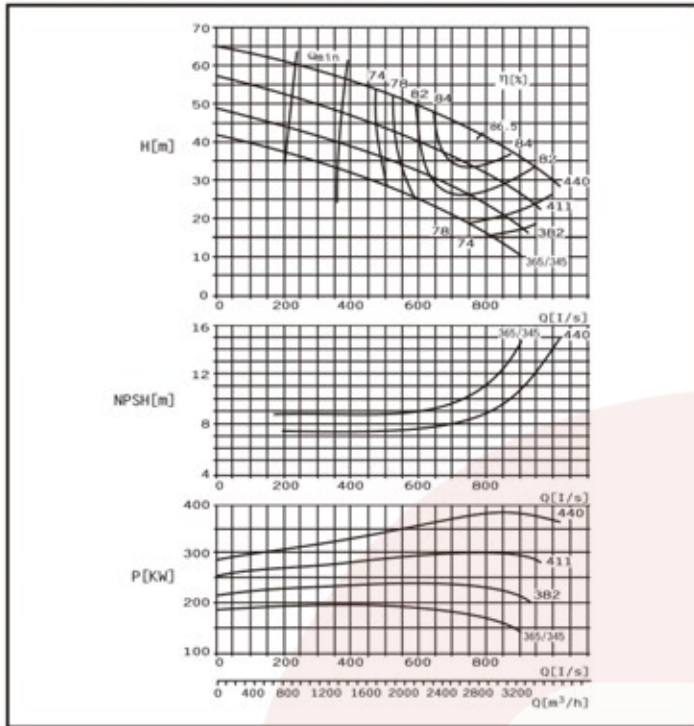
Z<sup>1)</sup> Min.dimensions of disassembling rotor assembly

法兰钻孔示意图

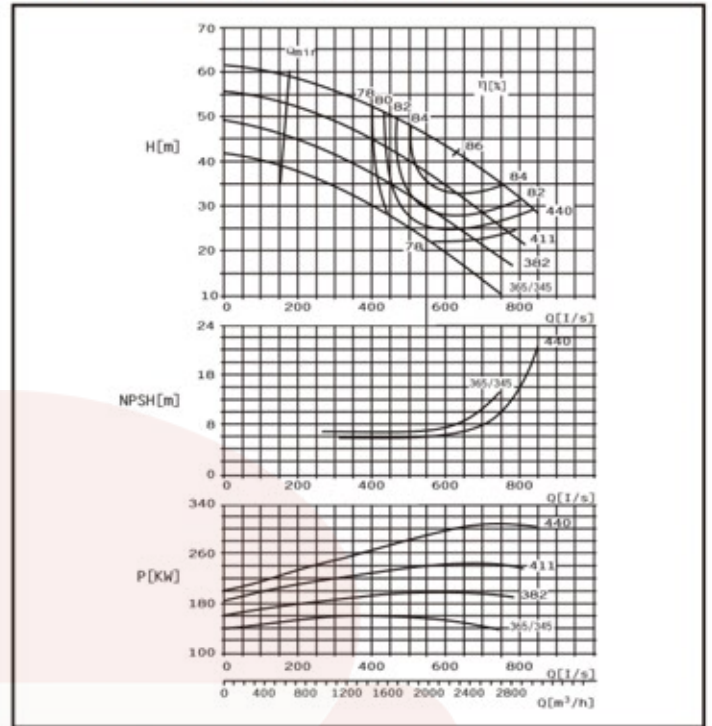




SBS350-430 E特性曲线 n=1450r/min



SBS350-430 F特性曲线 n=1450r/min



参数表 Standard performance

泵型号 Type	流量 Capacity Q		扬程 Head m	转速 Speed r/min	轴功率 Shaft power kW	效率 eff η %	有效汽 蚀余量 NPSHa m	电机功率 Motor power kW	叶轮参 考直径 D(mm)
	m³/h	l/s							
SBS 350-360E	1385	385	37.5	1450	171	83	8.1	200	382
	1731	481	32		175	86.5			
	2077	577	29		146	81			
	1354	376	32		144	85			
	1692	470	26.5		138	80			
SBS 350-360F	1313	365	26.5	1450	120	78.8	8.7	132	332
	1641	456	21		113	83			
	1969	547	15		103	78			
	1282	356	20		91	76.3			
	1602	445	15		81	80.5			
SBS 350-430E	1922	534	9	1450	64	74	8.9	110	300
	1138	316	35.5		133	83			
	1422	395	31		140	85.5			
	1706	474	25.8		144	83.3			
	1068	297	30.5		110	81			
SBS 350-430F	1335	371	26.3	1450	114	84	6.2	132	357
	1602	445	21.3		115	81			
	1016	282	25.6		90	79			
	1270	353	22.5		95	82			
	1524	423	17.5		93	78			
SBS 350-430F	950	264	21.5	1450	74	75.5	6.7	90	300
	1188	330	17.8		74	78			
	1397	388	13.7		71	74			
	1786	496	48		1786	496			
	2232	620	42.5		2232	620			

参数表 Standard performance

泵型号 Type	流量 Capacity Q		扬程 Head m	转速 Speed r/min	轴功率 Shaft power kW	效率 eff η %	有效汽 蚀余量 NPSHa m	电机功率 Motor power kW	叶轮参 考直径 D(mm)
	m³/h	l/s							
SBS 350-430E	2194	610	49.5	1450	353	84	12.2	400	440
	2743	762	43.5		371	87.5			
	3292	914	35		291	82			
	2108	586	41.5		294	85.5			
	2635	732	35		281	82.8			
SBS 350-430F	3162	878	27	1450	231	80	13.1	250	382
	2050	570	33		229	84			
	2563	712	27.5		210	80			
	3076	854	20		187	78			
	1987	552	27		180	81			
SBS 350-430F	2484	690	21.5	1450	160	76.3	9.0	315	440
	2981	828	15		277	84.2			
	1786	496	48		299	86.5			
	2232	620	42.5		303	84.2			
	2678	744	35		237	81.5			
SBS 350-430F	1670	464	42.5	1450	242	84.5	9.0	250	411
	2088	580	36		240	82			
	2506	696	28.8		193	78.5			
	1590	442	35		198	82			
	1987	552	30		195	79.2			
SBS 350-430F	2394	662	23.5	1450	160	76	9.9	220	382
	1486	413	30		161	78.5			
	1858	516	25		148	76			
	2230	619	18.5						

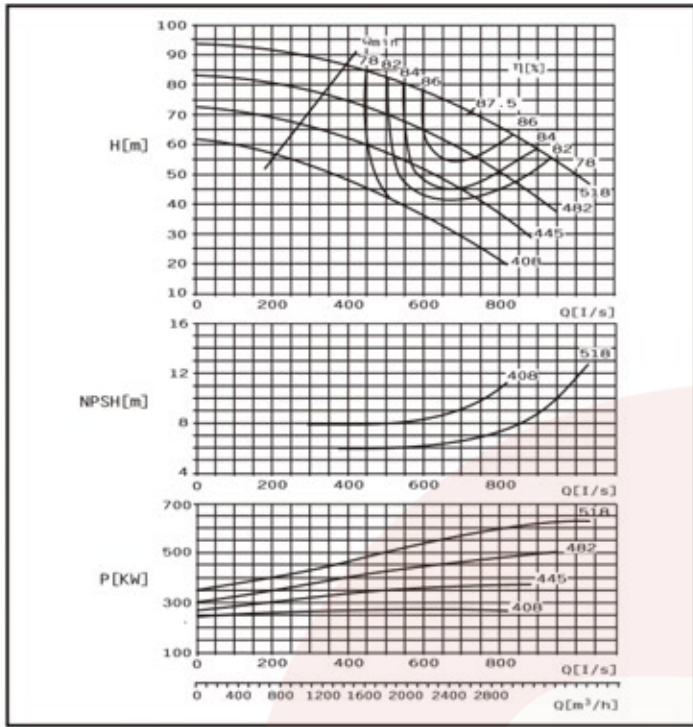
主要外型尺寸 pump outline size

泵型号 type	法兰尺寸 flange size										泵尺寸 pump size						泵重量W.T	
	进口法兰 inlet flange					出口法兰 outlet flange					泵尺寸 pump size						泵重量W.T	
	DN1	S1	K	D	n-φd	DN2	S2	K	D	n-φd	a1	a2	f	h5≤	12	z <sup>1)</sup>	净重N.T	湿重G.T
350-360	400	40	515	585	16-φ26	350	38	460	525	16-φ22	650	550	730	1415	515	820	865	1025
350-430	450	44	565	645	20-φ26						750	650	810		585	930	1285	1525

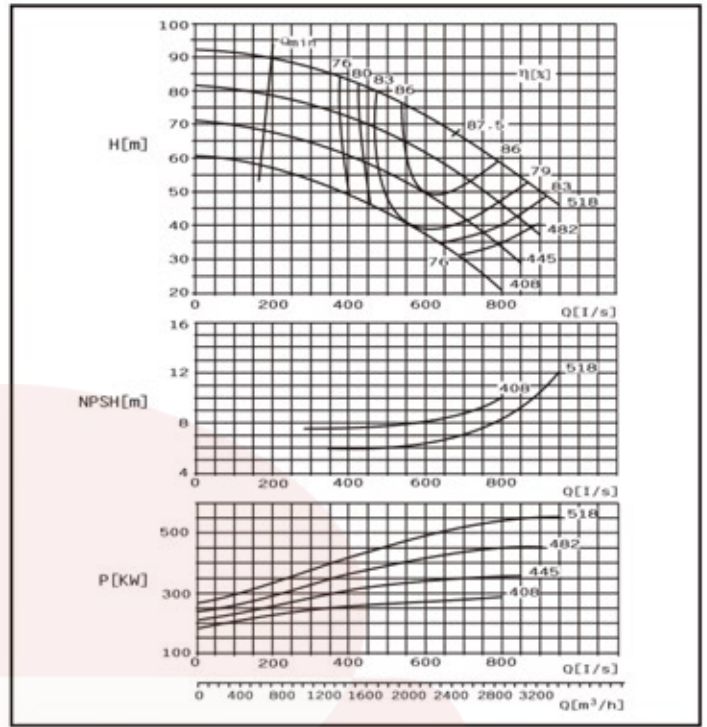
电机尺寸——Y型电机 Motor size

泵型号 Type	电机 Motor		b2	h4	h6	h7	l3	l4	l5	l6	i	q	电机重量 (kg) Motor W · T	底座参考 重量(kg) Baseplate W · T	地脚螺栓 anchor bolt
	型号 Type	功率 Power (kW)													
350-360	280M	90	700	520	870	1230	1880	840	-	210	1050	667	250	410	6-M24×500
	315S	110													
	315M	132													
	315L	160/200													
350-430	315L	200	950	550	950	1500	2110	955	-	210	1340	1240	410	410	6-M30×600
	355(6KV)	220-315													
	400(6KV)	355/400													

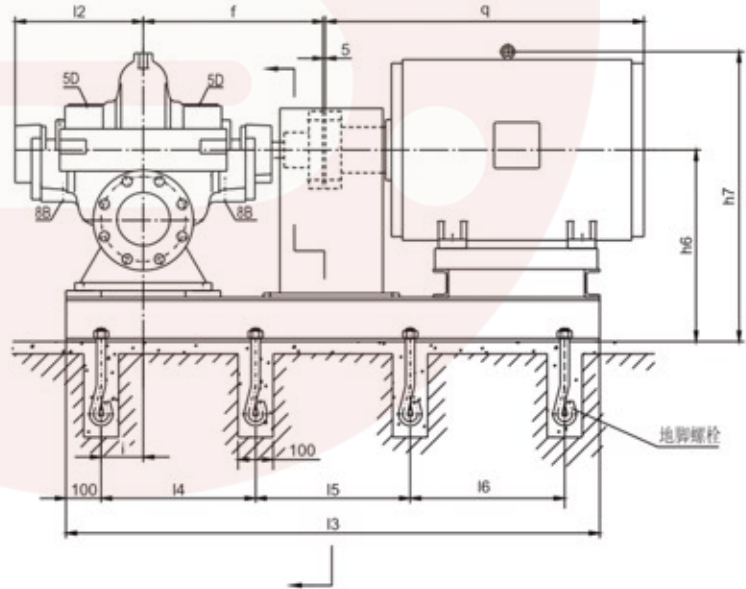
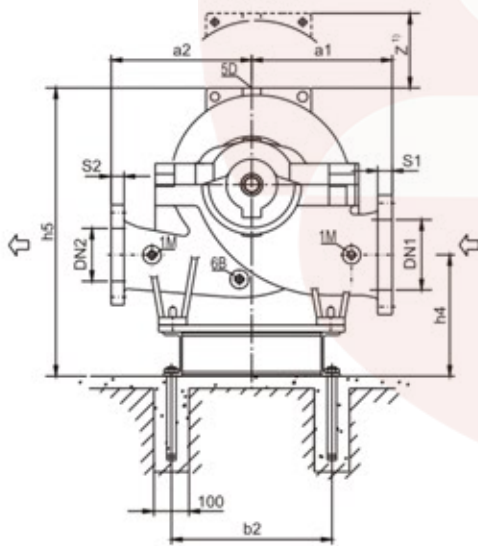
SBS350-510 E特性曲线 n=1450r/min



SBS350-510 F特性曲线 n=1450r/min



SBS卧式泵安装尺寸图 Installing dimensions of SBS pumps



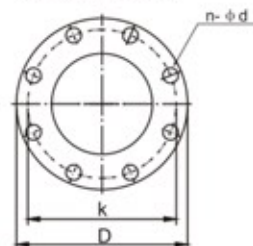
连接尺寸 connection dimensions:

- |                |                         |
|----------------|-------------------------|
| 1M 压力表 Rp1/2   | 1M pressure gauge Rp1/2 |
| 6B 排液孔 Rp1/2   | 6B drain plug Rp1/2     |
| 5D 排气孔 Rp1/2   | 5D air vent Rp1/2       |
| 8B 漏液排出孔 Rp3/4 | 8B drain plug Rp3/4     |

Z<sup>1)</sup> 拆卸转子所需最小空间尺寸

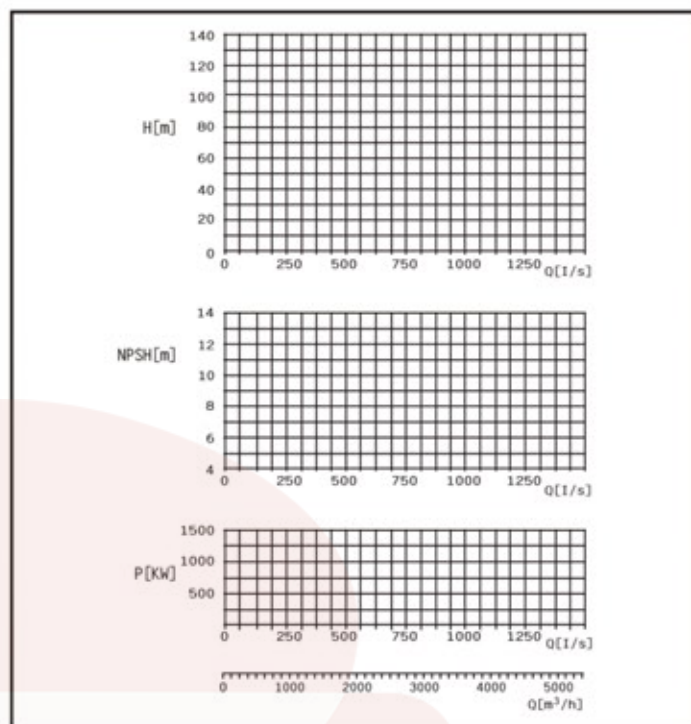
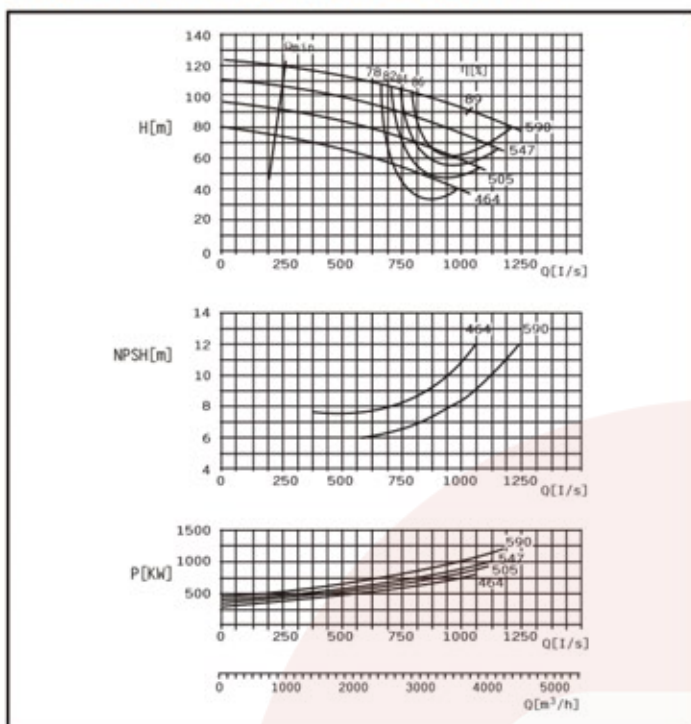
Z<sup>1)</sup> Min.dimensions of disassembling rotor assembly

法兰钻孔示意图





## SBS350-590 E特性曲线 n=1450r/min



## 参数表 Standard performance

泵型号 Type	流量 Capacity Q		扬程 Head m	转速 Speed r/min	轴功率 Shaft power kW	效率 eff η %	有效汽 蚀余量 NPSHa m	电机功率 Motor power kW	叶轮参 考直径 D(mm)
	m³/h	l/s							
SBS 350-510E	2088	580	80	1450	529	86	10.0	630	518
	2610	725	70		562	88.5			
	3132	870	60		605	84.7			
	1944	540	68		426	84.5			
	2430	675	60		456	87			
	2916	810	50		473	84			
	1786	496	57.5		345	81			
	2232	620	50		353	86			
	2678	744	40		360	81			
	1656	460	45		267	76			
2070	575	38	271	79					
2484	690	30	284	77					
1958	544	76	466	87	11.5	280	315	408	
2448	680	67	508	88					
2938	816	57	531	86					
1814	504	67.5	393	85					
2268	630	59.5	422	87					
2722	756	50	436	85					
1670	464	58	320	82.5					
2088	580	50	335	85					
2506	696	41.5	344	82.5					
1555	432	47.5	258	78					
1944	540	41.5	265	83					
2333	648	34.5	274	80					

## 参数表 Standard performance

泵型号 Type	流量 Capacity Q		扬程 Head m	转速 Speed r/min	轴功率 Shaft power kW	效率 eff η %	有效汽 蚀余量 NPSHa m	电机功率 Motor power kW	叶轮参 考直径 D(mm)
	m³/h	l/s							
SBS 350-590E	3036	843	100	1450	956	86.5	9.9	1250	590
	3795	1054	90		1046	89			
	4500	1250	78		1139	84			
	2834	787	88		800	85.1			
	3543	984	77.2		857	87			
	4162	1156	66		891	84			
	2604	723	74		648	81			
	3255	904	64.3		663	86			
	3906	1085	53		688	82			
	2556	710	56		497	78.5			
3020	839	48.9	509	79					
3623	1006	40.6	517	77.5					

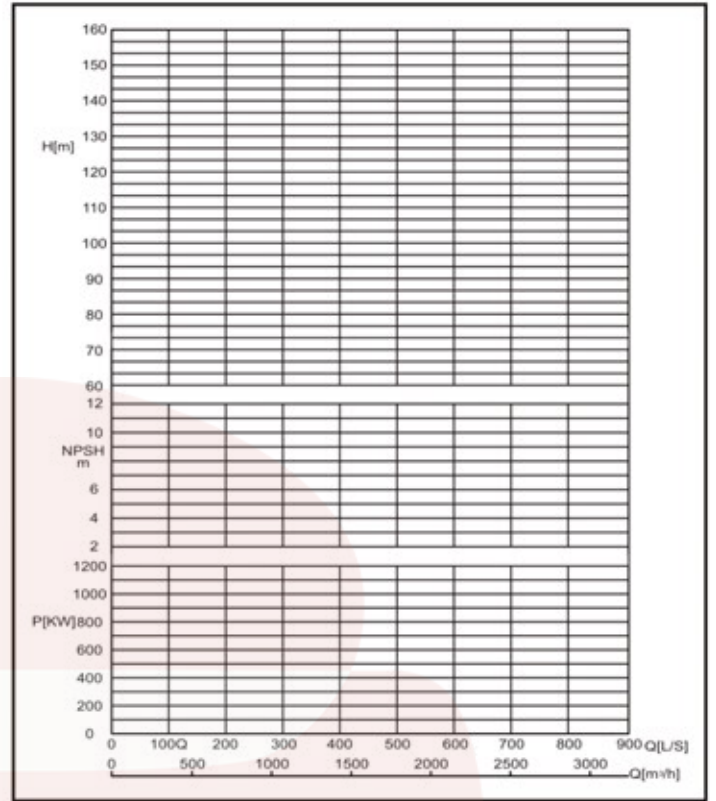
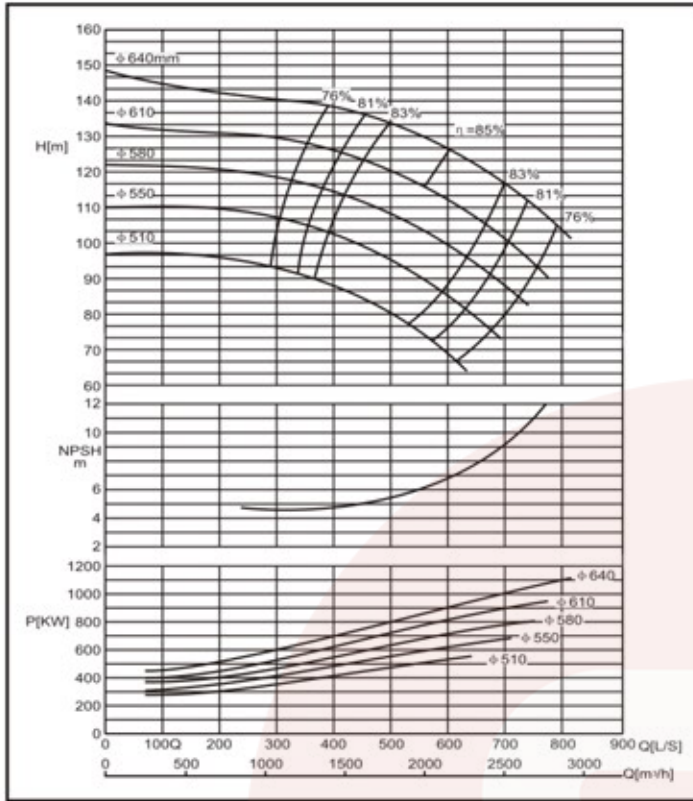
## 主要外型尺寸 pump outline size

泵型号 type	法兰尺寸 flange size										泵尺寸 pump size					泵重量W.T		
	进口法兰 inlet flange					出口法兰 outlet flange					a1	a2	f	h5≤	12	z <sup>1)</sup>	净重N.T	湿重G.T
	DN1	S1	K	D	n-φd	DN2	S2	K	D	n-φd								
350-510	400	40	515	585	16-φ26	350	38	460	525	16-φ22	700	650	810	1415	585	840	1395	1685
350-590	500	46	620	710	20-φ26						750	650				960	1510	1800

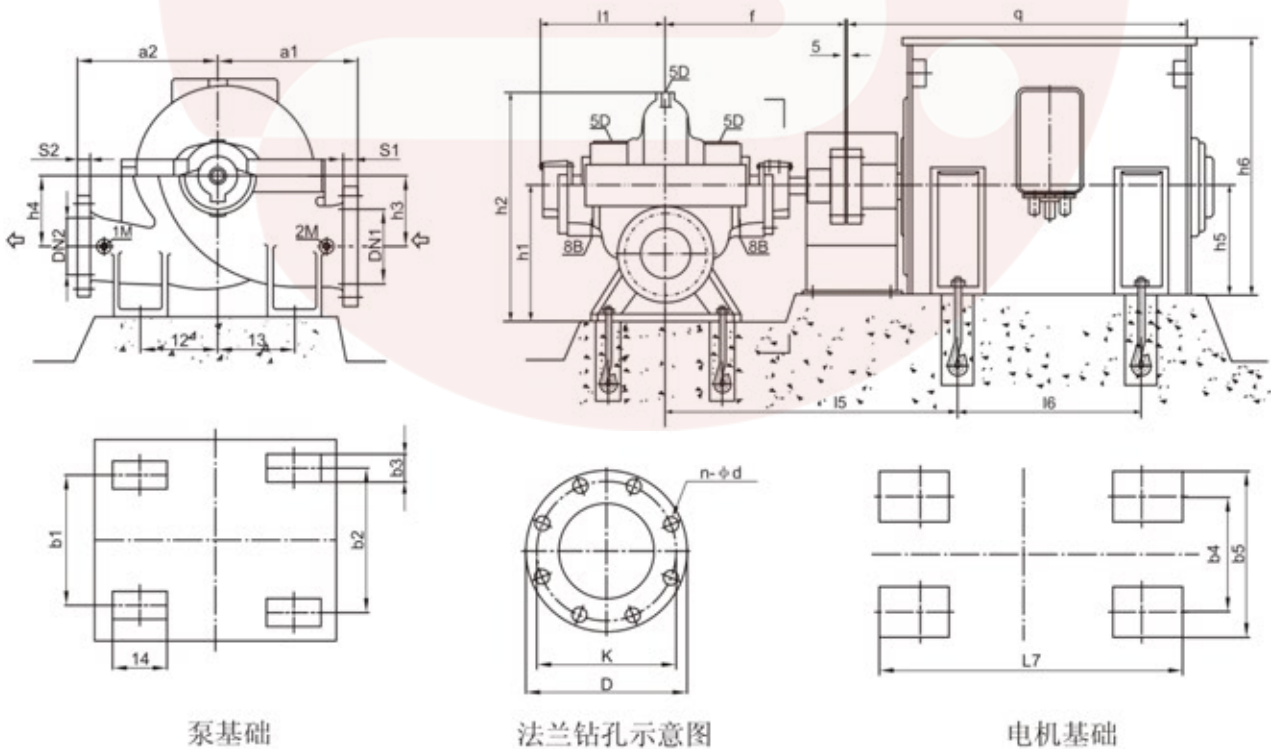
## 电机尺寸——Y型电机 Motor size

泵型号 Type	电机Motor		b2	h4	h6	h7	l3	l4	l5	l6	i	q	电机重量 (kg) Motor W · T	底座参考 重量(kg) Baseplate W · T	地脚螺栓 anchor bolt		
	型号 Type	功率Power (kW)															
350-510	355(6KV)	280/315	950	550	950	1375	2660	820	820	210	1820	2160	440	8- M30×600			
	400(6KV)	355-560				1385	2780	860	860						1940	2620	480
	450(6KV)	630				1435	2900	900	900								
350-590	400(6KV)	560	950	550	950	1385	2780	860	860	210	1940	2620	480				
	450(6KV)	630-900				1435	2900	900	900						2080	3850	520
	500(6KV)	1000-1250				1490	3200	1000	1000								

## SBS350-620E特性曲线 n=1450r/min



## SBS卧式泵安装尺寸图 Installing dimensions of SBS pumps



泵基础

法兰钻孔示意图

电机基础

连接尺寸 connection dimensions:

1M、2M 压力表 Rp1/2  
5D 排气孔 Rp1/2

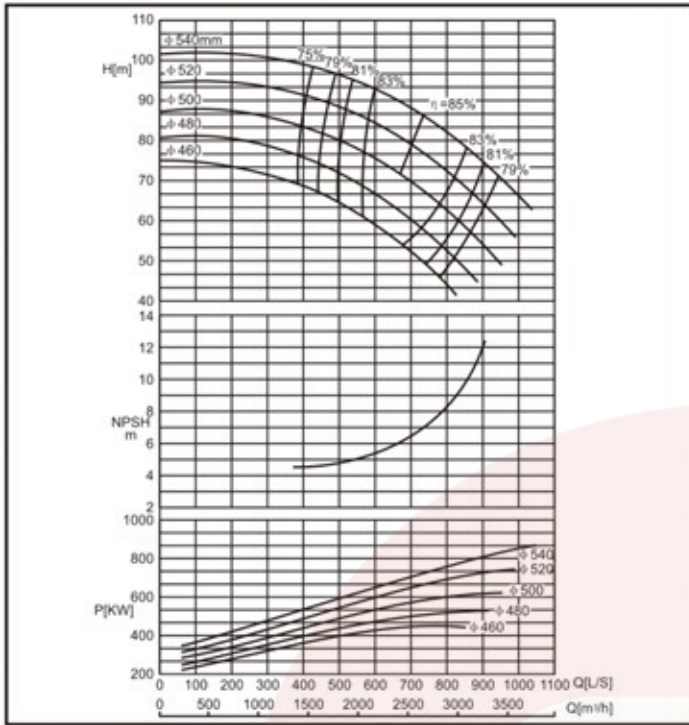
1M、2M pressure gauge Rp1/2  
5D air vent Rp1/2

6B 排液孔 Rp3/4  
8B 漏液排出孔 Rp3/4

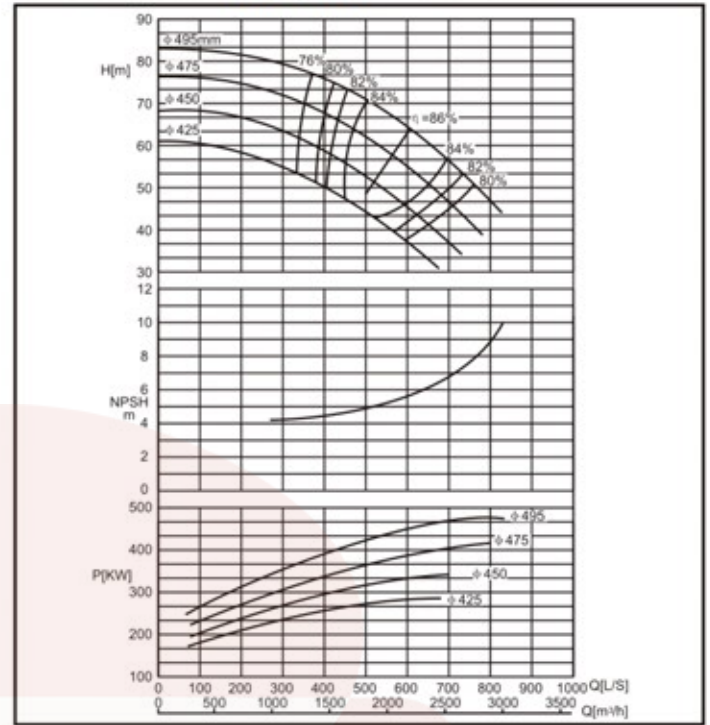
6B drain plug Rp3/4  
8B drain plug Rp3/4



SBS400-540 E特性曲线 n=1450r/min



SBS400-540 F特性曲线 n=1450r/min



参数表 Standard performance

泵型号 Type	流量 Capacity Q		扬程 Head m	转速 Speed r/min	轴功率 Shaft power kW	效率 eff η %	有效汽 蚀余量 NPSHa m	电机功率 Motor power kW	叶轮参 考直径 D(mm)
	m³/h	l/s							
SBS 350-620E	1320	366.7	139	1450	657	76	7.0	1000	640
	2200	611.1	125		881	85			
	2640	733.3	111		985	81			
	1200	333.3	129		552	76	6.5	900	610
	2100	583.3	116		743	85			
	2500	694.4	104		874	81			
	1130	313.9	118		478	76	5.8	800	580
	1900	527.8	107		651	85			
	2350	652.8	93		721	82.5			
	1100	305.6	108		426	76	5.5	630	550
1830	508.3	94	566	84					
2300	638.9	80	618	81					
1020	283.3	94	343	76	5.2	560	510		
1700	472.2	83	457	84					
2150	597.2	69	518	78					

参数表 Standard performance

泵型号 Type	流量 Capacity Q		扬程 Head m	转速 Speed r/min	轴功率 Shaft power kW	效率 eff η %	有效汽 蚀余量 NPSHa m	电机功率 Motor power kW	叶轮参 考直径 D(mm)
	m³/h	l/s							
SBS 400-540E	1570	436.1	98.5	1450	550	76.5	7.0	800	540
	2630	730.6	86		724	85			
	3420	950	70		825	79			
	1500	416.7	91		489	76	6.5	710	520
	2500	694.4	79.5		637	85			
	3250	902.8	64		717	79			
	1440	400	83		434	75	6.0	630	500
	2400	666.7	72		553	85			
	3120	866.7	57		612	79			
	1380	383.3	76		381	75	5.8	560	480
2305	640.3	64	478	84					
3000	833.3	50	517	79					
1330	369.4	69	333	75	5.5	500	460		
2210	613.9	58	420	83					
2880	800	44	442	78					
1320	366.7	77	364	76	5.6	500	495		
2200	611.1	63.5	442	86					
2860	794.4	48	473	79					
1260	350	69.5	314	76	5.5	450	475		
2100	583.3	57	383	85					
2730	758.3	41.5	395	78					
1200	333.3	53.6	231	76	5.2	355	450		
1990	552.8	49.5	321	83.5					
2500	694.4	37	327	77					
1110	308.3	54	218	75	5.0	315	425		
1850	513.9	43	261	83					
2340	650	33	277	76					

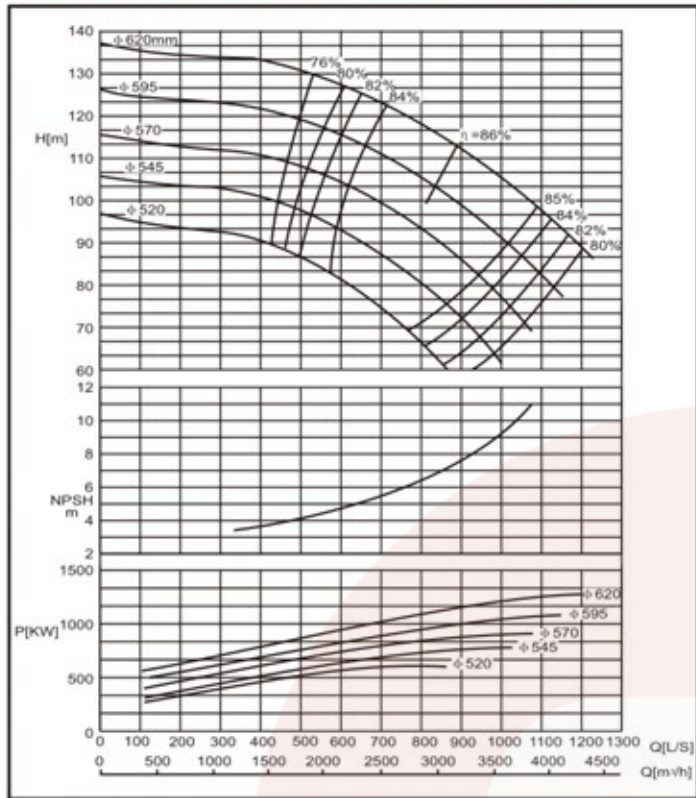
主要外型尺寸 pump outline size

泵型号 type	法兰尺寸 flange size										泵尺寸 pump size							泵重量 W.T kg	
	进口法兰 inlet flange					出口法兰 outlet flange					a1	a2	h1	h2	h3	h4	l1		f
	DN1	S1	K	D	n-φd	DN2	S2	K	D	n-φd									
350-620	400	48	550	610	16-φ34	350	44	490	550	16-φ34	740	670	775	1290	460	460	710	910	2120
400-540	500	48	650	710	20-φ34	400	40	525	585	16-φ30	730	700	820	1320	460	460	720	940	2380

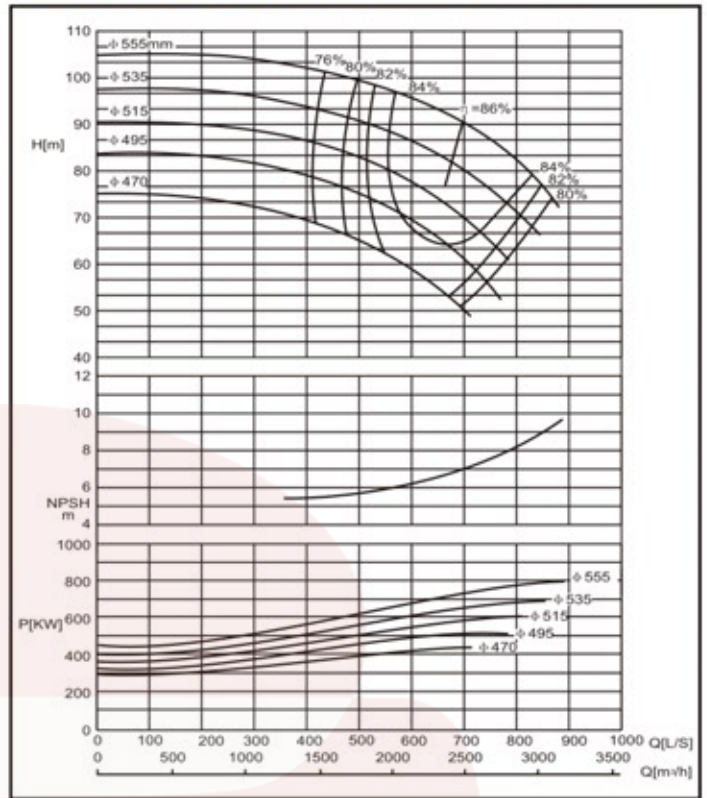
连接尺寸 connection size

泵型号 type	电机 Motor		12	13	14	b1	b2	b3	15	16	17	b4	b5	h5	h6	q	地脚螺栓 anchor		电机最大重量 motor W.T		
	型号 Type	功率(kW)															泵 pump	电机 motor			
	Y500-4(6kV)	1000																		M36×600	M36×600
350-620	Y450-4(6kV)	630-900	385	445	120	560	810	120	1640	1250	1730	900	1010	500	1040	2550	M36×600	M36×600	4070		
	Y400-4(6kV)	560							1480	1120	1620	800	910	450	935	2080			M36×600	M30×600	3850
	Y450-4(6kV)	630-900							1460	1000	1510	710	810	400	835	1940					M36×600
400-540	Y450-4(6kV)	630-900	455	505	220	720	970	120	1510	1120	1620	800	910	450	935	2080	M36×600	M30×600	3850		
	Y400-4(6kV)	355-560							1490	1000	1510	710	810	400	835	1940			M36×600	M24×500	2620
	Y355L2-4	315							1525	630	808	610	730	355	860	1545					M24×500

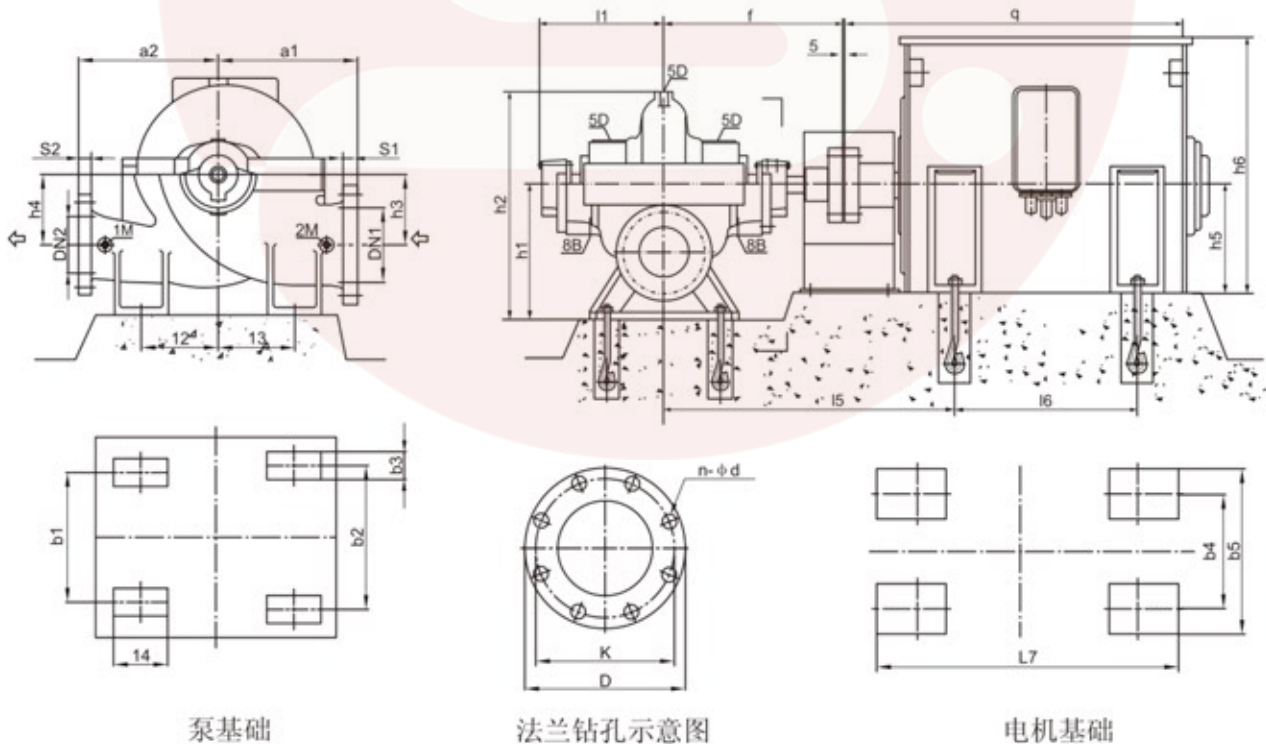
SBS400-620 E特性曲线 n=1450r/min



SBS400-620 F特性曲线 n=1450r/min



SBS卧式泵安装尺寸图 Installing dimensions of SBS pumps



泵基础

法兰钻孔示意图

电机基础

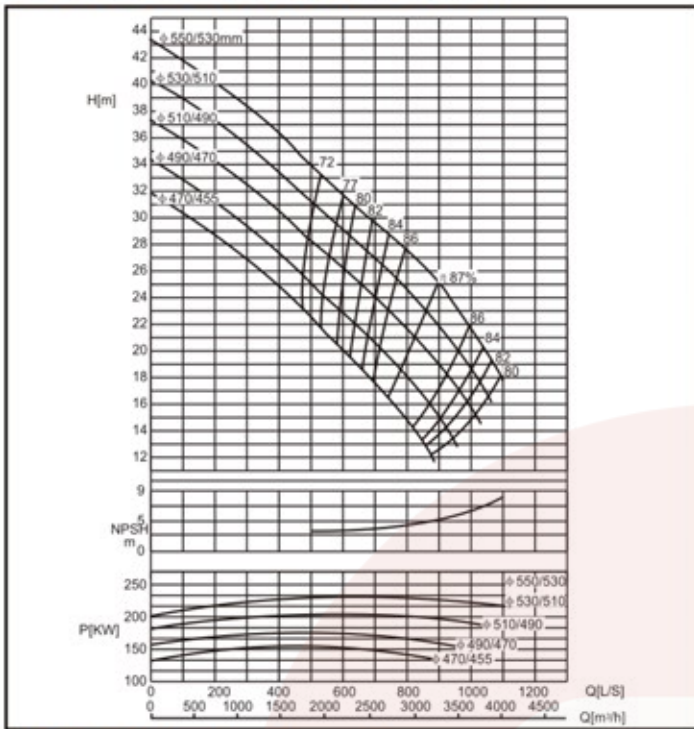
连接尺寸 connection dimensions:

1M、2M 压力表 Rp1/2      1M、2M pressure gauge Rp1/2  
5D 排气孔 Rp1/2          5D air vent Rp1/2

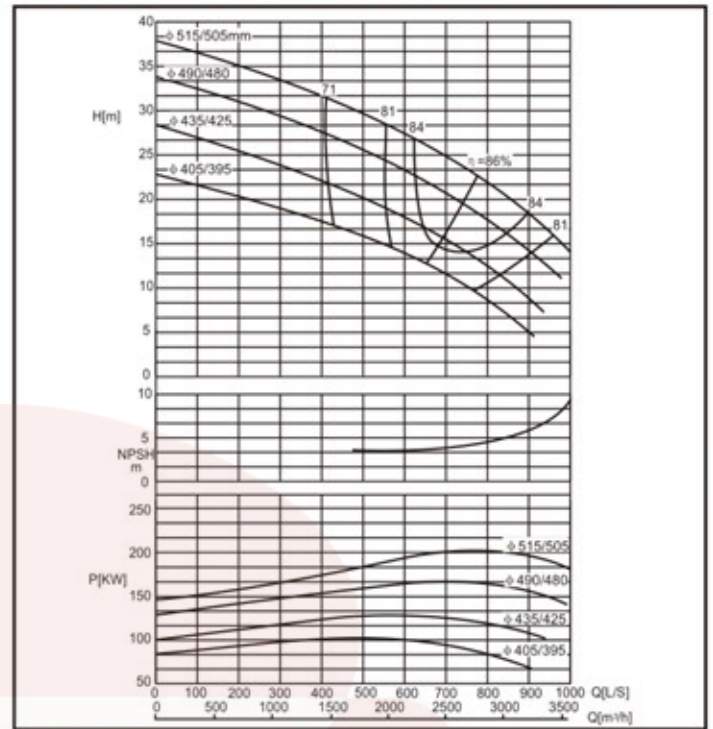
6B 排液孔 Rp3/4          6B drain plug Rp3/4  
8B 漏液排出孔 Rp3/4      8B drain plug Rp3/4



SBS500-510 E特性曲线 n=960r/min



SBS500-510 F特性曲线 n=960r/min



参数表 Standard performance

泵型号 Type	流量 Capacity Q		扬程 Head m	转速 Speed r/min	轴功率 Shaft power kW	效率 eff η %	有效汽 蚀余量 NPSHa m	电机功率 Motor power kW	叶轮参 考直径 D(mm)
	m³/h	l/s							
SBS 400-620E	1890	525	129.5	1450	877	76	7.5	1250	620
	3150	875	113		1127	86		1400	
	4100	1139	93		1250	83			
	1800	500	119		767	76	7.0	1120	595
	3020	839	103		987	85.8			
	3920	1089	83		1080	82			
	1740	483	109		679	76	6.7	1120	570
	2895	804	92		847	85.6			
	3760	1044	87		1060	84			
	1650	458	99		577	77	6.0	800	545
2760	767	83	729	85.5					
3550	986	64	773	80					
1580	439	89	491	78	5.7	710	520		
2630	731	72	603	85.5					
3050	850	61.5	625	82					
SBS 400-620F	1500	417	101.5	1450	545	76	6.8	800	555
	2485	690	90		708	86		800	
	3150	875	72		792	87			
	1440	400	94		485	76	6.5	710	535
	2400	667	82		624	85.8			
	3020	839	66		696	78			
	1440	400	79		409	75.8	5.5	630	515
	2310	642	74.5		547	85.7			
	2845	790	60		596	78			
	1330	369	79.8		385	75	6.3	560	495
2220	617	67.5	480	85					
2700	750	54	515	77					
1265	351	70.5	328	74	6.0	500	470		
2110	586	60	405	85					
2520	700	49.8	444	77					

参数表 Standard performance

泵型号 Type	流量 Capacity Q		扬程 Head m	转速 Speed r/min	轴功率 Shaft power kW	效率 eff η %	有效汽 蚀余量 NPSHa m	电机功率 Motor power kW	叶轮参 考直径 D(mm)
	m³/h	l/s							
SBS 500-510E	1945	540	33	960	239	73	5.5	280	530
	3240	900	25		253	87		280	
	3925	1090	18		241	80			
	1855	515	31		1855	72	4.5	250	510
	3095	860	23		223	87			
	3800	1056	16.5		213	80			
	1785	495	28.5		1785	72	4.0	220	490
	2975	826.4	21		196	87			
	3650	1014	14.3		180	79			
	1680	466.7	23.2		147	72	4.0	200	470
2800	778	18.5	162	87					
3420	950	13	155	78					
1600	444.4	24	149	70	3.6	160	445		
2670	742	16.5	139	86					
3150	815	12	134	77					
SBS 500-510F	1465	407	31.3	960	176	71	4.8	220	505
	2775	771	22.5		197	86		220	
	3600	1000	14		174	79			
	1465	407	27.5		155	71	4.0	200	480
	2638	732	19.5		163	86			
	3430	953	12		142	79			
	1505	418	21.8		126	71	4.0	160	425
	2450	681	15.8		123	85.5			
	3185	885	9.3		104	78			
	1365	379	17.5		94.2	69	4.0	132	395
2280	633	13.2	97.5	84					
2965	824	8.0	83.9	77					

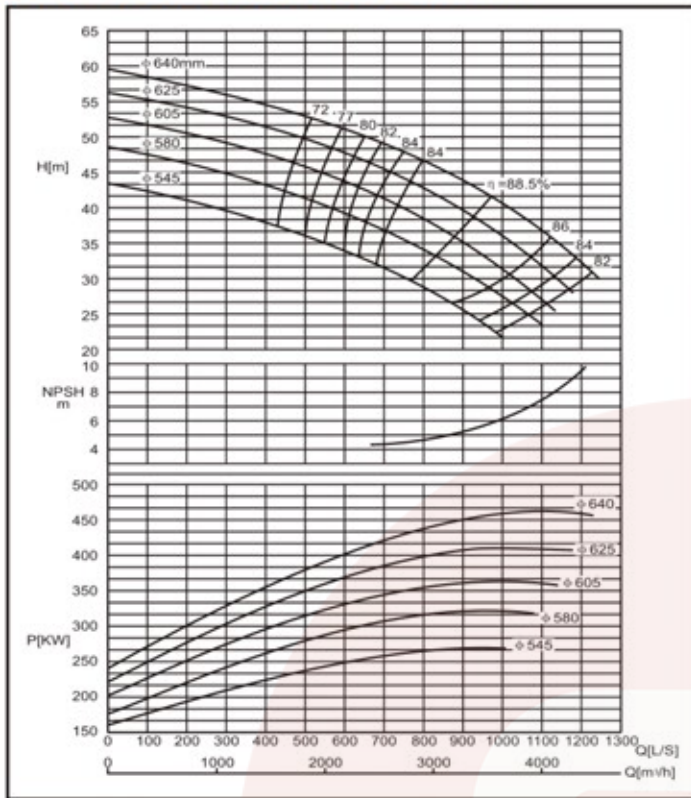
主要外型尺寸 pump outline size

泵型号 type	法兰尺寸 flange size										泵尺寸 pump size							泵重量 W.T kg	
	进口法兰 inlet flange					出口法兰 outlet flange					a1	a2	h1	h2	h3	h4	l1		f
	DN1	S1	K	D	n-φd	DN2	S2	K	D	n-φd									
400-620	500	56	650	710	20-φ34	400	48	525	585	16-φ30	800	700	850	1380	490	490	740	955	2760
500-510	600	54	770	840	20-φ41	500	46	650	710	20-φ34	850	550	900	1450	475	475	820	1025	1528

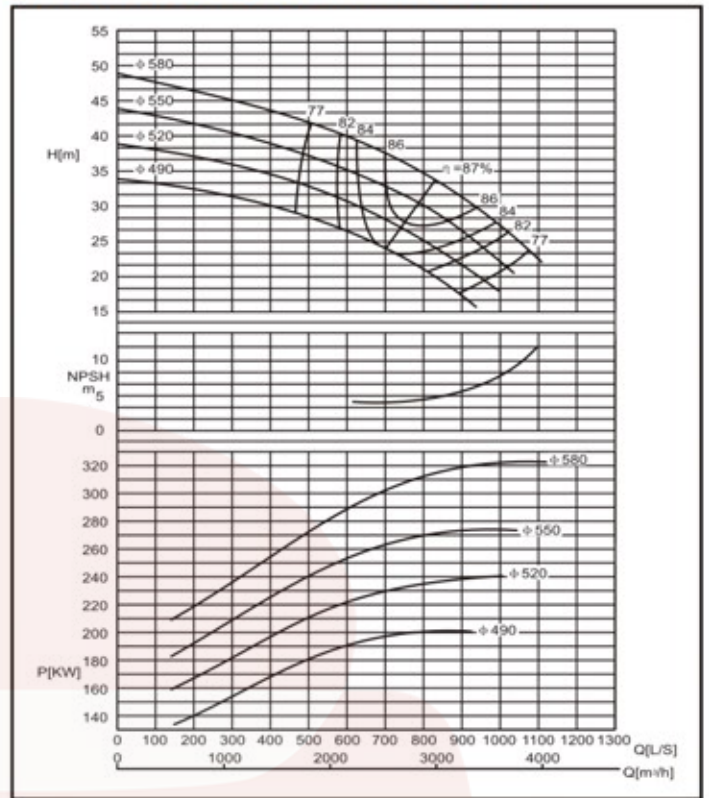
连接尺寸 connection size

泵型号 type	电机 Motor		12	13	14	b1	b2	b3	15	16	17	b4	b5	h5	h6	q	地脚螺栓 anchor		电机最大重量 motor W.T
	型号 Type	功率 (kW)															泵 pump	电机 motor	
400-620	Y500-4(6kV)	1400-1000	455	555	220	720	970	120	1685	1250	1730	900	1010	500	1040	2550	M42×800	M36×600	4600
	Y450-4(6kV)	630-900							1525	1120	1620	800	910	450	935	2080			3850
	Y400-4(6kV)	500-560							1505	1000	1510	710	810	400	835	1940			2620
500-510	Y355L1-6	280	250	400	120	820	1120	120	1454	630	808	610	730	355	860	1545	M36×600	M24×500	1940
	Y355M-6	220-250							1454	560	808	610	730	355	860	1545			1800
	Y315L-6	160-200							1416	508	720	508	640	315	865	1545			1190
	Y315M-6	132							1416	457	660	508	640	315	865	1340			1100

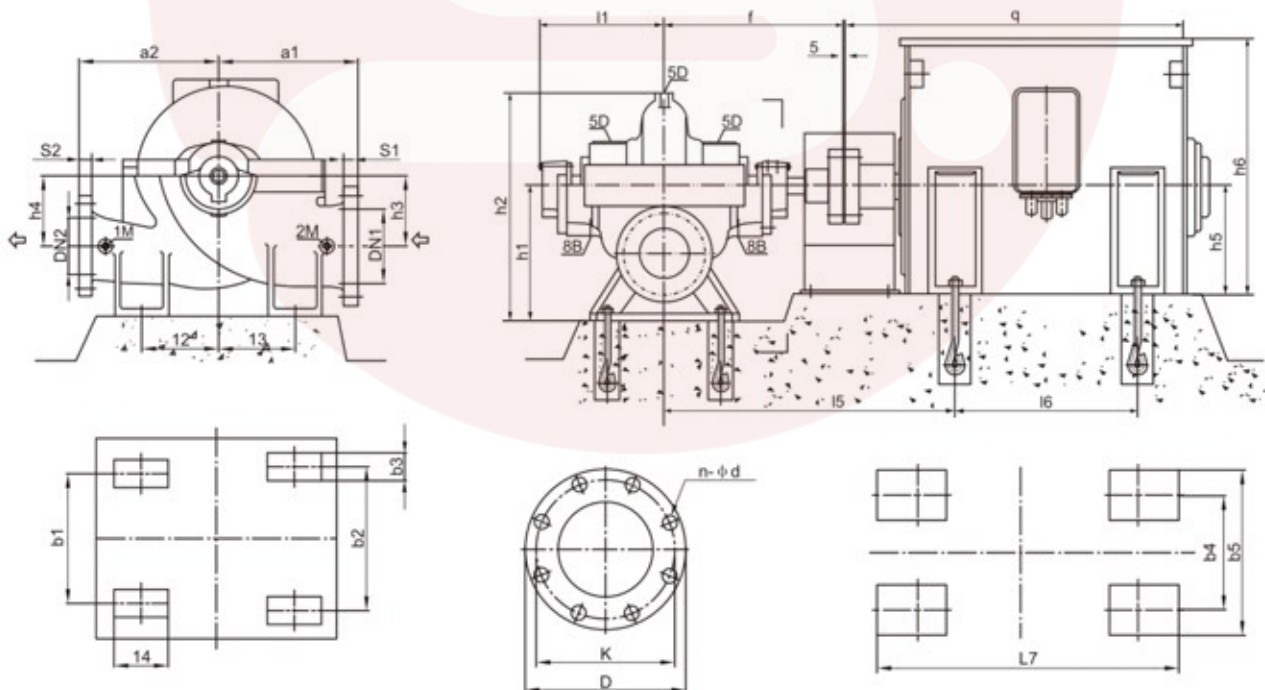
SBS500-640 E特性曲线 n=960r/min



SBS500-640 F特性曲线 n=960r/min



SBS卧式泵安装尺寸图 Installing dimensions of SBS pumps



泵基础

法兰钻孔示意图

电机基础

连接尺寸 connection dimensions:

1M、2M 压力表 Rp1/2  
5D 排气孔 Rp1/2

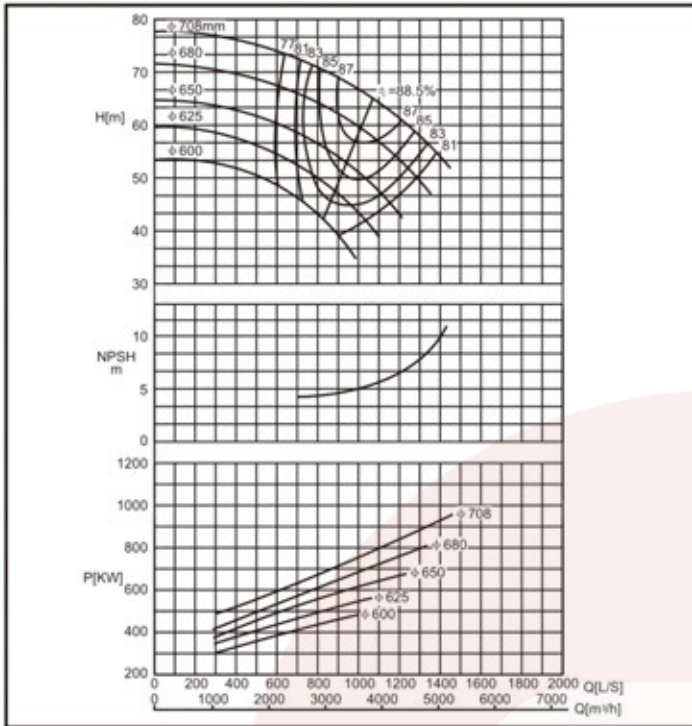
1M、2M pressure gauge Rp1/2  
5D air vent Rp1/2

6B 排液孔 Rp3/4  
8B 漏液排出孔 Rp3/4

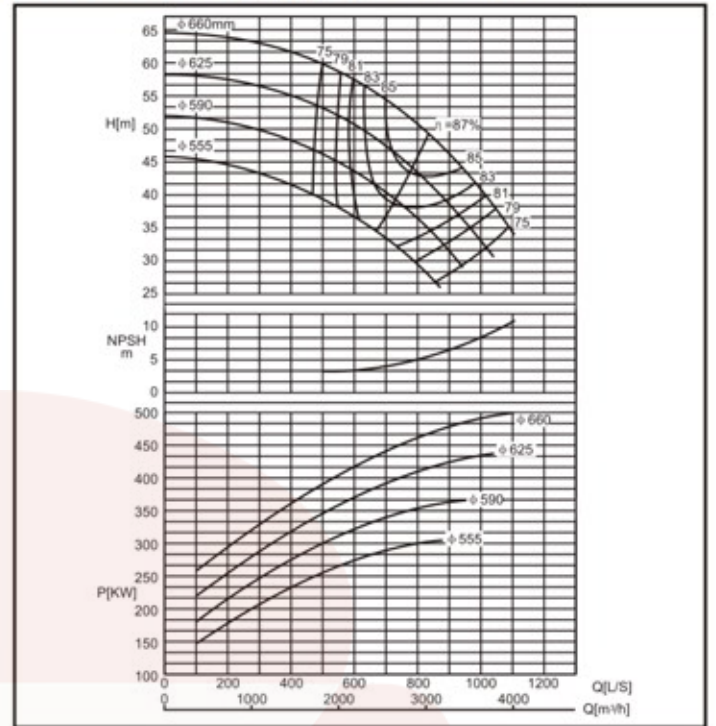
6B drain plug Rp3/4  
8B drain plug Rp3/4



SBS500-700 E特性曲线 n=960r/min



SBS500-700 F特性曲线 n=960r/min



参数表 Standard performance

泵型号 Type	流量 Capacity Q		扬程 Head m	转速 Speed r/min	轴功率 Shaft power kW	效率 eff η %	有效汽 蚀余量 NPSHa m	电机功率 Motor power kW	叶轮参 考直径 D(mm)																																																																									
	m³/h	l/s																																																																																
SBS 500-640E	1875	521	52.5	960	372	72	6.0	500	640																																																																									
	3528	980	41.5		4500	1250				30	1800	500	50	3340	928	38.7	4210	1169	28.5	1710	475	46.5	3170	881	36	4030	1119	26.5	1620	450	42.5	3020	839	33.2	3830	1064	25	1530	425	37.5	2800	778	29.8	3600	1000	22	1800	500	42	2990	831	34	3585	1079	23	1700	472	38	2835	788	30.2	3685	1024	21	1640	456	33.8	2730	758	27.8	3510	975	18.5	1545	429	20.6	2575	715	24	3280	911	18
	4500	1250	30		1800	500				50	3340	928	38.7	4210	1169	28.5	1710	475	46.5	3170	881	36	4030	1119	26.5	1620	450	42.5	3020	839	33.2	3830	1064	25	1530	425	37.5	2800	778	29.8	3600	1000	22	1800	500	42	2990	831	34	3585	1079	23	1700	472	38	2835	788	30.2	3685	1024	21	1640	456	33.8	2730	758	27.8	3510	975	18.5	1545	429	20.6	2575	715	24	3280	911	18			
	1800	500	50		3340	928				38.7	4210	1169	28.5	1710	475	46.5	3170	881	36	4030	1119	26.5	1620	450	42.5	3020	839	33.2	3830	1064	25	1530	425	37.5	2800	778	29.8	3600	1000	22	1800	500	42	2990	831	34	3585	1079	23	1700	472	38	2835	788	30.2	3685	1024	21	1640	456	33.8	2730	758	27.8	3510	975	18.5	1545	429	20.6	2575	715	24	3280	911	18						
	3340	928	38.7		4210	1169				28.5	1710	475	46.5	3170	881	36	4030	1119	26.5	1620	450	42.5	3020	839	33.2	3830	1064	25	1530	425	37.5	2800	778	29.8	3600	1000	22	1800	500	42	2990	831	34	3585	1079	23	1700	472	38	2835	788	30.2	3685	1024	21	1640	456	33.8	2730	758	27.8	3510	975	18.5	1545	429	20.6	2575	715	24	3280	911	18									
	4210	1169	28.5		1710	475				46.5	3170	881	36	4030	1119	26.5	1620	450	42.5	3020	839	33.2	3830	1064	25	1530	425	37.5	2800	778	29.8	3600	1000	22	1800	500	42	2990	831	34	3585	1079	23	1700	472	38	2835	788	30.2	3685	1024	21	1640	456	33.8	2730	758	27.8	3510	975	18.5	1545	429	20.6	2575	715	24	3280	911	18												
	1710	475	46.5		3170	881				36	4030	1119	26.5	1620	450	42.5	3020	839	33.2	3830	1064	25	1530	425	37.5	2800	778	29.8	3600	1000	22	1800	500	42	2990	831	34	3585	1079	23	1700	472	38	2835	788	30.2	3685	1024	21	1640	456	33.8	2730	758	27.8	3510	975	18.5	1545	429	20.6	2575	715	24	3280	911	18															
	3170	881	36		4030	1119				26.5	1620	450	42.5	3020	839	33.2	3830	1064	25	1530	425	37.5	2800	778	29.8	3600	1000	22	1800	500	42	2990	831	34	3585	1079	23	1700	472	38	2835	788	30.2	3685	1024	21	1640	456	33.8	2730	758	27.8	3510	975	18.5	1545	429	20.6	2575	715	24	3280	911	18																		
	4030	1119	26.5		1620	450				42.5	3020	839	33.2	3830	1064	25	1530	425	37.5	2800	778	29.8	3600	1000	22	1800	500	42	2990	831	34	3585	1079	23	1700	472	38	2835	788	30.2	3685	1024	21	1640	456	33.8	2730	758	27.8	3510	975	18.5	1545	429	20.6	2575	715	24	3280	911	18																					
	1620	450	42.5		3020	839				33.2	3830	1064	25	1530	425	37.5	2800	778	29.8	3600	1000	22	1800	500	42	2990	831	34	3585	1079	23	1700	472	38	2835	788	30.2	3685	1024	21	1640	456	33.8	2730	758	27.8	3510	975	18.5	1545	429	20.6	2575	715	24	3280	911	18																								
3020	839	33.2	3830	1064	25	1530	425	37.5	2800	778	29.8	3600	1000	22	1800	500	42	2990	831	34	3585	1079	23	1700	472	38	2835	788	30.2	3685	1024	21	1640	456	33.8	2730	758	27.8	3510	975	18.5	1545	429	20.6	2575	715	24	3280	911	18																																
3830	1064	25	1530	425	37.5	2800	778	29.8	3600	1000	22	1800	500	42	2990	831	34	3585	1079	23	1700	472	38	2835	788	30.2	3685	1024	21	1640	456	33.8	2730	758	27.8	3510	975	18.5	1545	429	20.6	2575	715	24	3280	911	18																																			
1530	425	37.5	2800	778	29.8	3600	1000	22	1800	500	42	2990	831	34	3585	1079	23	1700	472	38	2835	788	30.2	3685	1024	21	1640	456	33.8	2730	758	27.8	3510	975	18.5	1545	429	20.6	2575	715	24	3280	911	18																																						
2800	778	29.8	3600	1000	22	1800	500	42	2990	831	34	3585	1079	23	1700	472	38	2835	788	30.2	3685	1024	21	1640	456	33.8	2730	758	27.8	3510	975	18.5	1545	429	20.6	2575	715	24	3280	911	18																																									
3600	1000	22	1800	500	42	2990	831	34	3585	1079	23	1700	472	38	2835	788	30.2	3685	1024	21	1640	456	33.8	2730	758	27.8	3510	975	18.5	1545	429	20.6	2575	715	24	3280	911	18																																												
1800	500	42	2990	831	34	3585	1079	23	1700	472	38	2835	788	30.2	3685	1024	21	1640	456	33.8	2730	758	27.8	3510	975	18.5	1545	429	20.6	2575	715	24	3280	911	18																																															
2990	831	34	3585	1079	23	1700	472	38	2835	788	30.2	3685	1024	21	1640	456	33.8	2730	758	27.8	3510	975	18.5	1545	429	20.6	2575	715	24	3280	911	18																																																		
3585	1079	23	1700	472	38	2835	788	30.2	3685	1024	21	1640	456	33.8	2730	758	27.8	3510	975	18.5	1545	429	20.6	2575	715	24	3280	911	18																																																					
1700	472	38	2835	788	30.2	3685	1024	21	1640	456	33.8	2730	758	27.8	3510	975	18.5	1545	429	20.6	2575	715	24	3280	911	18																																																								
2835	788	30.2	3685	1024	21	1640	456	33.8	2730	758	27.8	3510	975	18.5	1545	429	20.6	2575	715	24	3280	911	18																																																											
3685	1024	21	1640	456	33.8	2730	758	27.8	3510	975	18.5	1545	429	20.6	2575	715	24	3280	911	18																																																														
1640	456	33.8	2730	758	27.8	3510	975	18.5	1545	429	20.6	2575	715	24	3280	911	18																																																																	
2730	758	27.8	3510	975	18.5	1545	429	20.6	2575	715	24	3280	911	18																																																																				
3510	975	18.5	1545	429	20.6	2575	715	24	3280	911	18																																																																							
1545	429	20.6	2575	715	24	3280	911	18																																																																										
2575	715	24	3280	911	18																																																																													
3280	911	18																																																																																

参数表 Standard performance

泵型号 Type	流量 Capacity Q		扬程 Head m	转速 Speed r/min	轴功率 Shaft power kW	效率 eff η %	有效汽 蚀余量 NPSHa m	电机功率 Motor power kW	叶轮参 考直径 D(mm)																																																																									
	m³/h	l/s																																																																																
SBS 500-700E	2270	631	73	960	586	77	6.0	900	708																																																																									
	3850	1069	65		5040	1400				54	2200	611	67.5	3670	1019	59.5	4770	1325	48	2050	569	61	3420	950	53	4350	1208	42.5	1920	533	55.7	3250	889	47.8	3960	1100	39	1810	503	50	3020	839	42	3560	989	35	1800	500	60	3005	835	49	3365	1085	35	1680	467	53.5	2800	778	44.2	3640	1011	32.5	1600	444	47.5	2840	733	39.4	3360	933	29.2	1450	403	41.4	2410	669	34	3132	870	26.5
	5040	1400	54		2200	611				67.5	3670	1019	59.5	4770	1325	48	2050	569	61	3420	950	53	4350	1208	42.5	1920	533	55.7	3250	889	47.8	3960	1100	39	1810	503	50	3020	839	42	3560	989	35	1800	500	60	3005	835	49	3365	1085	35	1680	467	53.5	2800	778	44.2	3640	1011	32.5	1600	444	47.5	2840	733	39.4	3360	933	29.2	1450	403	41.4	2410	669	34	3132	870	26.5			
	2200	611	67.5		3670	1019				59.5	4770	1325	48	2050	569	61	3420	950	53	4350	1208	42.5	1920	533	55.7	3250	889	47.8	3960	1100	39	1810	503	50	3020	839	42	3560	989	35	1800	500	60	3005	835	49	3365	1085	35	1680	467	53.5	2800	778	44.2	3640	1011	32.5	1600	444	47.5	2840	733	39.4	3360	933	29.2	1450	403	41.4	2410	669	34	3132	870	26.5						
	3670	1019	59.5		4770	1325				48	2050	569	61	3420	950	53	4350	1208	42.5	1920	533	55.7	3250	889	47.8	3960	1100	39	1810	503	50	3020	839	42	3560	989	35	1800	500	60	3005	835	49	3365	1085	35	1680	467	53.5	2800	778	44.2	3640	1011	32.5	1600	444	47.5	2840	733	39.4	3360	933	29.2	1450	403	41.4	2410	669	34	3132	870	26.5									
	4770	1325	48		2050	569				61	3420	950	53	4350	1208	42.5	1920	533	55.7	3250	889	47.8	3960	1100	39	1810	503	50	3020	839	42	3560	989	35	1800	500	60	3005	835	49	3365	1085	35	1680	467	53.5	2800	778	44.2	3640	1011	32.5	1600	444	47.5	2840	733	39.4	3360	933	29.2	1450	403	41.4	2410	669	34	3132	870	26.5												
	2050	569	61		3420	950				53	4350	1208	42.5	1920	533	55.7	3250	889	47.8	3960	1100	39	1810	503	50	3020	839	42	3560	989	35	1800	500	60	3005	835	49	3365	1085	35	1680	467	53.5	2800	778	44.2	3640	1011	32.5	1600	444	47.5	2840	733	39.4	3360	933	29.2	1450	403	41.4	2410	669	34	3132	870	26.5															
	3420	950	53		4350	1208				42.5	1920	533	55.7	3250	889	47.8	3960	1100	39	1810	503	50	3020	839	42	3560	989	35	1800	500	60	3005	835	49	3365	1085	35	1680	467	53.5	2800	778	44.2	3640	1011	32.5	1600	444	47.5	2840	733	39.4	3360	933	29.2	1450	403	41.4	2410	669	34	3132	870	26.5																		
	4350	1208	42.5		1920	533				55.7	3250	889	47.8	3960	1100	39	1810	503	50	3020	839	42	3560	989	35	1800	500	60	3005	835	49	3365	1085	35	1680	467	53.5	2800	778	44.2	3640	1011	32.5	1600	444	47.5	2840	733	39.4	3360	933	29.2	1450	403	41.4	2410	669	34	3132	870	26.5																					
	1920	533	55.7		3250	889				47.8	3960	1100	39	1810	503	50	3020	839	42	3560	989	35	1800	500	60	3005	835	49	3365	1085	35	1680	467	53.5	2800	778	44.2	3640	1011	32.5	1600	444	47.5	2840	733	39.4	3360	933	29.2	1450	403	41.4	2410	669	34	3132	870	26.5																								
3250	889	47.8	3960	1100	39	1810	503	50	3020	839	42	3560	989	35	1800	500	60	3005	835	49	3365	1085	35	1680	467	53.5	2800	778	44.2	3640	1011	32.5	1600	444	47.5	2840	733	39.4	3360	933	29.2	1450	403	41.4	2410	669	34	3132	870	26.5																																
3960	1100	39	1810	503	50	3020	839	42	3560	989	35	1800	500	60	3005	835	49	3365	1085	35	1680	467	53.5	2800	778	44.2	3640	1011	32.5	1600	444	47.5	2840	733	39.4	3360	933	29.2	1450	403	41.4	2410	669	34	3132	870	26.5																																			
1810	503	50	3020	839	42	3560	989	35	1800	500	60	3005	835	49	3365	1085	35	1680	467	53.5	2800	778	44.2	3640	1011	32.5	1600	444	47.5	2840	733	39.4	3360	933	29.2	1450	403	41.4	2410	669	34	3132	870	26.5																																						
3020	839	42	3560	989	35	1800	500	60	3005	835	49	3365	1085	35	1680	467	53.5	2800	778	44.2	3640	1011	32.5	1600	444	47.5	2840	733	39.4	3360	933	29.2	1450	403	41.4	2410	669	34	3132	870	26.5																																									
3560	989	35	1800	500	60	3005	835	49	3365	1085	35	1680	467	53.5	2800	778	44.2	3640	1011	32.5	1600	444	47.5	2840	733	39.4	3360	933	29.2	1450	403	41.4	2410	669	34	3132	870	26.5																																												
1800	500	60	3005	835	49	3365	1085	35	1680	467	53.5	2800	778	44.2	3640	1011	32.5	1600	444	47.5	2840	733	39.4	3360	933	29.2	1450	403	41.4	2410	669	34	3132	870	26.5																																															
3005	835	49	3365	1085	35	1680	467	53.5	2800	778	44.2	3640	1011	32.5	1600	444	47.5	2840	733	39.4	3360	933	29.2	1450	403	41.4	2410	669	34	3132	870	26.5																																																		
3365	1085	35	1680	467	53.5	2800	778	44.2	3640	1011	32.5	1600	444	47.5	2840	733	39.4	3360	933	29.2	1450	403	41.4	2410	669	34	3132	870	26.5																																																					
1680	467	53.5	2800	778	44.2	3640	1011	32.5	1600	444	47.5	2840	733	39.4	3360	933	29.2	1450	403	41.4	2410	669	34	3132	870	26.5																																																								
2800	778	44.2	3640	1011	32.5	1600	444	47.5	2840	733	39.4	3360	933	29.2	1450	403	41.4	2410	669	34	3132	870	26.5																																																											
3640	1011	32.5	1600	444	47.5	2840	733	39.4	3360	933	29.2	1450	403	41.4	2410	669	34	3132	870	26.5																																																														
1600	444	47.5	2840	733	39.4	3360	933	29.2	1450	403	41.4	2410	669	34	3132	870	26.5																																																																	
2840	733	39.4	3360	933	29.2	1450	403	41.4	2410	669	34	3132	870	26.5																																																																				
3360	933	29.2	1450	403	41.4	2410	669	34	3132	870	26.5																																																																							
1450	403	41.4	2410	669	34	3132	870	26.5																																																																										
2410	669	34	3132	870	26.5																																																																													
3132	870	26.5																																																																																

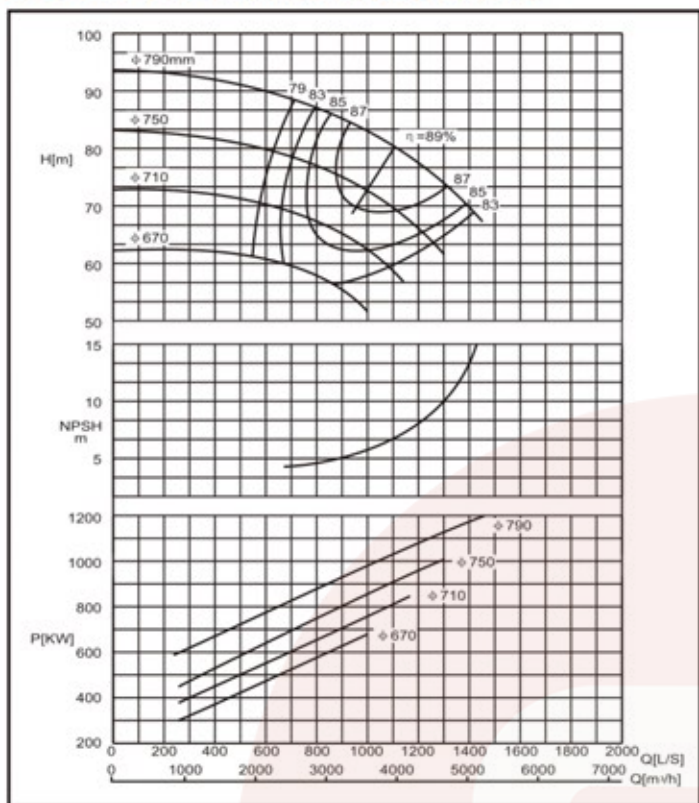
主要外型尺寸 pump outline size

泵型号 type	法兰尺寸 flange size										泵尺寸 pump size								泵重量 W.T kg
	进口法兰 inlet flange					出口法兰 outlet flange													
	DN1	S1	K	D	n-φd	DN2	S2	K	D	n-φd	a1	a2	h1	h2	h3	h4	l1	f	
500-640	600	54	770	845	20-φ41	500	48	650	710	20-φ34	850	800	920	1520	495	495	900	1115	2301
500-700	600	54	770	845	20-φ41	500	48	650	710	20-φ34	1050	850	1000	1620	550	620	855	1085	2967

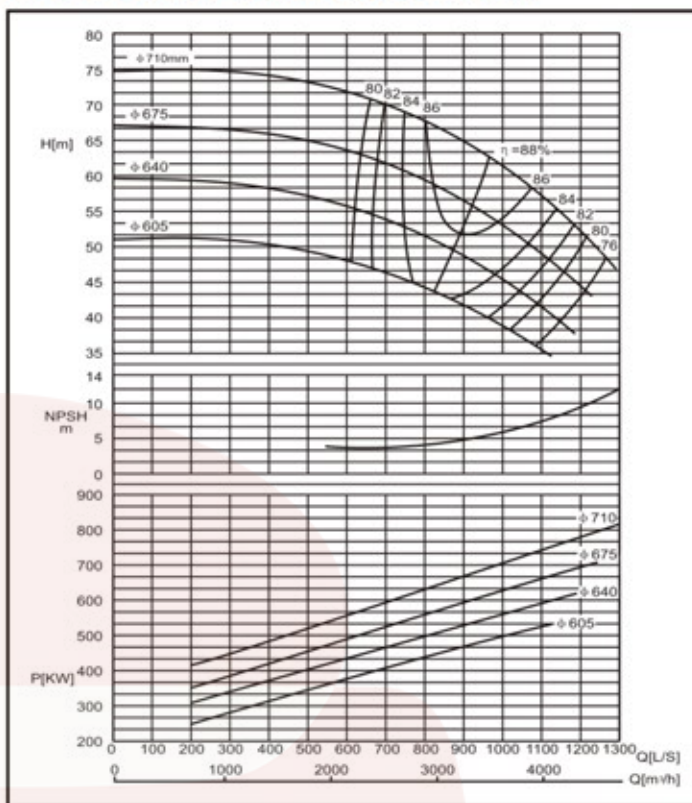
连接尺寸 connection size

泵型号 type	电机 Motor		12	13	14	b1	b2	b3	15	16	17	b4	b5	h5	h6	q	地脚螺栓 anchor		电机最大重量 motor W.T
	型号 Type	功率(kW)															泵 pump	电机 motor	
500-640	Y400-6(6kV)	355-500	450	450	220	820	1120	120	1665	1000	1510	710	810	400	835	1940	M36×600	M30×600	2620
	Y355-6(6kV)	250-315															M36×600	M24×500	2160
	Y355L1-6	280															M36×600	M30×600	1940
500-700	Y500-6(6kV)	1000	500	600	220	820	1220	120	1815	1250	1730	900	1010	500	1040	2550	M36×600	M36×600	4070
	Y450-6(6kV)	630-900															M36×600	M30×600	3850
	Y400-6(6kV)	355-560															M36×600	M30×600	2620

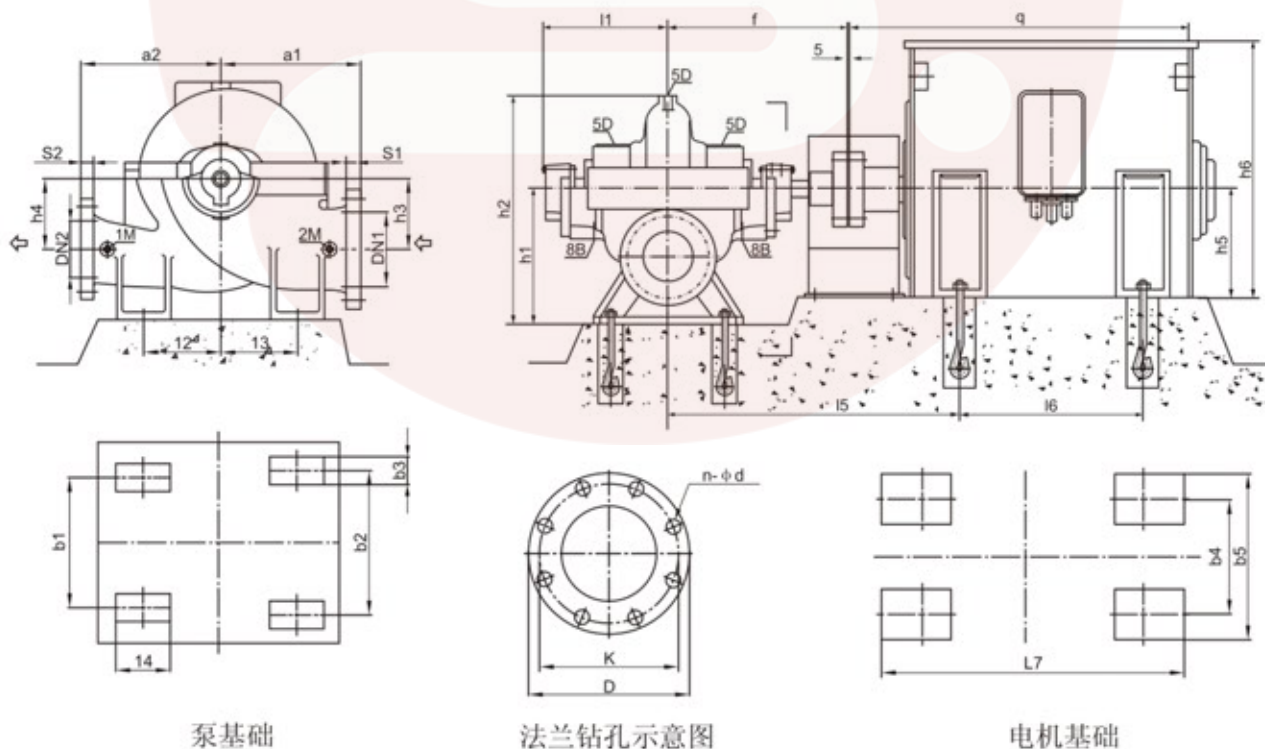
SBS500-790 E特性曲线 n=960r/min



SBS500-790 F特性曲线 n=960r/min



SBS卧式泵安装尺寸图 Installing dimensions of SBS pumps



泵基础

法兰钻孔示意图

电机基础

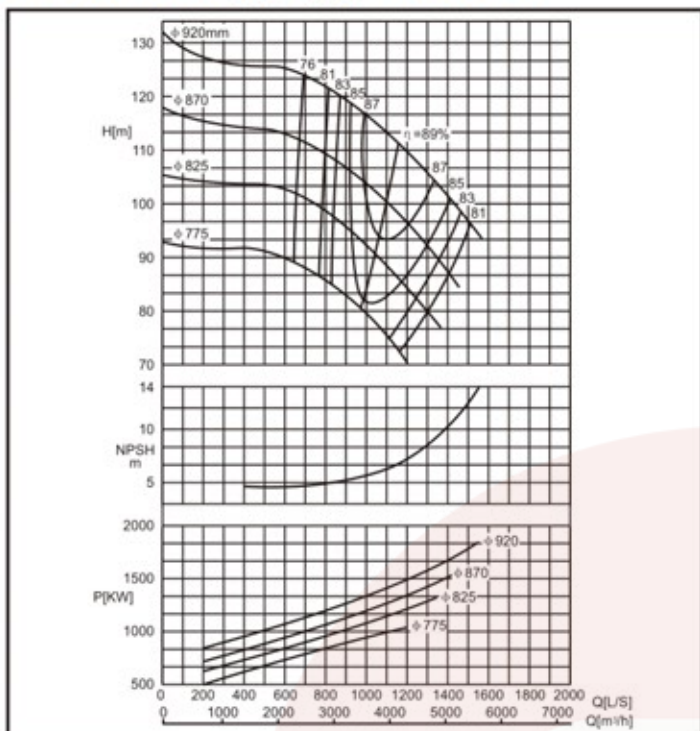
连接尺寸 connection dimensions:

1M、2M 压力表 Rp1/2      1M、2M pressure gauge Rp1/2  
 5D 排气孔 Rp1/2          5D air vent Rp1/2

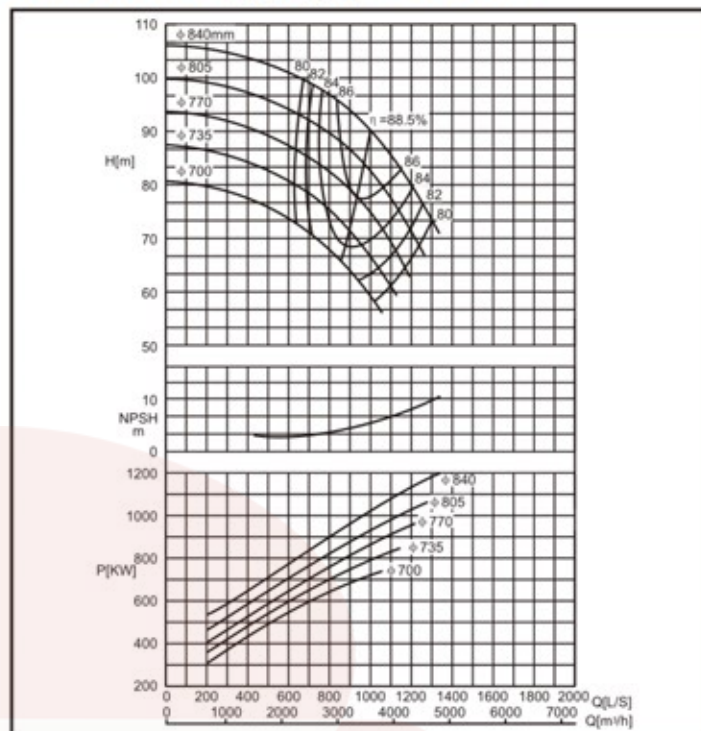
6B 排液孔 Rp3/4          6B drain plug Rp3/4  
 8B 漏液排出孔 Rp3/4      8B drain plug Rp3/4



SBS500-890 E特性曲线 n=960r/min



SBS500-890 F特性曲线 n=960r/min



参数表 Standard performance

泵型号 Type	流量 Capacity Q		扬程 Head m	转速 Speed r/min	轴功率 Shaft power kW	效率 eff η %	有效汽 蚀余量 NPSHa m	电机功率 Motor power kW	叶轮参 考直径 D(mm)	
	m³/h	l/s								
SBS 500-790E	2580	717	88.5	960	787	79	7.1	1120	790	
	3960	1100	80		969	89		1250		
	5150	1431	68		1163	82				
	2160	600	80		603	78		900		750
	3600	1000	72.8		811	88		1120		
	4680	1300	62		975	81				
SBS 500-790F	1930	536	71	960	484	77	5.0	800	710	
	3220	894	65.5		660	87				
	4100	1139	57		795	80				
	1710	475	62		380	76		630		670
	2850	792	58		523	86		710		
	3600	1000	51.8		643	79				
SBS 500-890E	2375	660	70.8	960	572	80	5.8	800	710	
	3492	970	62.5		675	88				
	4550	1264	48		793	75				
	2000	556	64		447	78		710		675
	3330	925	56		584	87				
	4350	1208	44		695	75				
SBS 500-890F	1900	528	57	960	383	77	4.5	560	640	
	3150	875	50		499	86		630		
	4150	1153	39.3		600	74				
	1780	494	49		312	76		500		605
	2970	825	43.6		415	85		560		
	3900	1083	36		516	74				

参数表 Standard performance

泵型号 Type	流量 Capacity Q		扬程 Head m	转速 Speed r/min	轴功率 Shaft power kW	效率 eff η %	有效汽 蚀余量 NPSHa m	电机功率 Motor power kW	叶轮参 考直径 D(mm)	
	m³/h	l/s								
SBS 500-890E	2520	700	124	960	1119	76	7.0	1600	920	
	4230	1175	152		1449	89		1800		
	5500	1528	95.5		1787	80				
	2400	667	112		963	76		1400		870
	4000	1111	100		1237	88		1600		
	5200	1444	86		1541	79				
	2270	631	102.5		845	75		1250		825
	3790	1053	90.5		1073	87		1400		
	4930	1369	77		1325	78				
	2150	597	90		712	74		1120		775
	3550	986	80.5		905	86		1250		
	4320	1200	70.5		1077	77				
SBS 500-890F	2160	600	101	960	761	78	5.9	1120	840	
	3600	1000	90		997	88.5		1250		
	4680	1300	73		1163	80				
	2100	583	94.7		703	77		1000		805
	3480	967	83.5		899	88		1120		
	4520	1256	68		1059	79				
	2010	558	88		634	76		900		770
	3350	931	77.8		806	88		1120		
	4290	1192	63		943	78				
	1920	533	82		571	75		800		735
	3200	889	71.5		716	87		900		
	4020	1117	60		853	77				
SBS 500-890F	1840	511	75	960	508	74	4.0	800	700	
	3060	850	66		639	86		800		
	3780	1050	56		758	76				

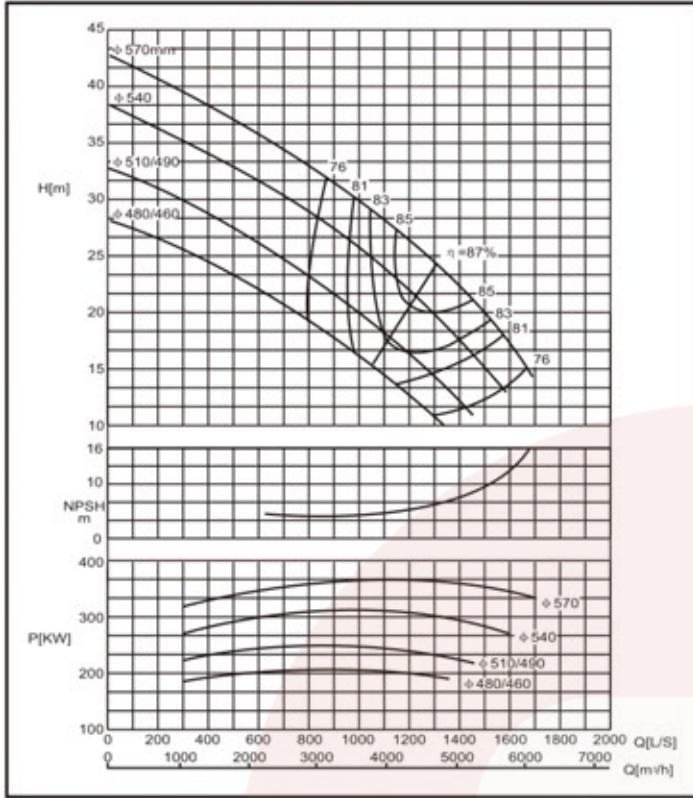
主要外型尺寸 pump outline size

泵型号 type	法兰尺寸 flange size										泵尺寸 pump size								泵重量 W.T kg
	进口法兰 inlet flange					出口法兰 outlet flange													
	DN1	S1	K	D	n-φd	DN2	S2	K	D	n-φd	a1	a2	h1	h2	h3	h4	l1	f	
500-790	600	54	770	845	20-φ41	500	46	650	710	20-φ34	1000	900	1050	1710	600	600	900	1175	3483
500-890	600	54	770	845	20-φ41	500	46	650	710	20-φ34	1050	950	1100	1810	650	650	920	1210	4659

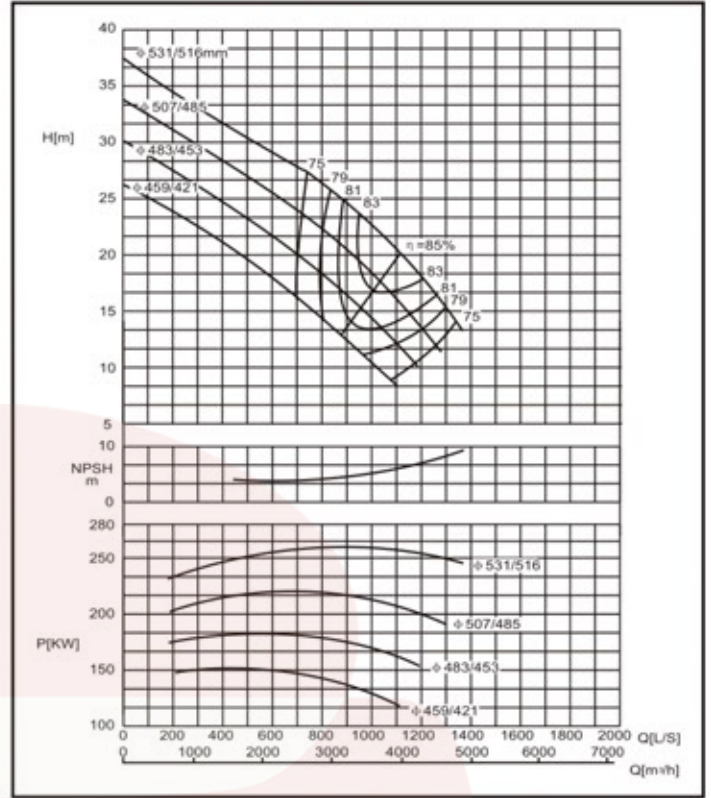
连接尺寸 connection size

泵型号 type	电机 Motor		12	13	14	b1	b2	b3	15	16	17	b4	b5	h5	h6	q	地脚螺栓 anchor		电机最大重量 motor W.T
	型号 Type	功率(kW)															泵 pump	电机 motor	
500-790	Y400-6(6kV)	355-500	550	650	220	845	1220	120	1725	1000	1510	710	810	400	835	1940	M36×600	M30×600	2520
	Y355-6(6kV)	250-315							1705	900	1420	630	770	355	780	1820		M24×500	2160
	Y355L1-6	280							1604	630	808	610	730	355	860	1545			1940
500-890	Y560-6(6kV)	1600-1800	600	700	220	870	1120	120	1965	1400	1880	1000	1130	560	1160	2715	M42×800	M36×600	5420
	Y500-6(6kV)	1000-1400							1940	1250	1730	900	1010	500	1040	2550			4600
	Y450-6(6kV)	800-900							1780	1120	1620	800	910	450	935	2080		M30×600	3850

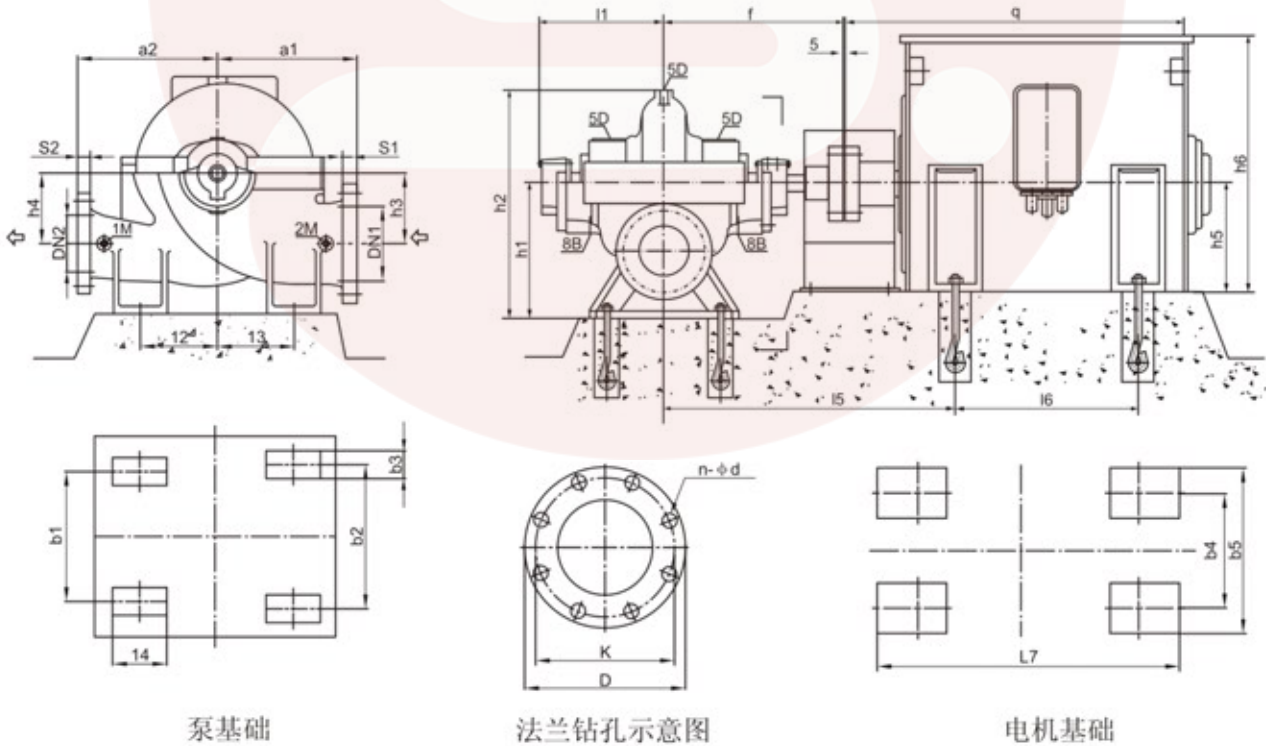
### SBS600-540 E特性曲线 n=960r/min



### SBS600-540 F特性曲线 n=960r/min



### SBS卧式泵安装尺寸图 Installing dimensions of SBS pumps



泵基础

法兰钻孔示意图

电机基础

连接尺寸 connection dimensions:

1M、2M 压力表 Rp1/2  
5D 排气孔 Rp1/2

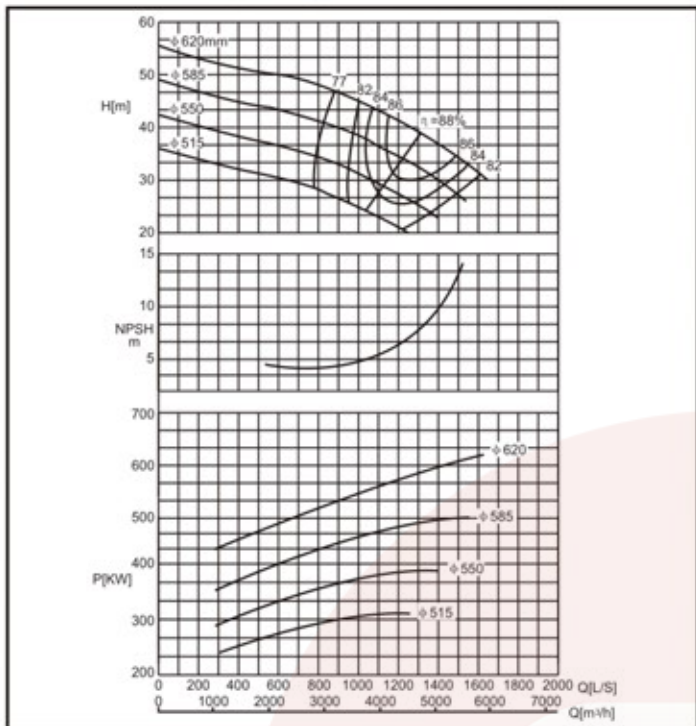
1M、2M pressure gauge Rp1/2  
5D air vent Rp1/2

6B 排液孔 Rp3/4  
8B 漏液排出孔 Rp3/4

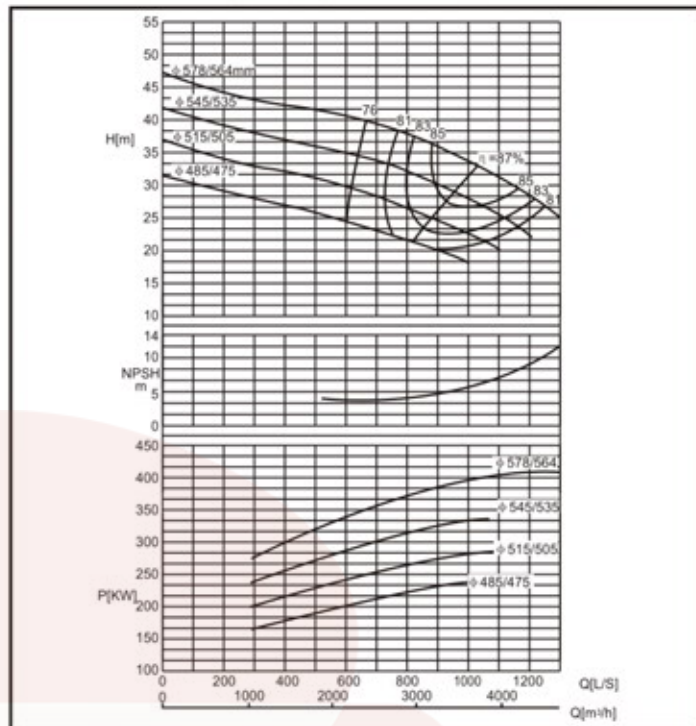
6B drain plug Rp3/4  
8B drain plug Rp3/4



SBS600-620 E特性曲线 n=960r/min



SBS600-620 F特性曲线 n=960r/min



参数表 Standard performance

泵型号 Type	流量 Capacity Q		扬程 Head m	转速 Speed r/min	轴功率 Shaft power kW	效率 eff η %	有效汽 蚀余量 NPSHa m	电机功率 Motor power kW	叶轮参 考直径 D(mm)
	m³/h	l/s							
SBS 600-540E	2810	781	33.3	960	344	74	5.9	400	570
	4680	1300	24.2						
	6080	1689	14.3						
	2660	739	33.7						
	4430	1231	21.5						
	5690	1581	13						
SBS 600-540F	2430	675	25	960	230	72	4.5	250	510
	4040	1122	17.8						
	5220	1450	11						
	2270	631	21.5						
	3780	1050	15.5						
	4850	1347	10						
SBS 600-620E	2370	658	28.3	960	250	73	6.0	315	531
	3960	1100	20.3						
	4900	1361	13.3						
	2250	625	28.8						
	3750	1042	18						
	4600	1278	11.5						
SBS 600-620F	2070	575	22.3	960	177	71	5.0	200	483
	3450	958	15.5						
	4250	1181	10						
	1890	525	19.3						
	3150	875	13						
	4000	1111	8.5						

参数表 Standard performance

泵型号 Type	流量 Capacity Q		扬程 Head m	转速 Speed r/min	轴功率 Shaft power kW	效率 eff η %	有效汽 蚀余量 NPSHa m	电机功率 Motor power kW	叶轮参 考直径 D(mm)
	m³/h	l/s							
SBS 600-620E	2830	786	48	960	493	75	7.8	630	620
	4720	1311	39						
	5940	1650	30						
	2650	736	42						
	4420	1228	34						
	5580	1550	26						
SBS 600-620F	2450	681	36	960	324	74	5.0	355	545
	4080	1133	29						
	5040	1400	23.2						
	2250	625	30						
	3750	1042	24.8						
	4500	1250	20						
SBS 600-540E	2215	615	40.5	960	326	75	6.0	450	578
	3690	1025	33						
	4680	1300	25						
	2060	572	35						
	3440	956	29						
	4400	1222	22						
SBS 600-540F	1900	528	30	960	213	73	4.7	280	485
	3170	881	25						
	3980	1106	20						
	1770	492	26						
	2950	819	21.5						
	3600	1000	16						

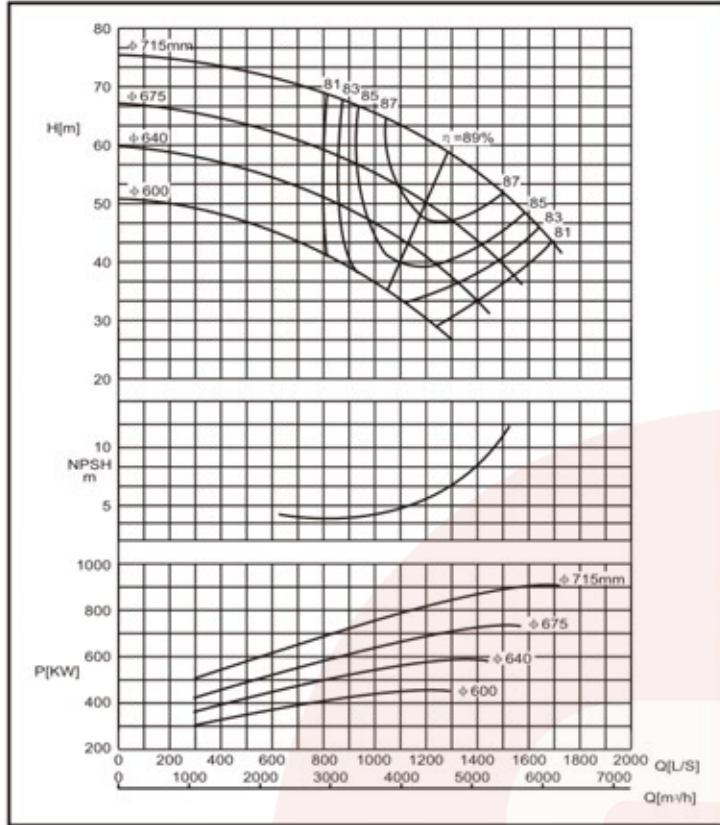
主要外型尺寸 pump outline size

泵型号 type	法兰尺寸 flange size										泵尺寸 pump size								泵重量 W.T kg
	进口法兰 inlet flange					出口法兰 outlet flange													
	DN1	S1	K	D	n-φd	DN2	S2	K	D	n-φd	a1	a2	h1	h2	h3	h4	l1	f	
600-540	700	54	840	915	24-φ41	600	54	770	845	20-φ41	1100	900	1100	1850	610	610	885	1080	2725
600-620	700	54	840	915	24-φ41	600	54	770	845	20-φ41	1000	1000	1050	1700	545	545	840	1060	2961

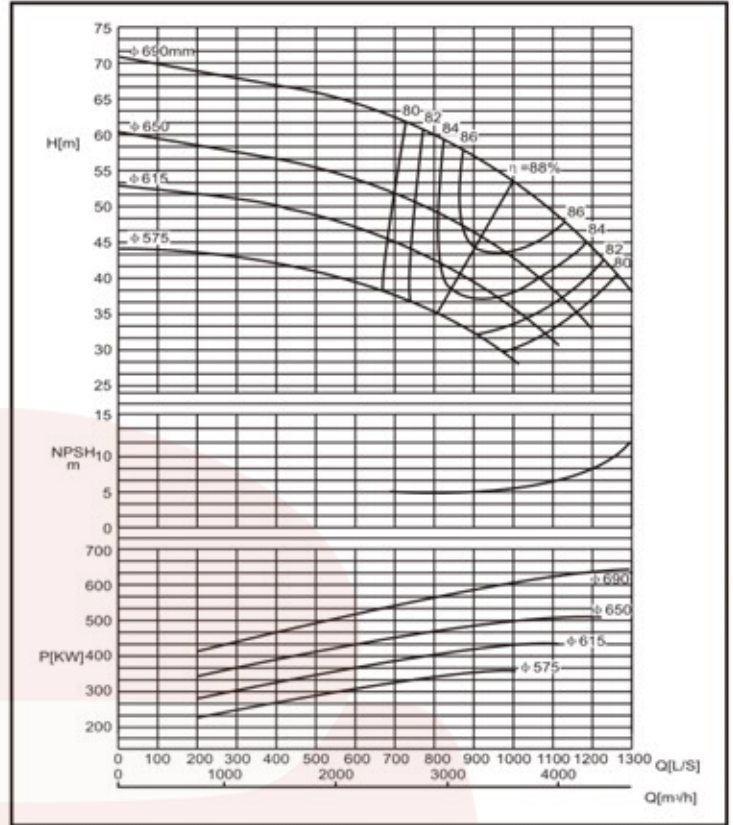
连接尺寸 connection size

泵型号 type	电机 Motor		12	13	14	b1	b2	b3	15	16	17	b4	b5	h5	h6	q	地脚螺栓 anchor		
	型号 Type	功率(kW)															泵 pump	电机 motor	电机最大重量 motor W.T
600-540	Y400-6(6kV)	355-400	550	650	300	800	1100	150	1630	1000	1510	710	810	400	835	1940	M36×600	M30×600	2620
	Y355-6(6kV)	315							1610	900	1420	630	770	355	780	1820			2160
	Y355L1-6	280							1509	630	808	610	730	355	860	1545			1940
	Y355M-6	220-250							1509	560	808	610	730	355	860	1545			1800
	Y315L-6	160-200							1471	508	720	508	640	315	865	1340			1190
600-620	Y450-6(6kV)	630	650	650	300	800	1100	150	1630	1120	1620	800	910	450	935	2080	M36×600	M30×600	3850
	Y400-6(6kV)	355-560							1610	1000	1510	710	810	400	835	1940			2620
	Y355-6(6kV)	250-315							1590	900	1420	630	770	355	780	1820			2160

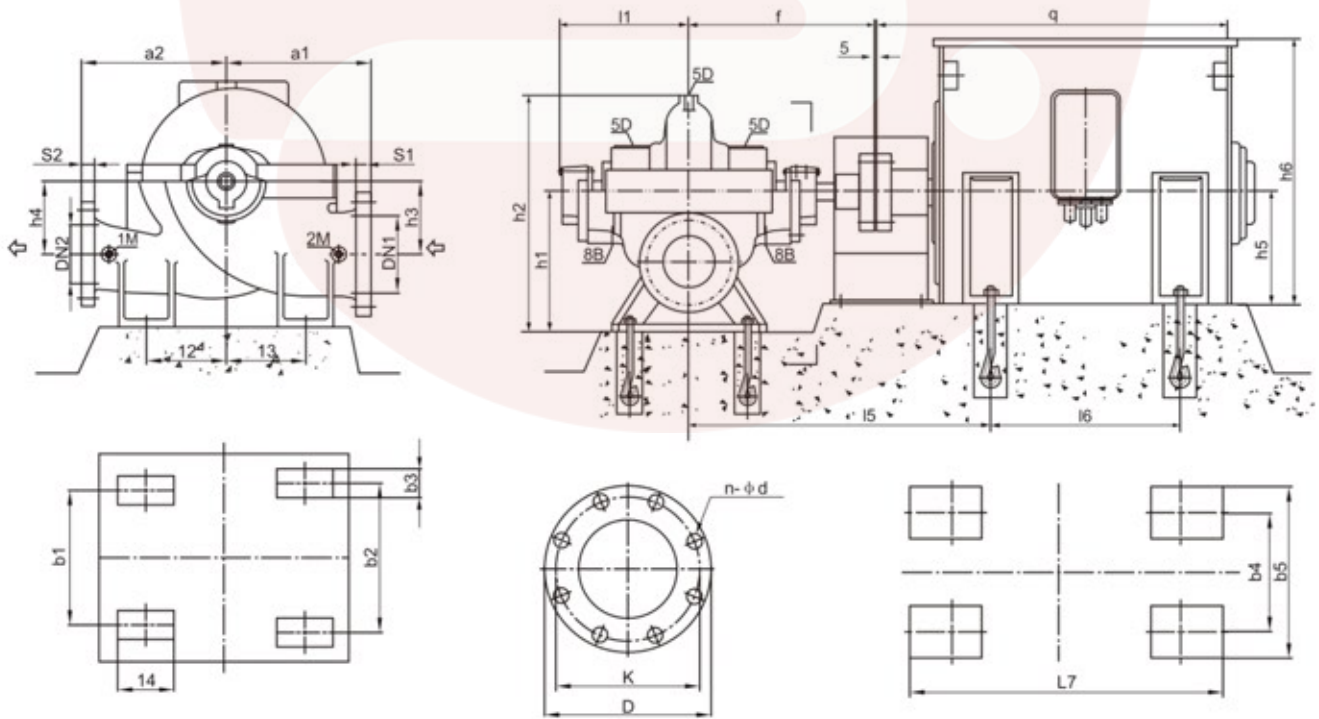
### SBS600-710 E特性曲线 n=960r/min



### SBS600-710 F特性曲线 n=960r/min



### SBS卧式泵安装尺寸图 Installing dimensions of SBS pumps



泵基础

法兰钻孔示意图

电机基础

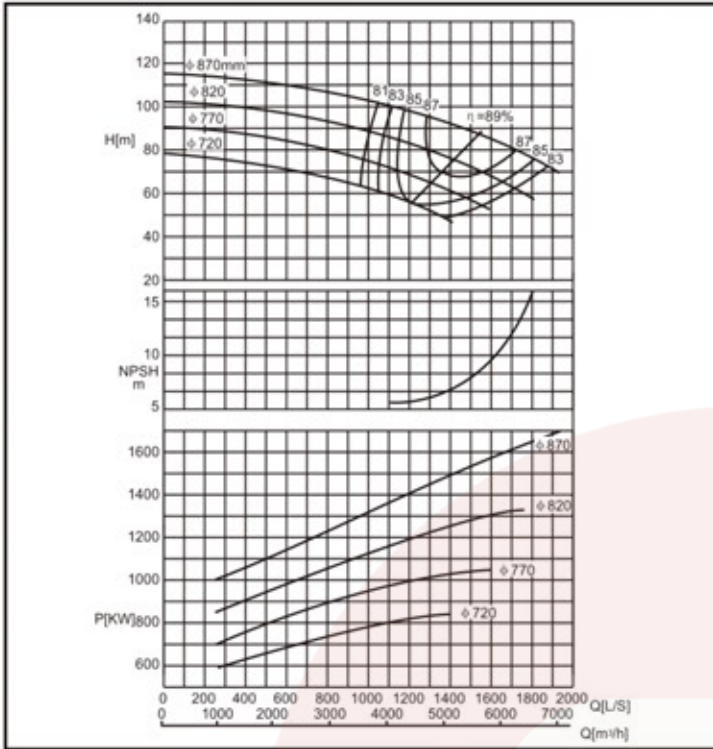
连接尺寸 connection dimensions:

1M、2M 压力表 Rp1/2    1M、2M pressure gauge Rp1/2  
5D 排气孔 Rp1/2        5D air vent Rp1/2

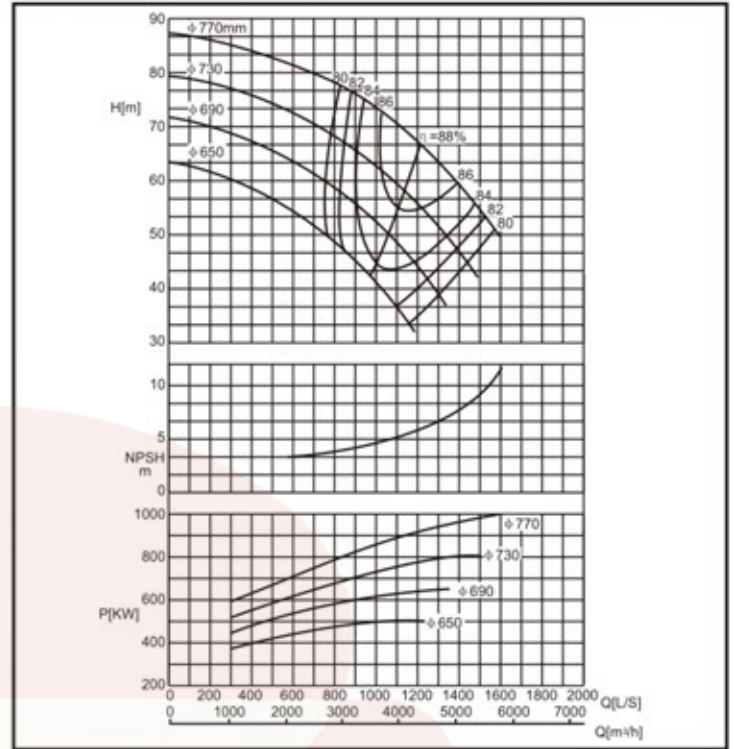
6B 排液孔 Rp3/4        6B drain plug Rp3/4  
8B 漏液排出孔 Rp3/4    8B drain plug Rp3/4



SBS600-830 E特性曲线 n=960r/min



SBS600-830 F特性曲线 n=960r/min



参数表 Standard performance

泵型号 Type	流量 Capacity Q		扬程 Head m	转速 Speed r/min	轴功率 Shaft power kW	效率 eff η %	有效汽 蚀余量 NPSHa m	电机功率 Motor power kW	叶轮参 考直径 D(mm)
	m³/h	l/s							
SBS 600-710E	2780	772	69	960	653	80	6.5	900	715
	4630	1286	58.5						
	6050	1680	43.5						
	2600	722	60.5						
	4320	1200	50						
	5620	1561	36						
SBS 600-710F	2430	675	53	960	449	79	5.5	800	675
	4050	1125	43						
	5220	1450	31						
	2270	630	45						
	3780	1050	35						
	4680	1300	27						
SBS 600-830E	2160	600	64.5	960	486	78	5.2	710	690
	3600	1000	54						
	4680	1300	38						
	1990	553	54.6						
	3310	919	45.8						
	4300	1194	33						
SBS 600-830F	1880	522	48.2	960	325	76	5.0	450	615
	3130	869	40.5						
	4060	1128	30.5						
	1740	483	41						
	2900	806	35						
	3670	1019	28						

参数表 Standard performance

泵型号 Type	流量 Capacity Q		扬程 Head m	转速 Speed r/min	轴功率 Shaft power kW	效率 eff η %	有效汽 蚀余量 NPSHa m	电机功率 Motor power kW	叶轮参 考直径 D(mm)
	m³/h	l/s							
SBS 600-830E	3300	917	105	960	1194	79	8.5	1600	1800
	5500	1528	87.5						
	6950	1931	70						
	3060	850	93						
	5110	1419	76						
	6480	1800	57						
SBS 600-830F	2800	778	82	960	812	77	6.2	1120	1400
	4680	1300	62						
	5800	1611	57						
	2610	725	70						
	4350	1208	56						
	5040	1400	47						
SBS 600-710E	2600	722	79	960	717	78	6.0	1000	770
	4320	1200	66.2						
	5620	1561	51						
	2460	683	71.4						
	4100	1139	58						
	5320	1478	42						
SBS 600-710F	2300	639	62.8	960	613	78	5.4	800	730
	3820	1061	50						
	4950	1375	48						
	504	78	78						
	598	87	87						
	779	83	83						
SBS 600-830E	2080	578	55	960	404	77	4.5	560	650
	3460	961	42.5						
	4250	1181	32						
	465	86	86						
	469	79	79						

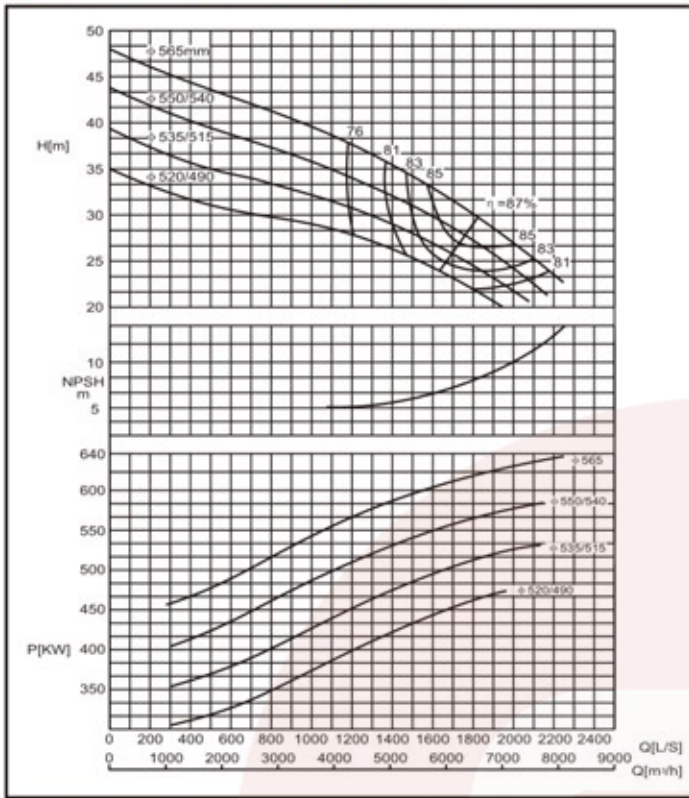
主要外型尺寸 pump outline size

泵型号 type	法兰尺寸 flange size										泵尺寸 pump size							泵重量 W.T kg	
	进口法兰 inlet flange					出口法兰 outlet flange					a1	a2	h1	h2	h3	h4	l1		f
	DN1	S1	K	D	n-φd	DN2	S2	K	D	n-φd									
600-710	700	54	845	910	24-φ41	600	54	770	845	20-φ41	1000	1100	1050	1700	545	545	930	1160	3427
600-830	700	54	845	910	24-φ41	600	54	770	845	20-φ41	1100	1200	1100	1860	580	580	1000	1275	4700

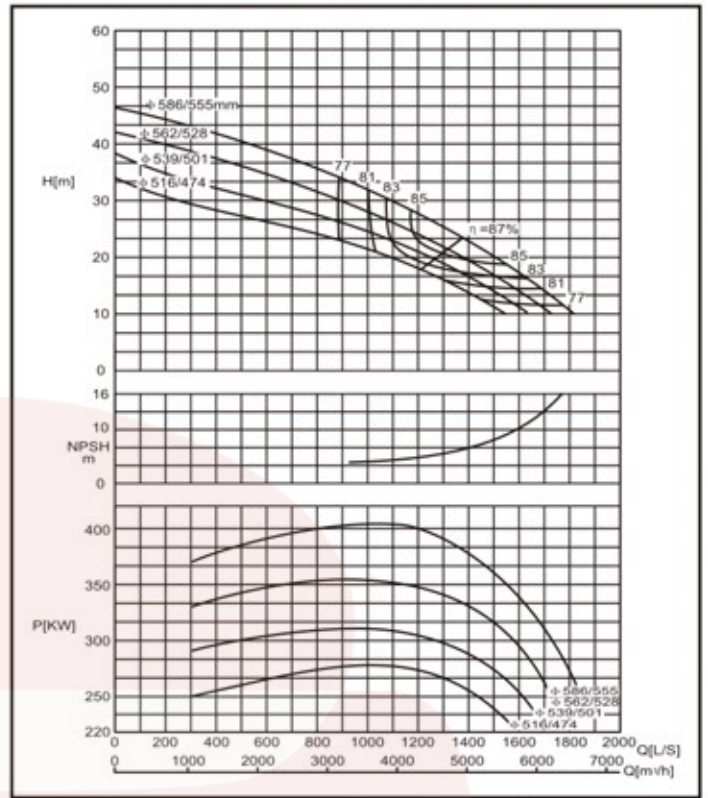
连接尺寸 connection size

泵型号 type	电机 Motor		12	13	14	b1	b2	b3	15	16	17	b4	b5	h5	h6	q	地脚螺栓 anchor		电机最大重量 motor W.T
	型号 Type	功率(kW)															泵 pump	电机 motor	
600-710	Y450-6(6kV)	630-900	650	650	300	900	1200	150	1730	1120	1620	800	910	450	925	2080	M42×800	M30×600	3850
	Y400-6(6kV)	400-560							1710	1000	1510	710	810	400	835	1940			2620
600-830	Y560-6(6kV)	1600-1800	750	650	300	900	1200	150	2030	1400	1880	1000	1130	560	1160	2715	M42×800	M36×600	5680
	Y500-6(6kV)	1000-1400							2005	1250	1730	900	1010	500	1040	2550			4600
	Y450-6(6kV)	630-900							1845	1120	1620	800	910	450	935	2080			3850
	Y400-6(6kV)	560							1825	1000	1510	710	810	400	835	1940			2620

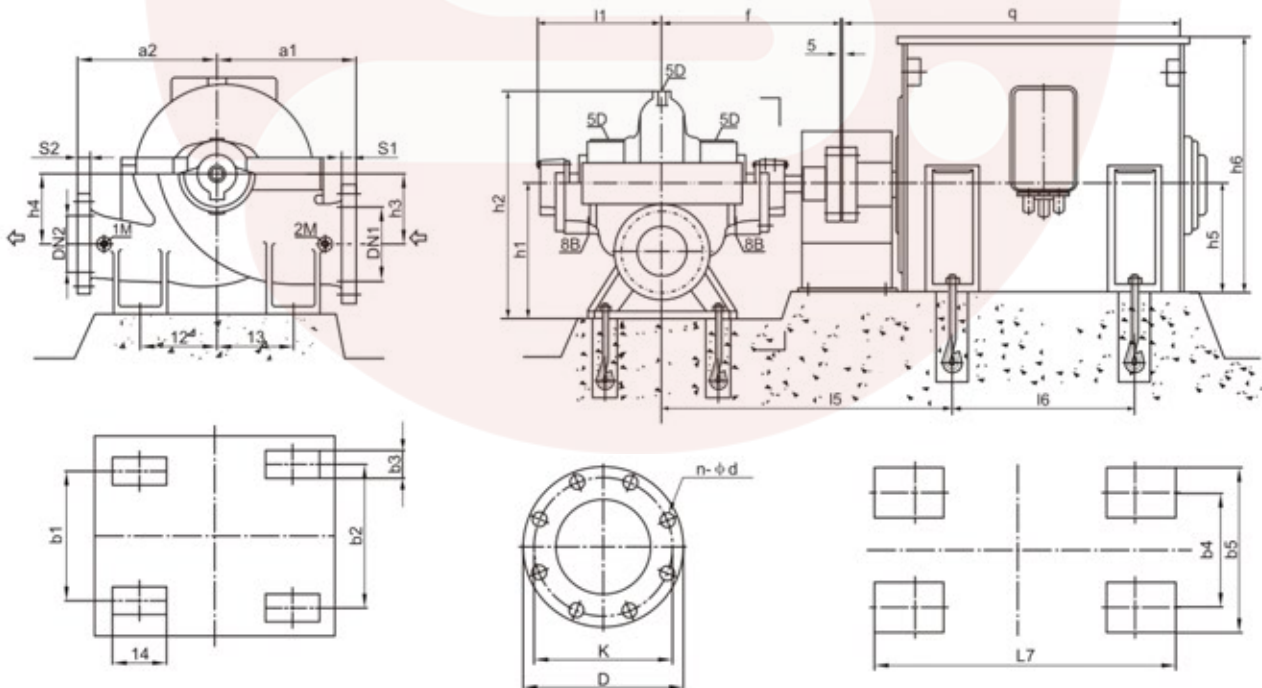
### SBS700-590 E特性曲线 n=960r/min



### SBS700-590 F特性曲线 n=960r/min



### SBS卧式泵安装尺寸图 Installing dimensions of SBS pumps



泵基础

法兰钻孔示意图

电机基础

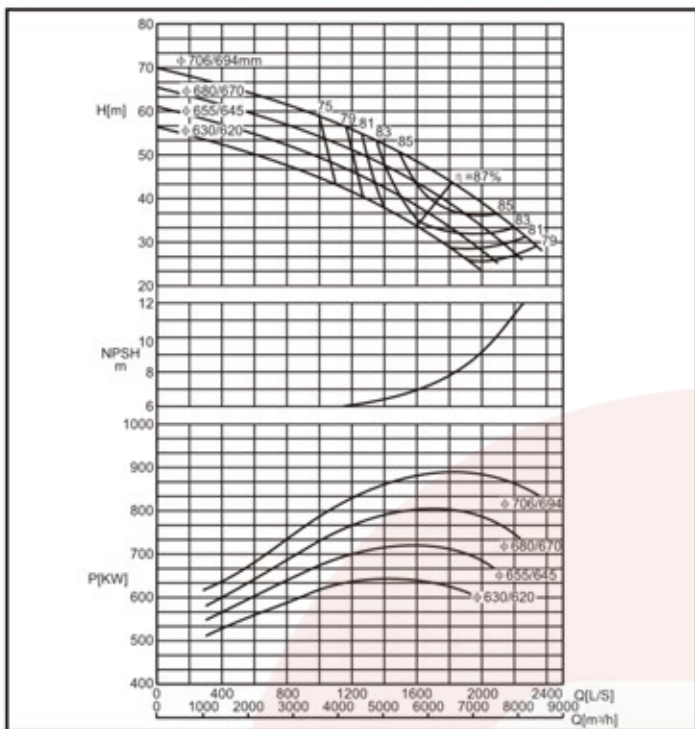
连接尺寸 connection dimensions:

1M、2M 压力表 Rp1/2    1M、2M pressure gauge Rp1/2  
 5D 排气孔 Rp1/2        5D air vent Rp1/2

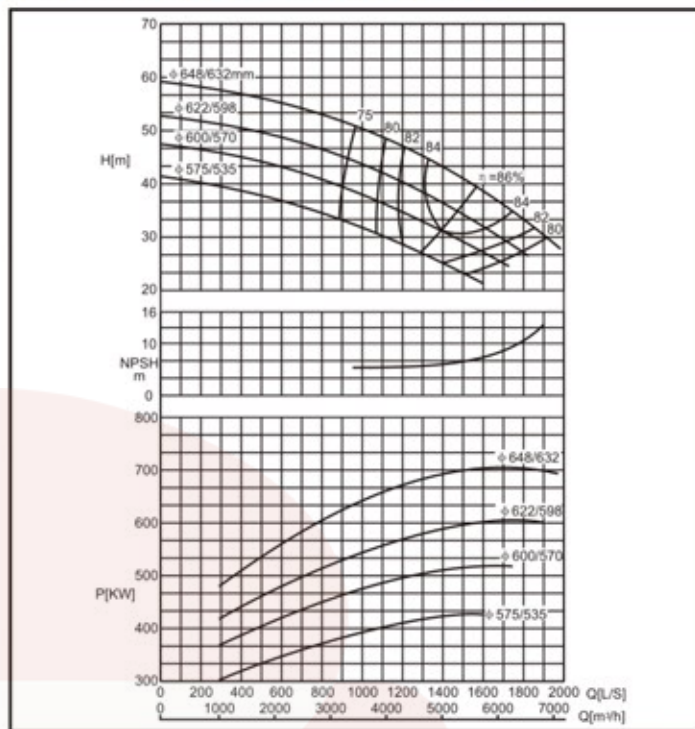
6B 排液孔 Rp3/4        6B drain plug Rp3/4  
 8B 漏液排出孔 Rp3/4    8B drain plug Rp3/4



SBS700-710 E特性曲线 n=960r/min



SBS700-710 F特性曲线 n=960r/min



参数表 Standard performance

泵型号 Type	流量 Capacity Q		扬程 Head m	转速 Speed r/min	轴功率 Shaft power kW	效率 eff η %	有效汽 蚀余量 NPSHa m	电机功率 Motor power kW	叶轮参 考直径 D(mm)
	m³/h	l/s							
SBS 700-590E	3900	1083	38.8	960	549	75	8.0	710	565
	6480	1800	30						
	8060	2239	22.7						
	3780	1050	35.5						
	6300	1750	28						
	7800	2167	21.2						
SBS 700-590F	3630	1008	32	960	427	74	7.0	560	535
	6050	1681	26						
	7450	2069	20.9						
	3500	972	29						
	5870	1631	24						
	7000	1944	20						
SBS 700-590E	2980	828	35.2	960	376	76	6.0	400	586
	4970	1381	23.7						
	6500	1806	10.2						
	2850	792	36						
	4750	1319	21.6						
	6150	1708	10.5						
SBS 700-590F	2750	764	28	960	276	76	5.0	315	539
	4540	1261	20						
	5900	1639	10.5						
	2610	725	25						
	4350	1208	18						
	5550	1542	10						

参数表 Standard performance

泵型号 Type	流量 Capacity Q		扬程 Head m	转速 Speed r/min	轴功率 Shaft power kW	效率 eff η %	有效汽 蚀余量 NPSHa m	电机功率 Motor power kW	叶轮参 考直径 D(mm)
	m³/h	l/s							
SBS 700-710E	3650	1014	58.5	960	775	75	8.0	1000	706
	6500	1806	44						
	8460	2350	28						
	3750	1042	53.8						
	6270	1742	40.2						
	8060	2239	26						
SBS 700-710F	3570	992	49.5	960	650	74	7.0	900	680
	5950	1653	37						
	7560	2100	25.5						
	3450	958	45						
	5740	1594	34						
	7100	1972	23.8						
SBS 700-710E	3360	933	51.5	960	637	74	7.0	800	648
	5600	1556	39.5						
	7280	2022	28						
	3180	883	45.5						
	5300	1472	35						
	6550	1819	26.5						
SBS 700-710F	3020	839	41	960	455	74	6.0	560	600
	5040	1400	31.5						
	6200	1722	24.5						
	2780	772	35.8						
	4630	1286	27.5						
	5760	1600	21						

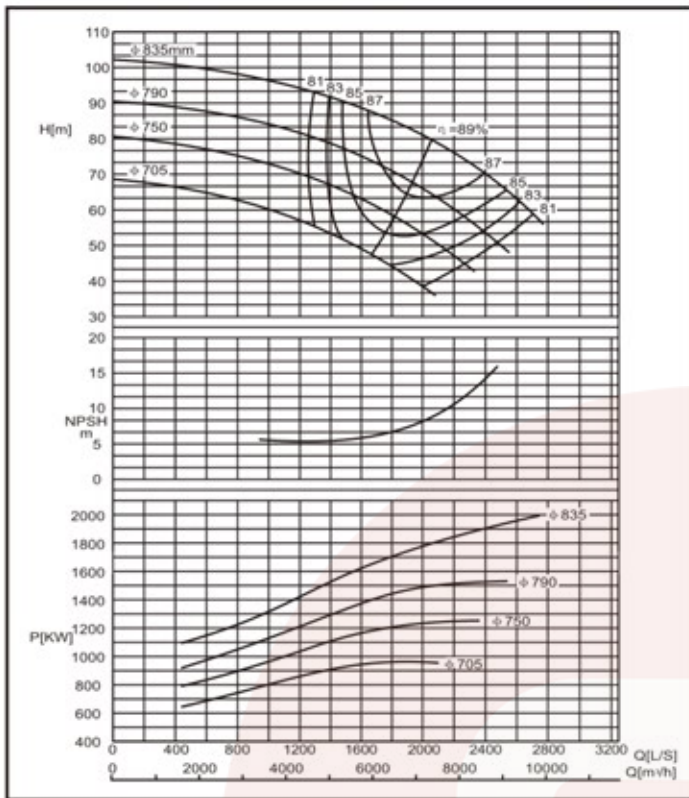
主要外型尺寸 pump outline size

泵型号 type	法兰尺寸 flange size										泵尺寸 pump size							泵重量 W.T kg	
	进口法兰 inlet flange					出口法兰 outlet flange					a1	a2	h1	h2	h3	h4	l1		f
	DN1	S1	K	D	n-φd	DN2	S2	K	D	n-φd									
700-590	800	54	950	1025	24-φ41	700	54	840	915	24-φ41	1300	800	1150	1870	600	600	1090	1300	4043
700-710	800	54	950	1025	24-φ41	700	54	840	915	24-φ41	1200	1150	1170	1920	620	620	1130	1360	5329

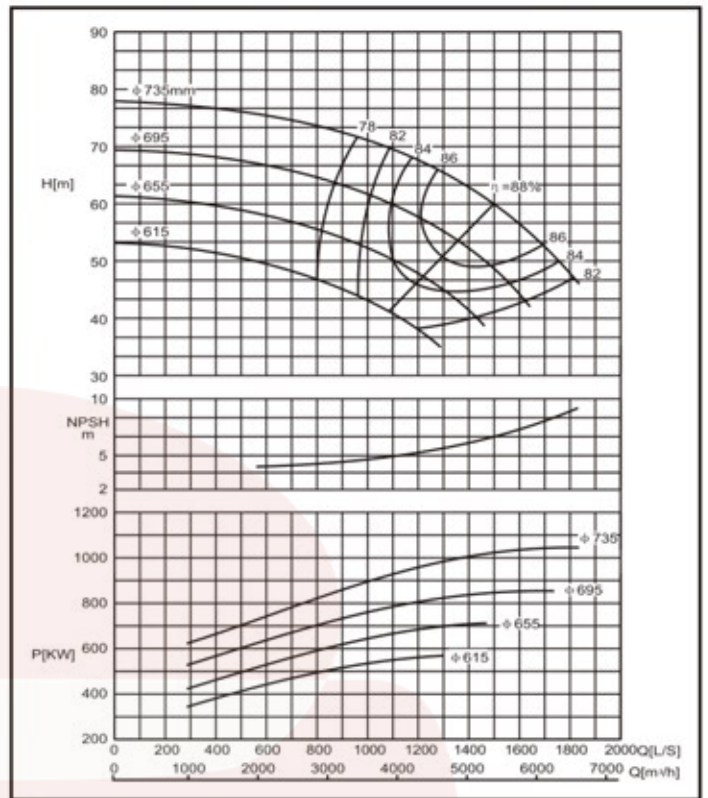
连接尺寸 connection size

泵型号 type	电机 Motor		12	13	14	b1	b2	b3	15	16	17	b4	b5	h5	h6	q	地脚螺栓 anchor		电机最大重量 motor W.T
	型号 Type	功率(kW)															泵 pump	电机 motor	
700-590	Y450-6(6kV)	630-710	425	725	350	790	1090	150	1870	1120	1620	800	910	450	935	2080	M36×600	M30×600	3850
	Y400-6(6kV)	355-560							1850	1000	1510	710	810	400	835	1940			2620
	Y355-6(6kV)	280-315							1830	900	1420	630	770	355	780	1820			2160
700-710	Y500-6(6kV)	1000	725	725	350	790	1090	150	2090	1250	1730	900	1010	500	1040	2550	M42×800	M36×600	4600
	Y450-6(6kV)	630-900							1930	1120	1620	800	910	450	935	2080			3850
	Y400-6(6kV)	500-560							1910	1000	1510	710	810	400	835	1940			2620

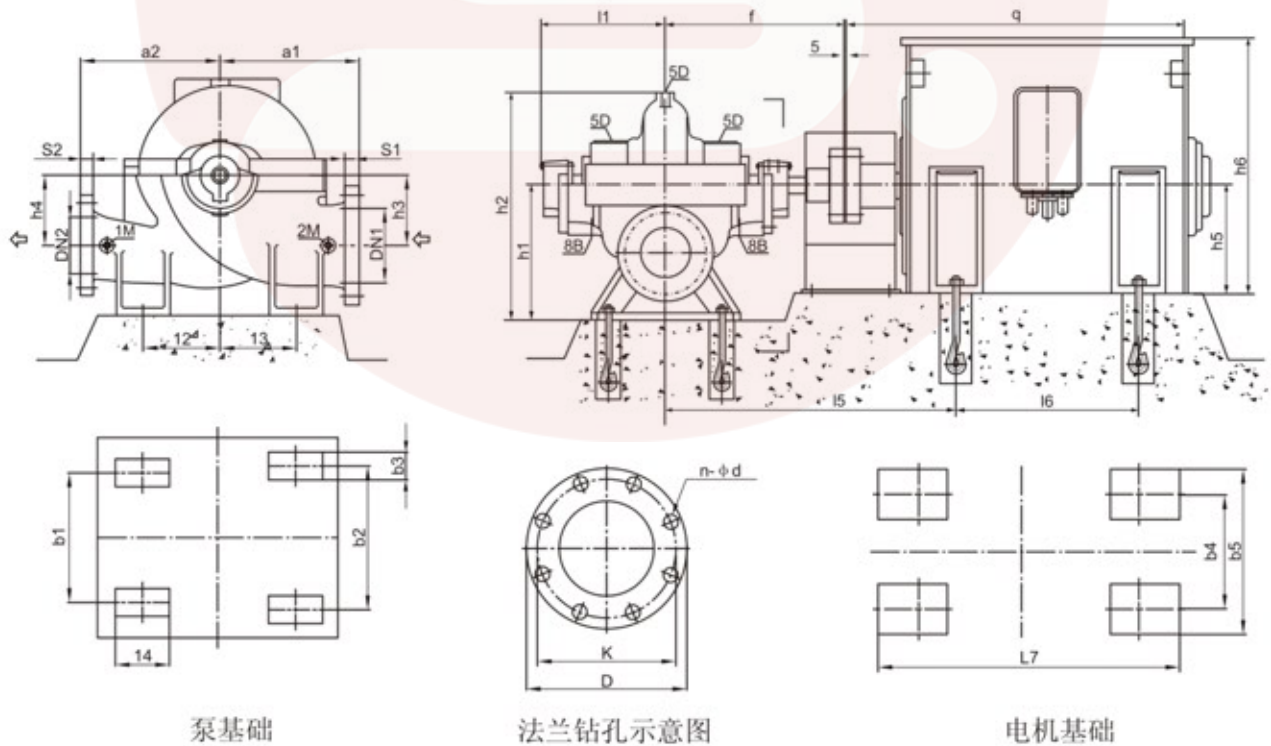
### SBS700-820E特性曲线 n=960r/min



### SBS700-820F特性曲线 n=960r/min



### SBS卧式泵安装尺寸图 Installing dimensions of SBS pumps



泵基础

法兰钻孔示意图

电机基础

连接尺寸 connection dimensions:

1M、2M 压力表 Rp1/2  
5D 排气孔 Rp1/2

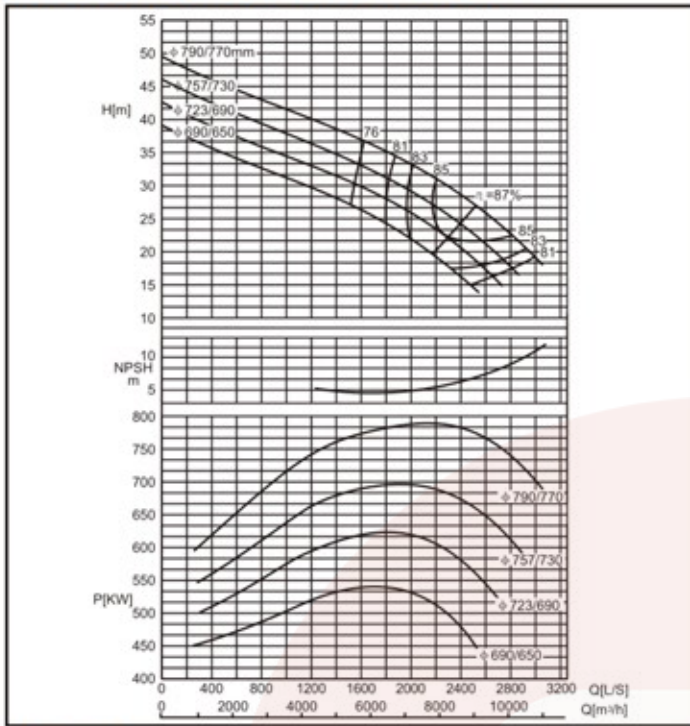
1M、2M pressure gauge Rp1/2  
5D air vent Rp1/2

6B 排液孔 Rp3/4  
8B 漏液排出孔 Rp3/4

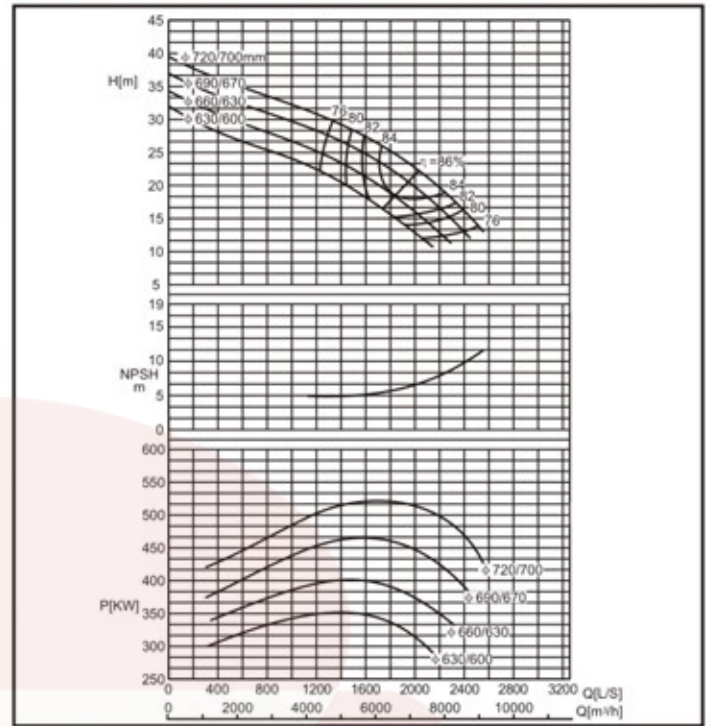
6B drain plug Rp3/4  
8B drain plug Rp3/4



SBS800-740 E特性曲线 n=725r/min



SBS800-740 F特性曲线 n=725r/min



参数表 Standard performance

泵型号 Type	流量 Capacity Q		扬程 Head m	转速 Speed r/min	轴功率 Shaft power kW	效率 eff η %	有效汽 蚀余量 NPSHa m	电机功率 Motor power kW	叶轮参 考直径 D(mm)
	m³/h	l/s							
SBS 700-820E	4430	1231	92	960	1387	80	8.8	2000	835
	7380	2050	80		1806	89			
	9600	2667	60		1912	82			
	4180	1161	82.6		1175	80			
	6960	1933	68		1464	88			
9050	2514	49	1400	81					
SBS 700-820F	3930	1092	71.5	960	968	79	7.0	1400	750
	6550	1819	58		1189	87			
	8430	2342	43		1233	80			
	3600	1000	60		754	78			
	6010	1669	48		913	86			
7500	2083	36	930	79					
SBS 700-820E	3240	900	72.8	960	834	77	6.8	1120	735
	5400	1500	60		1092	88			
	6600	1833	46		1020	81			
	2970	825	65		683	77			
	4950	1375	53.8		833	87			
5900	1639	42	843	80					
SBS 700-820F	2640	733	56.6	960	535	76	5.5	710	655
	4400	1222	47		655	86			
	5260	1461	39		698	80			
	2340	650	49		416	75			
	3900	1083	41.5		518	85			
4620	1283	35.5	565	79					

参数表 Standard performance

泵型号 Type	流量 Capacity Q		扬程 Head m	转速 Speed r/min	轴功率 Shaft power kW	效率 eff η %	有效汽 蚀余量 NPSHa m	电机功率 Motor power kW	叶轮参 考直径 D(mm)
	m³/h	l/s							
SBS 800-740E	5400	1500	37.8	725	751	74	7.0	800	790
	9000	2500	27		760	87			
	11000	3056	18.2		681	80			
	5200	1444	34.5		660	74			
	8640	2400	24.3		665	86			
10300	2861	16.5	589	79					
SBS 800-740F	4970	1381	31.6	725	578	74	6.0	630	723
	8280	2300	22.3		584	86			
	9850	2736	14.8		502	79			
	4700	1308	29		501	74			
	7850	2180	20		497	86			
9200	2556	14	444	79					
SBS 800-740E	4360	1211	30.8	725	487	75	7.2	560	720
	7270	2019	22.2		511	86			
	9150	2542	13		432	75			
	4170	1158	28.6		433	75			
	6950	1931	20.6		459	85			
8720	2422	12.5	396	75					
SBS 800-740F	3960	1100	26	725	379	74	7.0	500	690
	6600	1833	18.5		396	84			
	8250	2292	11.4		346	74			
	3760	1044	23.8		334	73			
	6260	1739	16.5		335	84			
7700	2139	10.5	297	74					

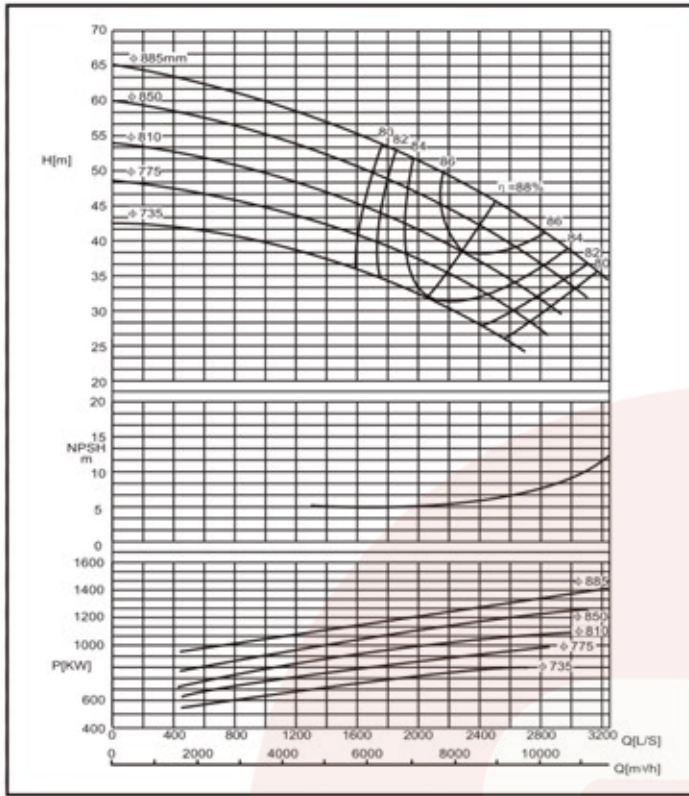
主要外型尺寸 pump outline size

泵型号 type	法兰尺寸 flange size										泵尺寸 pump size							泵重量 W.T kg	
	进口法兰 inlet flange					出口法兰 outlet flange					a1	a2	h1	h2	h3	h4	l1		f
	DN1	S1	K	D	n-φd	DN2	S2	K	D	n-φd									
700-820	800	54	950	1020	24-φ41	700	54	840	910	24-φ41	1250	1250	1200	2050	650	650	1160	1440	6075
800-740	900	54	1050	1120	28-φ41	800	54	950	1020	24-φ41	1400	950	1380	2300	770	770	1180	1410	6557

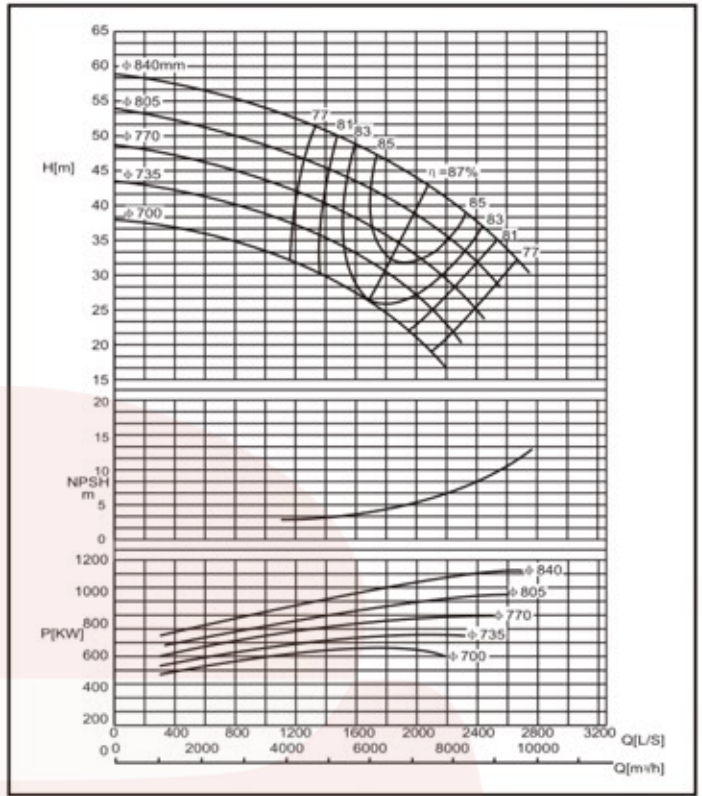
连接尺寸 connection size

泵型号 type	电机 Motor		12	13	14	b1	b2	b3	15	16	17	b4	b5	h5	h6	q	地脚螺栓 anchor		电机最大重量 motor W.T
	型号 Type	功率(kW)															泵 pump	电机 motor	
700-820	Y560-6(6kV)	1600-2000	775	775	350	790	1090	150	2195	1400	1880	1000	1130	560	1160	2715	M42×800	M36×600	5680
	Y500-6(6kV)	1000-1400							2170	1250	1730	900	1010	500	1040	2550			4600
	Y455-6(6kV)	630-900							2010	1120	1620	800	910	450	935	2080			3850
800-740	Y450-8(6kV)	630-800	550	700	400	890	1190	150	1980	1120	1620	800	910	450	935	2080	M42×800	M30×600	3850
	Y400-8(6kV)	400-560							1960	1000	1510	710	810	400	835	1940			2620

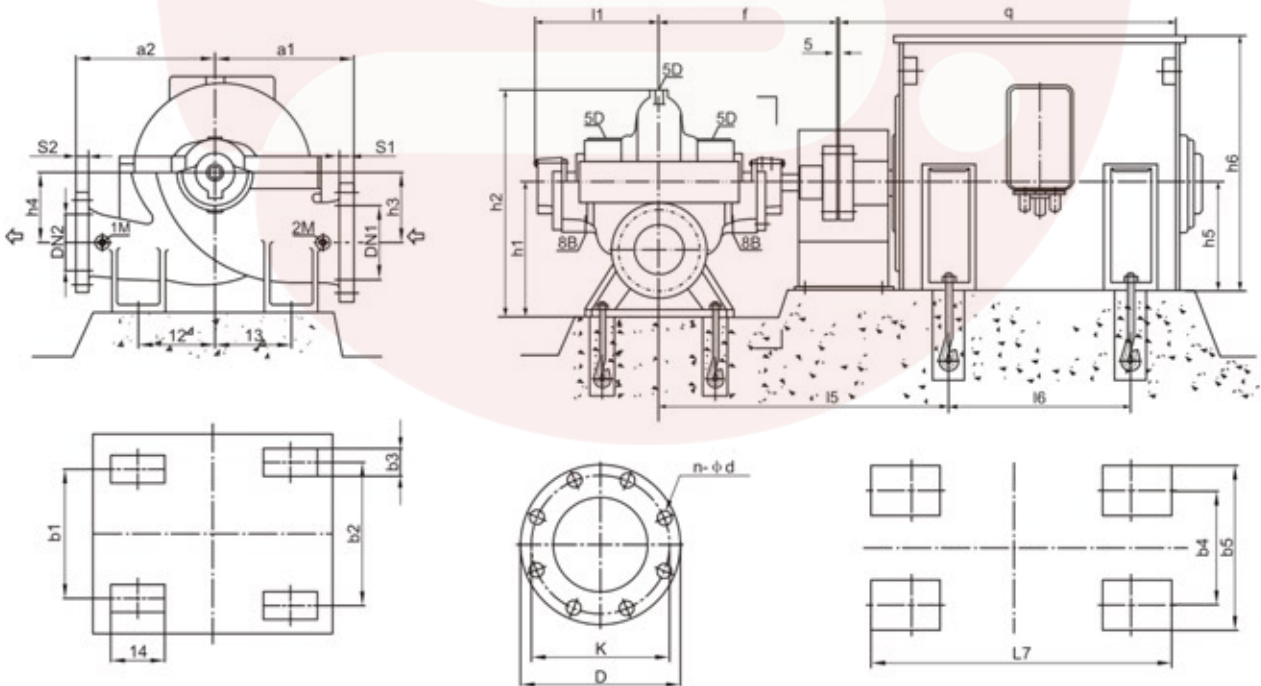
SBS800-840 E特性曲线 n=725r/min



SBS800-840 F特性曲线 n=725r/min



SBS卧式泵安装尺寸图 Installing dimensions of SBS pumps



泵基础

法兰钻孔示意图

电机基础

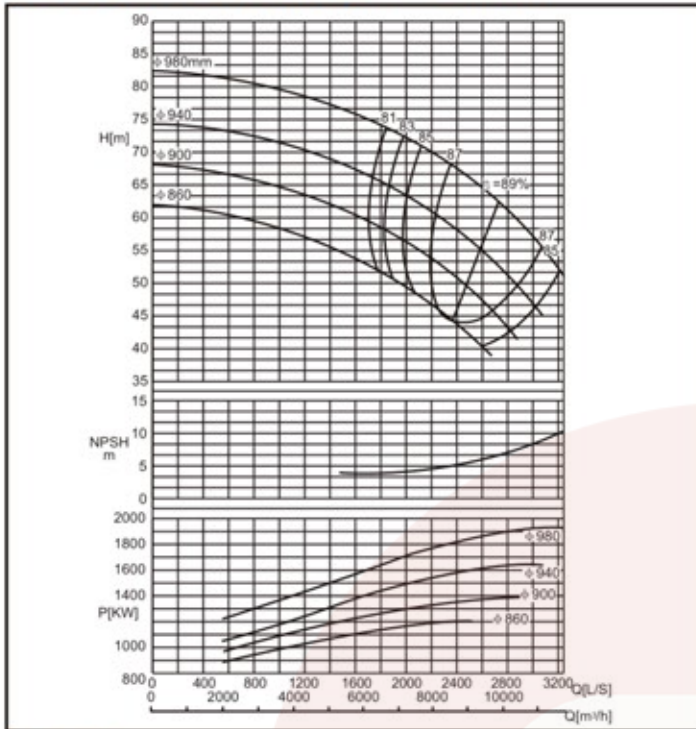
连接尺寸 connection dimensions:

1M、2M 压力表 Rp1/2    1M、2M pressure gauge Rp1/2  
5D 排气孔 Rp1/2        5D air vent Rp1/2

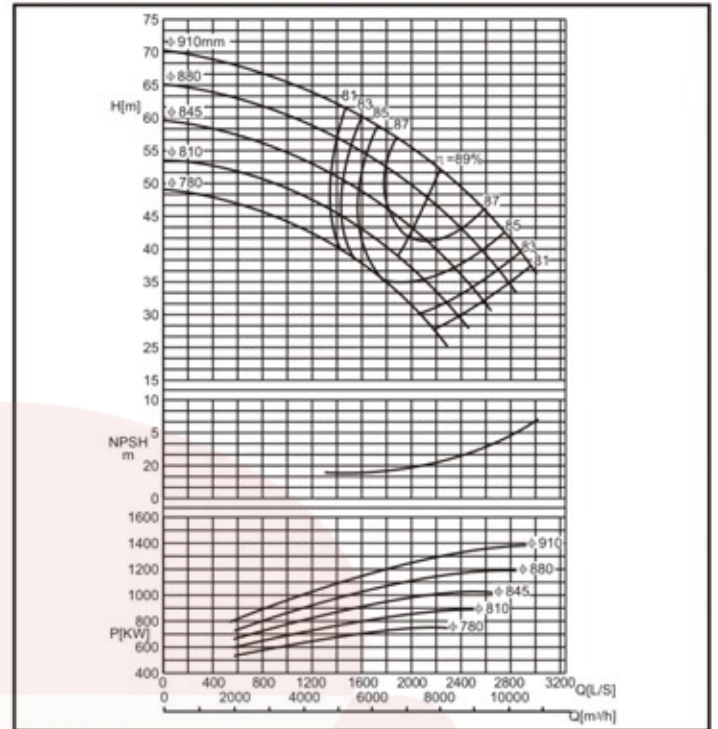
6B 排液孔 Rp3/4        6B drain plug Rp3/4  
8B 漏液排出孔 Rp3/4    8B drain plug Rp3/4



SBS800-970 E特性曲线 n=725r/min



SBS800-970 F特性曲线 n=725r/min



参数表 Standard performance

泵型号 Type	流量 Capacity Q		扬程 Head m	转速 Speed r/min	轴功率 Shaft power kW	效率 eff %	有效汽 蚀余量 NPSHa m	电机功率 Motor power kW	叶轮参 考直径 D(mm)			
	m³/h	l/s										
SBS 800-840E	5400	1500	56.4	725	1063	78	6.3	1400	885			
	9000	2500	46		1291	88						
	11700	3250	34.5		1391	79						
	5200	1444	52.2		947	78				6.0	1250	850
	8650	2403	42.3		1145	87						
	11160	3100	32		1231	79						
	4960	1378	47.5		833	77						
8260	2204	38.5	1007	86								
10600	2944	30	1096	79								
4710	1308	43	725	76	5.3	1000	775					
7850	2181	35.4	880	86								
10200	2833	26.8	954	78								
4470	1242	38.5	625	75				5.0	900	735		
7450	2069	32.2	768	85								
9700	2694	24.3	833	77								
SBS 800-840F	4500	1250	53	725							854	76
	7500	2083	43		1009	87						
	9750	2708	31.3		1093	76						
	4300	1194	47.5		741	75	5.2				1000	805
	7150	1986	39		883	86						
	9180	2550	28		933	75						
	4080	1133	43		637	75		4.5	900	770		
6800	1889	34.8	758	85								
8650	2458	23.8	798	75								
3860	1072	38.5	547	74	4.2	710						
6430	1796	30.7	640	84								
8280	2300	20	601	75								
3630	1008	33.5	453	73			4.0				630	700
6050	1681	26.8	532	83								
7860	2183	16.8	486	74								

参数表 Standard performance

泵型号 Type	流量 Capacity Q		扬程 Head m	转速 Speed r/min	轴功率 Shaft power kW	效率 eff %	有效汽 蚀余量 NPSHa m	电机功率 Motor power kW	叶轮参 考直径 D(mm)			
	m³/h	l/s										
SBS 800-970E	5880	1633	75.5	725	1530	79	7.1	2000	980			
	9800	2722	62.5		1873	89						
	11600	3222	51.2		1902	85						
	5580	1550	67.5		1298	79				6.0	1800	940
	9300	2583	55		1565	89						
	11000	3056	45.2		1611	84						
	5300	1472	61.5		1123	79						
8890	2469	49.5	1361	88								
10400	2889	41.3	1409	83								
5100	1417	55.5	988	78	5.0	1400	860					
8500	2361	44.5	1194	87								
9650	2681	38	1203	83								
SBS 800-970F	4800	1333	63	725				1029	80	6.8	1400	910
	8000	2222	52					1272	89			
	10450	2903	39					1337	83			
	4600	1278	58.3					924	79			
	7650	2125	47.8		1131	88						
	9950	2764	35.3		1166	82						
	4350	1208	53.2		797	79	5.0	1250	845			
7240	2011	43.2	968	88								
9500	1639	30.5	998	79								
4100	1139	48	687	78	4.5	1000				810		
6840	1900	39	835	87								
8820	2450	28	862	78								
3840	1067	44	597	77							4.0	800
6400	1778	35	705	86								
8250	2292	25	729	77								

主要外型尺寸 pump outline size

泵型号 type	法兰尺寸 flange size										泵尺寸 pump size							泵重量 W.T kg	
	进口法兰 inlet flange					出口法兰 outlet flange													
	DN1	S1	K	D	n-φd	DN2	S2	K	D	n-φd	a1	a2	h1	h2	h3	h4	l1		f
800-840	900	54	1050	1120	28-φ41	800	54	950	1020	24-φ41	1400	1125	1360	2260	770	770	1180	1500	6624
800-970	900	54	1050	1120	28-φ41	800	54	950	1020	24-φ41	1400	1300	1370	2220	760	760	1270	1580	7809

连接尺寸 connection size

泵型号 type	电机 Motor		12	13	14	b1	b2	b3	15	16	17	b4	b5	h5	h6	q	地脚螺栓 anchor			电机最大重量 motor W.T	
	型号 Type	功率(kW)															泵 pump		电机 motor		
																			motor		
800-840	Y500-8(6kV)	1000-1400	700	750	400	890	1190	150	2230	1250	1730	900	1010	500	1040	2550	M42×800	M36×600	4600		
	Y450-8(6kV)	630-900																		M30×600	3850
800-970	Y560-8(6kV)	1600-2000	800	800	400	890	1190	150	2335	1400	1880	1000	1130	560	1160	2715	M42×800	M36×600	5680		
	Y500-8(6kV)	1000-1400																		M30×600	3850
	Y450-8(6kV)	800-900																			





## 泵主要外形尺寸 Outline dimensions of SBSL pumps

泵型号 type	法兰尺寸 flange size				泵尺寸 pump size							泵重量W.T	
	DN <sub>1</sub>	DN <sub>2</sub>	S <sub>1</sub>	S <sub>2</sub>	a <sub>1</sub>	a <sub>2</sub>	h <sub>2</sub>	h <sub>3</sub>	h <sub>4</sub>	h <sub>5</sub>	Z	净重N·TN	湿重G·W
80-210	125	80	34.1	28.6	300	300	140	168	320	715	340	185	195
190								195				210	
225								205				225	
80-370					330	330							

泵型号 type	法兰尺寸 flange size				泵尺寸 pump size							泵重量W.T	
	DN <sub>1</sub>	DN <sub>2</sub>	S <sub>1</sub>	S <sub>2</sub>	a <sub>1</sub>	a <sub>2</sub>	h <sub>2</sub>	h <sub>3</sub>	h <sub>4</sub>	h <sub>5</sub>	Z	净重N·TN	湿重G·W
100-250	150	100	36.5	31.8	330	330	170	195	300	715	390	210	230
225								225				250	
260								245				275	
100-375					370	370							

泵型号 type	法兰尺寸 flange size				泵尺寸 pump size							泵重量W.T	
	DN <sub>1</sub>	DN <sub>2</sub>	S <sub>1</sub>	S <sub>2</sub>	a <sub>1</sub>	a <sub>2</sub>	h <sub>2</sub>	h <sub>3</sub>	h <sub>4</sub>	h <sub>5</sub>	Z	净重N·TN	湿重G·W
125-230	200	125	41.3	34.3	370	370	200	210	355	870	420	250	285
230								275				315	
260								300				345	
305								335				380	
125-500					450	450							

泵型号 type	法兰尺寸 flange size				泵尺寸 pump size							泵重量W.T	
	DN <sub>1</sub>	DN <sub>2</sub>	S <sub>1</sub>	S <sub>2</sub>	a <sub>1</sub>	a <sub>2</sub>	h <sub>2</sub>	h <sub>3</sub>	h <sub>4</sub>	h <sub>5</sub>	Z	净重N·TN	湿重G·W
150-290	200	150	41.3	36.5	400	400	200	245	355	870	490	350	400
265								360				420	
305								436				511	
370								400				990	740
150-605					600	600	300	370					

泵型号 type	法兰尺寸 flange size				泵尺寸 pump size							泵重量W.T	
	DN <sub>1</sub>	DN <sub>2</sub>	S <sub>1</sub>	S <sub>2</sub>	a <sub>1</sub>	a <sub>2</sub>	h <sub>2</sub>	h <sub>3</sub>	h <sub>4</sub>	h <sub>5</sub>	Z	净重N·TN	湿重G·W
200-320	250	200	47.6	41.3	450	450	240	285	400	990	570	450	530
310								620				615	
370								740				955	
430								860				1130	
200-670					650	550	350	430					

泵型号 type	法兰尺寸 flange size				泵尺寸 pump size							泵重量W.T	
	DN <sub>1</sub>	DN <sub>2</sub>	S <sub>1</sub>	S <sub>2</sub>	a <sub>1</sub>	a <sub>2</sub>	h <sub>2</sub>	h <sub>3</sub>	h <sub>4</sub>	h <sub>5</sub>	Z	净重N·TN	湿重G·W
250-370	300	250	50.8	47.5	500	500	300	320	440	1095	640	665	790
355								710				975	
415								830				1215	
480								940				1855	
250-710					750	650	400	480	570	1380	940	1580	1855

泵型号 type	法兰尺寸 flange size				泵尺寸 pump size							泵重量W.T	
	DN <sub>1</sub>	DN <sub>2</sub>	S <sub>1</sub>	S <sub>2</sub>	a <sub>1</sub>	a <sub>2</sub>	h <sub>2</sub>	h <sub>3</sub>	h <sub>4</sub>	h <sub>5</sub>	Z	净重N·TN	湿重G·W
300-300	350	300	54	50.8	550	500	300	360	440	1095	720	630	730
300-435	400		57.2		650	550	350	365	500	1230	730	905	1095
300-560			57.2	650	430	570		1380	860	1425	1650		
300-700			750						400	480	570	1380	960

泵型号 type	法兰尺寸 flange size				泵尺寸 pump size							泵重量W.T		
	DN <sub>1</sub>	DN <sub>2</sub>	S <sub>1</sub>	S <sub>2</sub>	a <sub>1</sub>	a <sub>2</sub>	h <sub>2</sub>	h <sub>3</sub>	h <sub>4</sub>	h <sub>5</sub>	Z	净重N·TN	湿重G·W	
350-360	400	350	57.2	54	650	500	350	410	500	1230	820	865	1025	
350-430	450		60.3		650	400	465	570	1380	930	1285	1525		
350-510	400		57.2							700	420	840	1395	1685
350-590	500		63.4							750	465	960	1510	1800

z: 拆卸转子所需最小空间尺寸 z: min. dimension of disinsalling the rotating assembly.

## 电机尺寸-Y型电机 Y-series motors dimersions

泵型号 type	结构型式 structure		电机型号 Motor	h6	h7	m3	m4	m5	m6	n5	n6	电机重量 Motor W • t(kg)
	DD	DS										
80-210	●	—	Min.90L	770	295	640	275	100	380	450	340	28
			Max.200L		740							255
	—	●	Min.225M	830	795	720				710		308
			Max.225M		308							
80-270	●	—	Min.100L	780	320	275	100	380	450	340	29	
			Max.200L		740						255	
	—	●	Min.225M	830	795				720		710	308
			Max.280M		860						1030	620
80-370	●	—	Min.132S	800	395	640	275	100	380	340	72	
			Max.180L								830	660

泵型号 type	结构型式 structure		电机型号 Motor	h6	h7	m3	m4	m5	m6	n5	n6	电机重量 Motor W • t(kg)	
	DD	DS											
100-250	●	—	Min.100L	780	320	695	315	115	420	500	400	39	
			Max.225L		830							795	308
	—	●	Min.250M	860	895					760		810	403
			Max.315S		1220							980	
100-310	●	—	Max.132M	880	435	695	315	115	420	500	400	84	
			Max.225M		830							795	308
	—	●	Min.250M	860	895					760		810	403
			Max.315L		1320							1220	
100-375	●	—	Min.160M	830	495	695	315	115	420	500	400	130	
			Max.225M		860							795	320
	—	●	Min.250M	860	895					760		810	427
			Max.250M		895							760	

泵型号 type	结构型式 structure		电机型号 Motor	h6	h7	m3	m4	m5	m6	n5	n6	电机重量 Motor W • t(kg)					
	DD	DS															
125-230	●	—	Min.132S	955	395	855	360	210	475	600	450	72					
			Max.280M		1030							620					
	—	●	Min.315S	1015	1220					820		860	980				
			Max.315M		1320							1080					
125-290	●	—	Min.132M	955	435	855	360	210	475	600	450	84					
			Max.280M		1030							620					
	—	●	Min.315S	1015	1220					820		860	980				
			Max.315L		1320							1220					
125-365	●	—	Min.160L	985	540	855	360	210	475	600	450	145					
			Max.280S		1015							980	562				
125-500	●	—	Min.200L	985	740					855		360	210	475	700	560	270
			Max.315M		1045												1320

泵型号 type	结构型式 structure		电机型号 Motor	h6	h7	m3	m4	m5	m6	n5	n6	电机重量 Motor W • t(kg)					
	DD	DS															
150-290	●	—	Min.160M	985	495	855	360	210	475	600	450	130					
			Max.225M		1015							795	320				
150-360	●	—	Min.180M	985	620					855		360	210	475	600	450	180
			Max.280S		1015												980
150-460	●	—	Min.200L	1105	740	855	360	210	475		700				560		270
			Max.315L		1165												1320
150-605	●	—	Min.250M	1135	895					1060	460	315	575	900		700	427
			Max.YL3552		2330												
	—	●	Min.YL3553	1205	1710	1340	460	315	575					1300	700		2490
			Max.YL3554														2650



## 电机尺寸-Y型电机 Y-series motors dimensions

泵型号 type	结构型式 structure		电机型号 Motor	c1	h6	h7	m3	m4	m5	m6	n5	n6	电机重量 Motor W • t(kg)
	DD	DS											
200-320	●	—	Min.200L	400	1105	740	1060	460	315	575	700	560	270
			Max.280M	550	1135	1030							667
200-420	●	—	Min.225S	450	1135	770	1060	460	315	575	700	560	284
			Max.315L	660	1165	1320							1240
200-520	●	—	Min.280S	550	1240	980	1120	520	315	635	900	700	562
			Max.YL3552	1150	1310	1710							2330
	—	●	Min.YL3553	1150	1310	1710	1400	520	315	635	1300	700	2490
			Max.YL4002			1850							3000
200-670	●	—	Min.315S	660	1270	1220	1180	560	315	685	900	700	1000
			Max.YL3552	1150	1310	1710							2330
	—	●	Min.YL3553	1150	1310	1710	1460	560	315	685	1300	700	2490
			Max.YL4005			1850							3240

泵型号 type	结构型式 structure		电机型号 Motor	c1	h6	h7	m3	m4	m5	m6	n5	n6	电机重量 Motor W • t(kg)
	DD	DS											
250-370	●	—	Min.280S	550	1240	980	1180	560	315	685	900	700	562
			Max.315L	660	1270	1320							1240
250-480	●	—	Min.280M	550	1375	1030	1180	560	315	685	900	700	667
			Max.YL3552	1150	1445	1710							2330
	—	●	Min.YL3553	1150	1445	1710	1460	560	315	685	1300	700	2490
			Max.YL4001			1850							2960
250-600	●	—	Min.315M	660	1405	1320	1210	590	315	715	900	700	1100
			Max.YL3552	1150	1445	1720							2330
	—	●	Min.YL3553	1150	1445	1710	1490	590	315	715	900	700	2490
			Max.YL4502			2000							3430
250-710	●	—	Min.YL3554	1150	1595	1710	1415	710	400	835	1300	950	2650
			Max.YL4503	1250	1595	2000							3520
	—	●	Min.YL4504	1250	1595	2000	1610	710	400	835	1400	950	4070
			Max.YL5003	1400	1635	2000							1680

泵型号 type	结构型式 structure		电机型号 Motor	c1	h6	h7	m3	m4	m5	m6	n5	n6	电机重量 Motor W • t(kg)
	DD	DS											
300-300	●	—	Min.200L	400	1210	1220	1210	590	315	715	900	700	270
			Max.315S	660	1270	1320							1000
300-435	●	—	Min.280M	550	1375	1030	1250	630	315	755	900	700	667
			Max.YL3552	1150	1445	1710							1530
	—	●	Min.YL3553			1150	1445	1710	1530	630	315	755	
			Max.YL4002	1850	3000								
300-560	●	—	Min.315L	660	1555	1320	1375	670	315	795	1200	950	1240
			Max.YL4503	1250	1595	2000							3520
300-700	●	—	Min.YL3554	1150	1595	1710	1415	710	400	835	1200	950	2650
			Max.YL4503	1250	1595	2000							3520
	—	●	Min.YL4504	1250	1595	2000	1610	710	400	835	1300	950	4070
			Max.YL5003	1400	1635	2100							1680

泵型号 type	结构型式 structure		电机型号 Motor	c1	h6	h7	m3	m4	m5	m6	n5	n6	电机重量 Motor W • t(kg)
	DD	DS											
350-360	●	—	Min.250M	550	1375	895	1250	630	315	755	900	700	427
			Max.315L	660	1405	1320							1220
	—	●	Min.YL3551	1150	1445	1710	1530	630	315	755	1300	700	2280
			Max.YL3551			1710							2280
350-430	●	—	Min.315M	660	1555	1320	1415	710	400	835	1200	950	1100
			Max.YL3552	1150	1595	1710							2330
	—	●	Min.YL3553	1150	1595	1710	1610	710	400	835	1300	950	2490
			Max.YL4003			1850							3060
350-510	●	—	Min.YL3554	1150	1595	1710	1415	710	400	835	1200	950	2650
			Max.YL4503	1250	1595	2000							3520
350-590	—	●	Min.YL4504	1250	1595	2000	1610	710	400	835	1300	950	4070
			Max.YL5003	1400	1635	2100							1680



**SGARIA.**  
*Trustable for life*

/SGARIAGROUP

