



SGARIA.

Trustable for life



WQ SUBMERSIBLE SEWAGE PUMP



COMPANY PROFILE



The Sgaria

In addition to the best products, we work objectively and efficiently, with integrity and a sense of urgency to generate the best services.

Check out some of the pillars of our company:

Customer Focus: Our customers are the reason for our existence. We are committed to meeting your demands on site and time required;

Safety: We are strict in meeting our standards, valuing the safety of our customers and contributors;

Quality Results: We seek to maximize results by valuing quality in every detail of our operation;

Teamwork: Together we achieve our goals, acting in a shared way will more easily achieve achievements and good results, sharing achievements and results.

Certificates

By bringing together technical force with design and experience, Sgaria has all the documentation necessary to deliver a certified quality product.





Sgaria Hong Kong

Address:

10 / F, Pilkem Commercial Center, 8
Pilkem Street, Jordan, Kowloon, Hong Kong
VAT CODE: 2288999



Sgaria EUA

Address:

175 SW 7th Street - Unit#1515
Miami - FL 33130
Phone: +1 786 773 4767
VAT CODE: 83-1661307



Sgaria China

Address:

Business Center in Mirae Asset Tower, 166
LujiAzui Ring Road 20Floor
Phone: +852 (3) 6789958
VAT CODE: 91310115MA1K4CN75C



Sgaria Brasil

Address:

VIÓRIA- ES
e-mail: comercial.ind@sgaria.com
Telefone: +55 27 2142-5884
CNPJ: 28.446.398/0001-03



工作条件

- 介质温度不超过 60℃, 介质重度 < 1.3kg/dm³
- 介质的 PH 值为 4 - 10
- 无内自循环冷却系统的泵, 电机部分露出液面不超过 1/2
- 从电机端向泵端看, 电机为顺时针方向旋转

说明: 当泵输送有腐蚀性的介质时, 请注明详细的使用条件, 以便特殊供货。

Application Conditions

- The highest temperature of liquid can not be over 60℃, density is less than 1.3kg/dm³
- The PH value is between 4 - 10.
- For pumps without self-cooling circulation system, the part of the motor above liquid shall not be over half of the whole body.
- The rotation of the pump is clock-wise when viewed from the motor.
- Note : Detail application conditions shall be noted when pumping corrosive liquids, and we will specially serve for the customers.

型号说明

Type designation

150WQ 100 - 40 - 30		150WQ 100 - 40 - 30	
150 ---	泵排出口直径, (mm)	150 ---	Discharge diameter (mm)
WQ ---	潜水排污泵	WQ ---	Submersible sewage pump
100 ---	设计点流量, m ³ /h	100 ---	Capacity, m ³ /h
40 ---	设计点扬程, m	40 ---	Head, m
30 ---	电机功率, kW	30 ---	Motor power, kW
150GAK		150 GAK	
150 ---	泵排出口直径	150 ---	Discharge diameter, (mm)
GAK ---	自动耦合系统代号	GAK ---	Automatic coupling system

适用范围

WQ系列无堵塞潜水排污泵用于排送所有类型的污水，净化处理和工业排放的废水，特别是含有长纤维和大固体颗粒的未经处理的污水，活性和消化污泥水（包括有腐蚀性介质的场合），如：城市水处理工程，工矿企业，建筑，宾馆，饭店等行业。

Application fields

WQ series non-clogging submersible sewage pump is designed to pumping all sorts of waste water and sewage in municipal engineering, industry, hospital, hotel and commercial building. It is capable of transferring impurity with long fiber and solids.

运行参数

流量 $Q = 7 - 11000 \text{ m}^3/\text{h}$
扬程 $H = 5 - 60 \text{ m}$
电机功率 $N = 0.55 - 315\text{kW}$
出口直径 $DN = 25 - 700\text{mm}$
防护等级 $IP 68$

Characteristic

Capacity $Q = 7 - 11000 \text{ m}^3/\text{h}$
Head $H = 5 - 60 \text{ m}$
Power $N = 0.55 - 315\text{kW}$
Discharge diameter $DN = 25 - 700\text{mm}$
Protection Class $IP 68$





进口高质量机械密封，选用新型耐磨的碳化钨或钛合金材料，保证水泵长期可靠地运行。

High-quality mechanical sealing is made by carbon-tungsten or titanium alloy, making the pump operation a long time and reliability.

一次性润滑的国际著名品牌的精密轴承，高质量，低噪音。

Imported high-quality, once-final lubricating bearing, with high quality and lower noise.



单流道叶轮
single channel impeller



双流道叶轮
double channel impeller

独特设计的单、双流道叶轮，效率高，无堵塞，防缠绕。

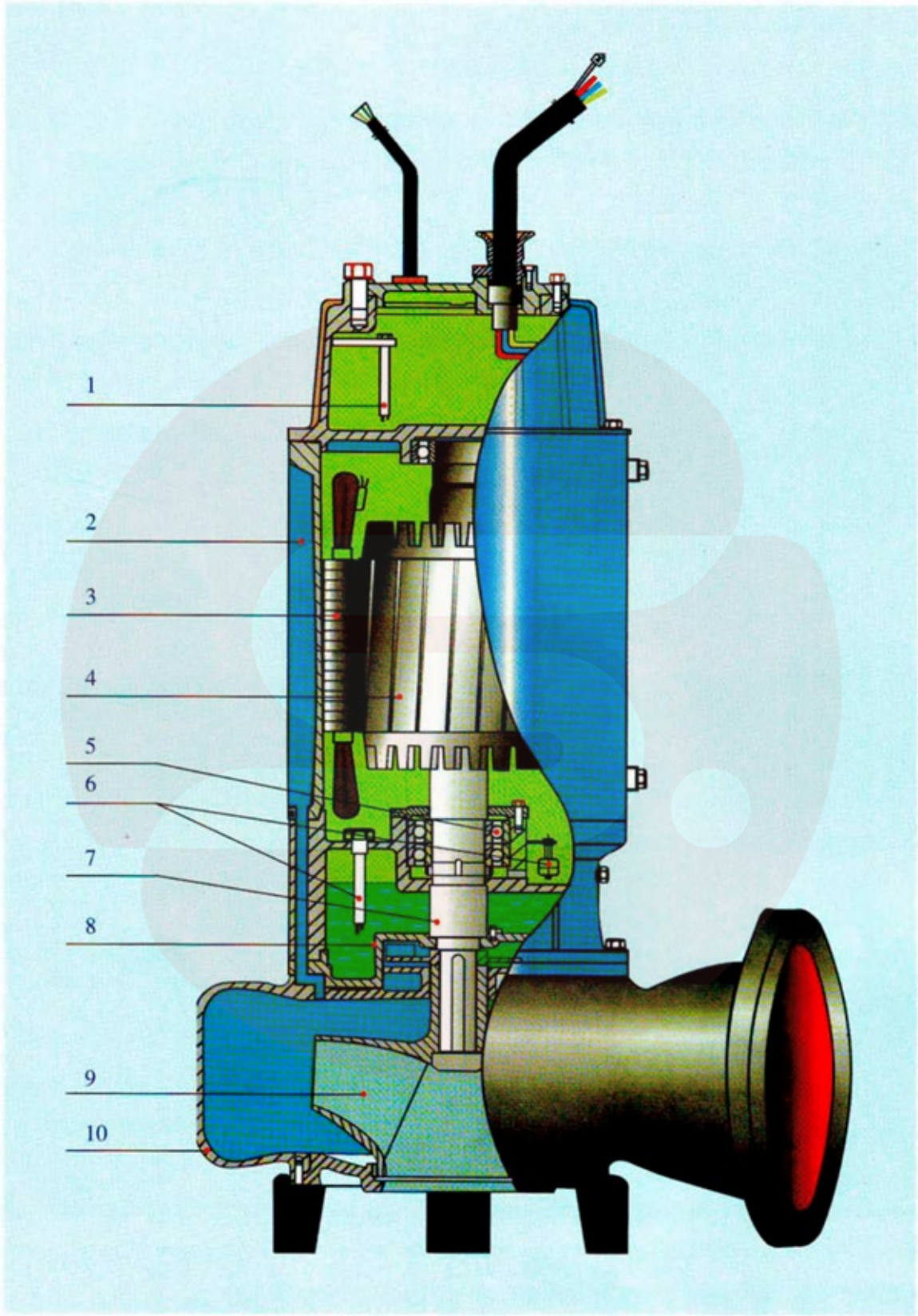
Special designed single channel impeller or double channel impeller, with high efficiency, non-clogging and anti-wrapping.

产品特点

- 过流部件设计独特，产品高效区宽，泵运行范围广，高效节能。
- 通过能力强，独特的单、双流道叶轮，大通道防堵塞设计，使泵能有效地输送含有大固体颗粒及长纤维等的液体。
- 采用双端面机械密封与副叶轮流体动力密封相结合的新型密封技术，密封更可靠，保证泵安全连续运行 8000 小时以上。
- 电机采用自循环冷却系统或隔套式外循环冷却系统，使泵在露出液面或干式安装时能安全运行。
- 控制及保护功能齐全，根据用户需要泵内可配备漏水，漏油，过热，过载，缺相，欠压，漏电，轴承超温等多项报警保护系统和液位自动控制系统，对泵的各种运行状态进行集中控制和有效的保护，保证泵运行的安全性和可靠性。
- 自动耦合安装系统，设计结构先进，安装维护灵活简便，无需建造泵房，减少工程造价。固定式自动耦合安装和移动式自由安装，可满足不同的应用场合。

Product features

- *Unique hydraulic design provides excellent hydraulic abilities, allowing the pump to run with high efficiency and safety in higher capacities application.*
- *Special single - channel or double - channel impeller with non - clogging design increase the capacity of passing sewage liquids with solid and long fiber.*
- *The pump has unique seal design by combining double mechanical seal with hydrodynamic seal, providing the reliability for a long operation life of 8000 hours.*
- *The pump has water circulation cooling system, allowing the pump to run safely above water level or for dry installation.*
- *The pump is equipped with fully automatic alarm protection system and liquid level control system. The systems can check out the leakage of water, oil and electricity, over heating, over loading, lake of phase electricity, low voltage and higher temperature of bearings ,etc, so safety and reliability of the pump have been guaranteed.*
- *The auto-coupled installation system provides an easy way of being installed and maintained, usually no pumping station is needed and saving the construction investment. Two styles of auto-coupled installation system and movable installation system can fulfil different application.*



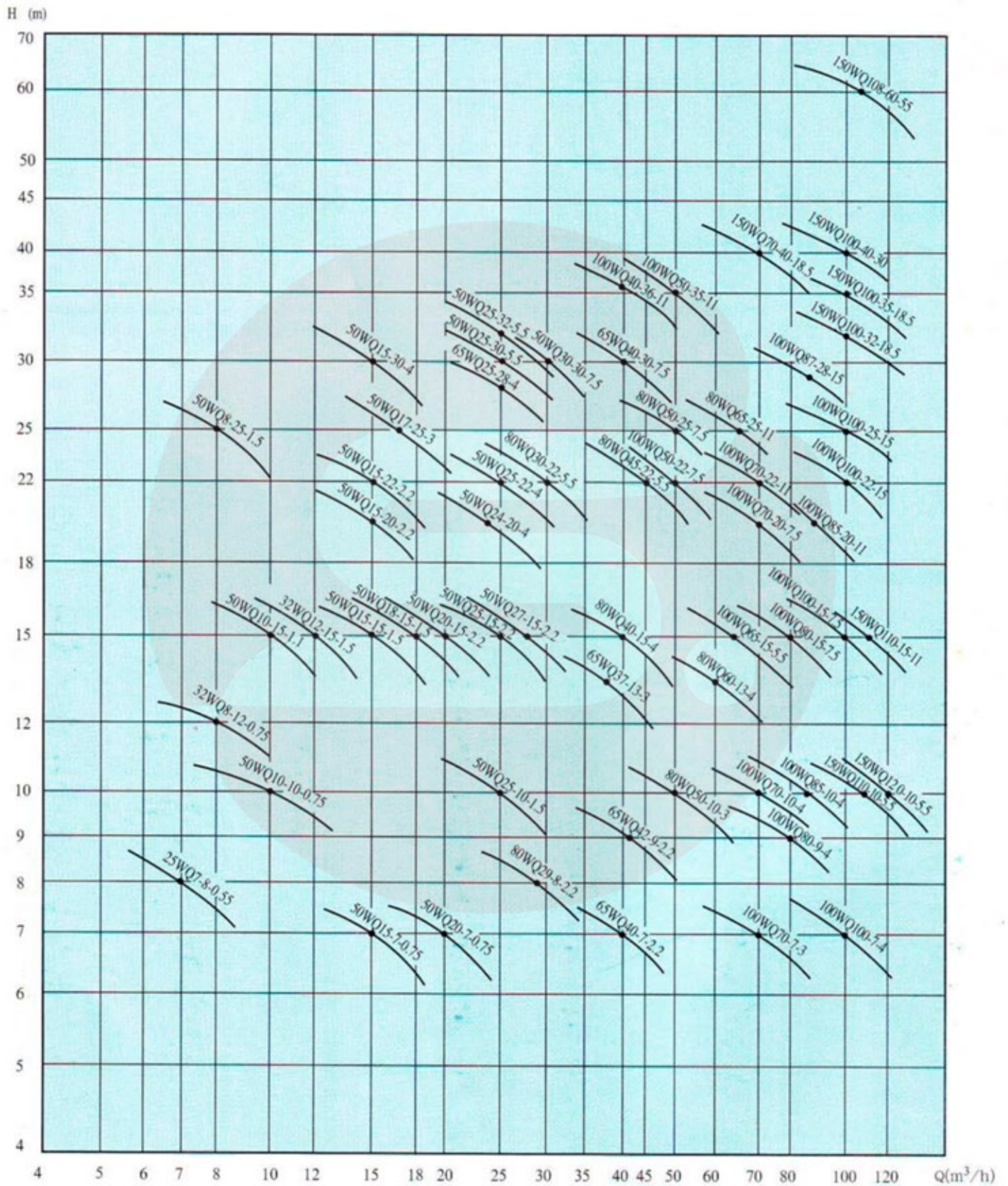
结构说明

- ① 接线腔内的漏水检测探头，可以对接线腔内的泄漏发出报警信号，控制系统对泵实施保护。
- ② 冷却系统：隔套式自循环冷却系统对电机定子进行冷却，改善电机的工作环境。
- ③ 电机定子采用F级绝缘，每相均装有热过载保护元件。
- ④ 电机转子经过严格的动平衡检测，使泵运转更加平稳。
- ⑤ 轴承：选用进口高质量一次性润滑轴承，保证泵长期连续运行。
- ⑥ 渗漏报警器及油水检测探头，二道密封监视，任一道密封泄漏，便可报警。
- ⑦ 密封：双端面机械密封，长期处于油室内运行，有可靠和牢固的密封性，最大程度的克服磨损和振动。
- ⑧ 油室：润滑并冷却密封及轴承，在电机与所抽送液体间起到隔离作用。
- ⑨ 叶轮：采用大流道设计的单、双流道叶轮，抗堵塞，效率高。经过严格的动静平衡检测，提高运行的可靠性，减少振动，降低噪音。
- ⑩ 泵壳：采用优秀水力模型设计，确保泵的高效率和最小磨损及进行无堵塞运行，在入口处配有可更换的密封环。

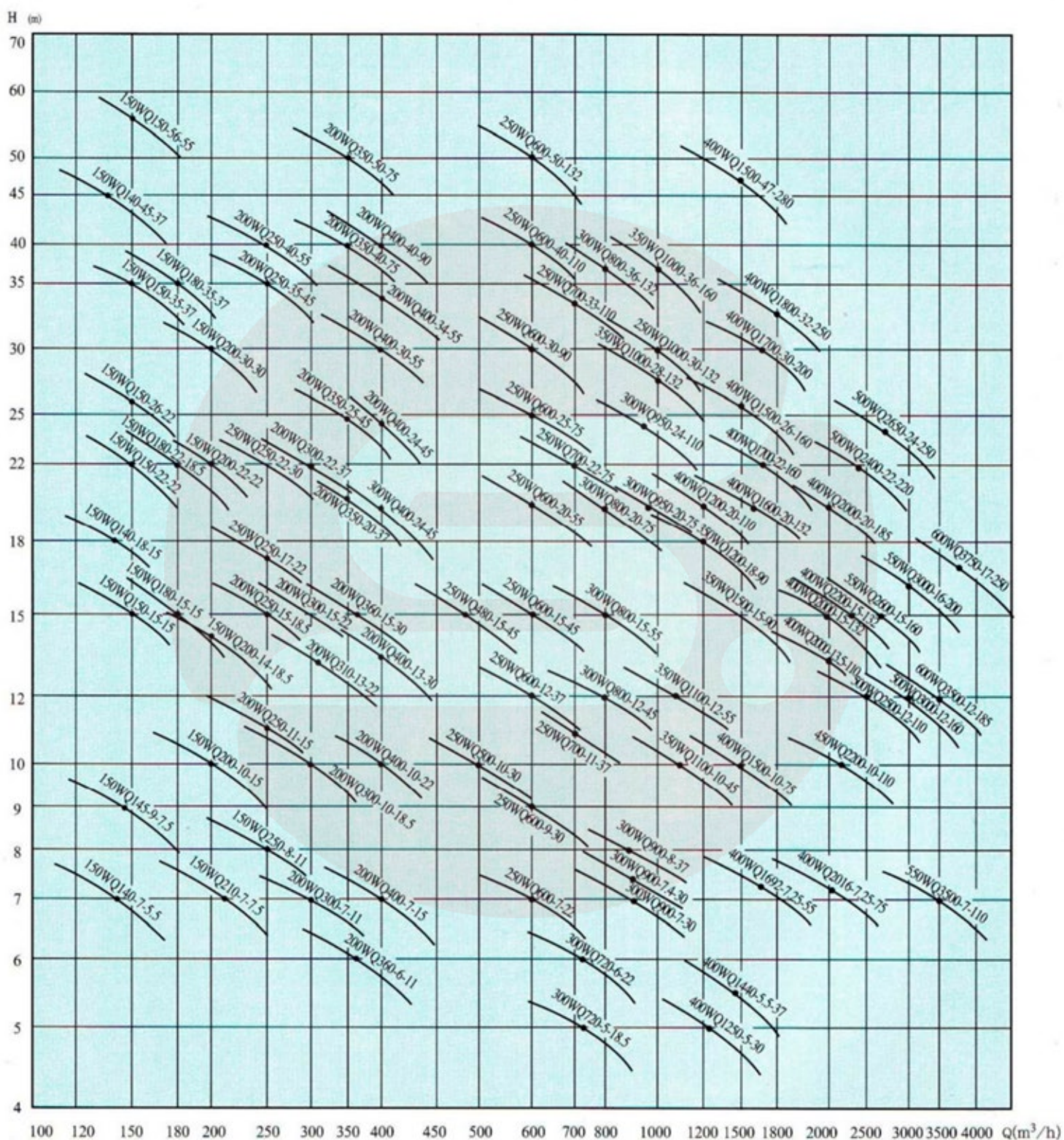
Constructions

- A probe sends out alarm signal in case of cable broken or water leakage. The control system offers pump an automatic protection.
- Cooling system: an internal water circulation cooling system provides superior cooling characteristics allowing the pump to run safely above liquid level or for dry installation.
- Motor windings with class F insulation contain an automatic thermal overload component.
- The rotating components tested strictly by dynamic balancing making the pump run more stability.
- Bearing: high quality once - final lubricating bearing make pump operate without disturbance.
- With two seal monitored system control, the probe sends out a signal whenever a seal ing is damage.
- Mechanical seal: double - facing mechanical seal located in oil chamber has the strongly sealing characteristics, avoiding friction and vibration.
- Oil house : besides lubricating and cooling the sealing and bearings ,the oil can also prevent the leakage of the liquids.
- Impeller: the impeller has big flow channel and balanced strictly , operating with high efficiency and non-clogging, decreasing vibration and noise.
- Casing: designed with excellent hydraulic model, providing high efficiency, the least friction and no block operation.

WQ 型潜水排污泵型谱图 Performance Range of Type WQ Pumps



WQ 型潜水排污泵型谱图 Performance Range of Type WQ Pumps



可根据要求设计提供超出标准性能范围的产品

WQ 型潜水排污泵性能参数表

Table of standard performance Of WQ pumps

序号 No.	泵型号 Type	流量 Capacity (m ³ /h)	扬程 Head (m)	转速 Speed (r/min)	功率 Power (kW)	效率 Eff. (%)	自动耦合器 Automatic- coupling system
1	25WQ7-8-0.55	7	8	2900	0.55	45	GAK-25
2	25WQ8-25-1.5	8	25	2900	1.5	42	GAK-25
3	32WQ8-12-0.75	8	12	2900	0.75	48	GAK-32
4	40WQ12-15-1.5	12	15	2900	1.5	48	GAK-40
5	50WQ10-10-0.75	10	10	2900	0.75	50.5	GAK-50
6	50WQ10-15-1.1	10	15	2900	1.1	48	GAK-50
7	50WQ15-15-1.5	15	15	2900	1.5	51	GAK-50
8	50WQ15-22-2.2	15	22	2900	2.2	56.4	GAK-50
9	50WQ15-20-2.2	15	20	2900	2.2	51	GAK-50
10	50WQ15-30-4	15	30	2900	4	50	GAK-50
11	50WQ17-25-3	17	25	2900	3	53	GAK-50
12	50WQ18-15-1.5	18	15	2900	1.5	61	GAK-50
13	50WQ20-7-0.75	20	7	1450	0.75	61	GAK-50
14	50WQ20-15-2.2	20	15	2900	2.2	60	GAK-50
15	50WQ20-75-15	20	75	2900	15	42.6	GAK-50
16	50WQ24-20-4	24	20	2900	4	61	GAK-50
17	50WQ25-10-1.5	25	10	2900	1.5	62	GAK-50
18	50WQ25-15-2.2	25	15	2900	2.2	52	GAK-50
19	50WQ25-22-4	25	22	2900	4	56.2	GAK-50
20	50WQ25-30-5.5	25	30	2900	5.5	54.2	GAK-50
21	50WQ25-32-5.5	25	32	2900	5.5	49	GAK-50
22	50WQ27-15-2.2	27	15	2900	2.2	63.5	GAK-50
23	50WQ30-30-7.5	30	30	2900	7.5	56	GAK-50
24	50WQ42-9-2.2	42	9	2900	2.2	60	GAK-50
25	65WQ25-28-4	25	28	2900	4	58	GAK-65
26	65WQ37-13-3	37	13	2900	3	65	GAK-65
27	65WQ40-30-7.5	40	30	2900	7.5	65	GAK-65
28	65WQ42-9-2.2	42	9	1450	2.2	66	GAK-65
29	80WQ29-8-2.2	29	8	2900	2.2	45	GAK-80
30	80WQ30-22-5.5	30	22	1440	5.5	48	GAK-80
31	80WQ40-7-2.2	40	7	2900	2.2	50	GAK-80
32	80WQ40-15-4	40	15	1450	4	57	GAK-80
33	80WQ43-13-3	43	13	1450	3	65	GAK-80
34	80WQ45-22-5.5	45	22	1450	5.5	59.4	GAK-80
35	80WQ50-10-3	50	10	1440	3	65	GAK-80
36	80WQ50-25-7.5	50	25	1440	7.5	62	GAK-80
37	80WQ60-13-4	60	13	1450	4	70.5	GAK-80
38	80WQ65-25-11	65	25	2900	11	62.9	GAK-80
39	80WQ80-15-7.5	80	15	1440	7.5	71.5	GAK-80
40	100WQ40-36-11	40	36	1460	11	52	GAK-100
41	100WQ50-22-7.5	50	22	2900	7.5	63	GAK-100
42	100WQ50-35-11	50	35	1460	11	60.1	GAK-100
43	100WQ65-15-5.5	65	15	1440	5.5	70.4	GAK-100
44	100WQ70-7-3	70	7	1450	3	71.4	GAK-100
45	100WQ70-10-4	70	10	1450	4	70.8	GAK-100
46	100WQ70-20-7.5	70	20	1440	7.5	68.3	GAK-100
47	100WQ70-22-11	70	22	1460	11	60.5	GAK-100
48	100WQ80-9-4	80	9	1450	4	62	GAK-100
49	100WQ80-20-7.5	80	20	1450	7.5	71	GAK-100
50	100WQ85-10-4	85	10	1450	4	71	GAK-100

WQ 型潜水排污泵性能参数表

Table of standard performance Of WQ pumps

序号 No.	泵型号 Type	流量 Capacity (m ³ /h)	扬程 Head (m)	转速 Speed (r/min)	功率 Power (kW)	效率 Eff. (%)	自动耦合器 Automatic- coupling system
51	100WQ85-20-11	85	20	1450	11	65	GAK-100
52	100WQ87-28-15	87	28	1460	15	69.1	GAK-100
53	100WQ100-7-4	100	7	1450	4	72.5	GAK-100
54	100WQ100-8-4	100	8	1450	4	72.5	GAK-100
55	100WQ100-15-7.5	100	15	1450	7.5	70	GAK100
56	100WQ100-22-15	100	22	1460	15	70.2	GAK-100
57	100WQ100-25-15	100	25	1460	15	70	GAK-100
58	100WQ100-32-18.5	100	32	1450	18.5	70	GAK-100
59	100WQ100-35-18.5	100	35	1450	18.5	66.5	GAK-100
60	100WQ110-10-5.5	110	10	1440	5.5	67	GAK-100
61	150WQ70-40-18.5	70	40	1450	18.5	58.2	GAK-150
62	150WQ110-15-11	110	15	1450	11	70	GAK-150
63	150WQ100-40-30	100	40	980	30	60.1	GAK-150
64	150WQ108-60-55	108	60	1470	55	52.2	GAK-150
65	150WQ120-10-5.5	120	10	980	5.5	70.2	GAK-150
66	150WQ130-30-22	130	30	970	22	65.8	GAK-150
67	150WQ140-7-5.5	140	7	1450	5.5	75.1	GAK-150
68	150WQ140-18-15	140	18	1460	15	73	GAK-150
69	150WQ140-45-37	140	45	980	37	61.7	GAK-150
70	150WQ145-9-7.5	145	9	980	7.5	68.2	GAK-150
71	150WQ150-15-15	150	15	1450	15	73.4	GAK-150
72	150WQ160-15-15	160	15	1450	15	73.4	GAK-150
73	150WQ150-22-22	150	22	970	22	69	GAK-150
74	150WQ150-26-22	150	26	980	22	72	GAK-150
75	150WQ150-35-37	150	35	1450	37	71	GAK-150
76	150WQ150-56-55	150	56	980	55	69.5	GAK-150
77	150WQ180-15-15	180	15	1450	15	68	GAK-150
78	150WQ180-22-18.5	180	22	1450	18.5	74	GAK-150
79	150WQ180-35-37	180	35	1450	37	71	GAK-150
80	150WQ200-10-15	200	10	1460	15	75	GAK-150
81	150WQ200-14-18.5	200	14	1470	18.5	68.3	GAK-150
82	150WQ200-22-22	200	22	980	22	73.5	GAK-150
83	150WQ200-30-30	200	30	980	30	70	GAK-150
84	150WQ210-7-7.5	210	7	1450	7.5	77	GAK-150
85	150WQ250-8-11	250	8	1450	11	70	GAK-150
86	150WQ250-22-30	250	22	1450	30	73.5	GAK-150
87	200WQ250-11-15	250	11	1450	15	73.5	GAK-200
88	200WQ250-15-18.5	250	15	1450	18.5	77.2	GAK-200
89	200WQ250-35-45	250	35	980	45	71.3	GAK-200
90	200WQ250-40-55	250	40	980	55	70.6	GAK-200
91	200WQ300-7-11	300	7	980	11	75.6	GAK-200
92	200WQ300-10-18.5	300	10	980	18.5	72	GAK-200
93	200WQ300-15-22	300	15	980	22	71	GAK-200
94	200WQ300-22-37	300	22	1470	37	75	GAK-200
95	200WQ310-13-22	310	13	980	22	71	GAK-200
96	200WQ350-20-37	350	20	980	37	75.8	GAK-200
97	200WQ350-25-45	350	25	980	45	73.6	GAK-200
98	200WQ350-40-75	350	40	980	75	74	GAK-200
99	200WQ350-50-75	350	50	980	75	73.6	GAK-200
100	200WQ360-6-11	360	6	1460	11	72.4	GAK-200

WQ 型潜水排污泵性能参数表 *Table of standard performance Of WQ pumps*

序号 No.	泵型号 Type	流量 Capacity (m ³ /h)	扬程 Head (m)	转速 Speed (r/min)	功率 Power (kW)	效率 Eff. (%)	自动耦合器 Automatic- coupling system
101	200WQ360-15-30	360	15	980	30	77.9	GAK-200
102	200WQ400-7-15	400	7	970	15	78	GAK-200
103	200WQ400-10-22	400	10	980	22	77.8	GAK-200
104	200WQ400-13-30	400	13	980	30	76	GAK-200
105	200WQ400-24-45	400	24	980	45	77.5	GAK-200
106	200WQ400-34-55	400	34	980	55	76.2	GAK-200
107	200WQ400-40-90	400	40	1470	90	70.5	GAK-200
108	250WQ250-17-22	250	17	980	22	72	GAK-250
109	250WQ250-22-30	250	22	980	30	70	GAK-250
110	250WQ480-15-45	480	15	980	45	71	GAK-250
111	250WQ500-10-30	500	10	980	30	78.3	GAK-250
112	250WQ600-7-22	600	7	970	22	80.5	GAK-250
113	250WQ600-9-30	600	9	980	30	78.4	GAK-250
114	250WQ600-12-37	600	12	980	37	76	GAK-250
115	250WQ600-15-45	600	15	980	45	80.6	GAK-250
116	250WQ600-20-55	600	20	980	55	80.5	GAK-250
117	250WQ600-25-75	600	25	980	75	80.6	GAK-250
118	250WQ600-30-90	600	30	990	90	78.7	GAK-250
119	250WQ600-40-110	600	40	990	110	78.5	GAK-250
120	250WQ600-50-132	600	50	990	132	74.5	GAK-250
121	250WQ700-11-37	700	11	980	37	81.2	GAK-250
122	250WQ700-22-75	700	22	980	75	79.2	GAK-250
123	250WQ700-33-110	700	33	990	110	79.1	GAK-250
124	250WQ1000-30-132	1000	30	1470	132	81.5	GAK-250
125	300WQ400-20-45	400	20	1450	45	64	GAK300
126	300WQ480-15-45	480	15	1450	45	76	GAK-300
127	300WQ600-20-55	600	20	1450	55	73	GAK-300
128	300WQ720-5-18.5	720	5	980	18.5	74.1	GAK-300
129	300WQ720-6-22	720	6	970	22	74	GAK-300
130	300WQ800-12-45	800	12	980	45	81.5	GAK-300
131	300WQ800-15-55	800	15	980	55	82.8	GAK-300
132	300WQ800-20-75	800	20	980	75	80.5	GAK-300
133	300WQ800-36-132	800	36	990	132	79.8	GAK-300
134	300WQ900-7-30	900	7	980	30	84.5	GAK-300
135	300WQ900-7.4-30	900	7.4	980	30	84.5	GAK-300
136	300WQ900-8-37	900	8	980	37	84.5	GAK-300
137	300WQ950-20-90	950	20	980	90	80.5	GAK-300
138	300WQ950-24-110	950	24	990	110	81.9	GAK-300
139	350WQ1085-28-132	1085	28	980	132	83	GAK-350
140	350WQ1000-36-160	1000	36	745	160	78.7	GAK-350
141	350WQ1100-10-45	1100	10	980	45	82	GAK-350
142	350WQ1100-12-55	1100	12	980	55	82	GAK-350
143	350WQ1200-18-90	1200	18	990	90	82.5	GAK-350
144	350WQ1440-5.5-37	1440	5.5	980	37	82.5	GAK-350
145	350WQ1500-15-90	1500	15	745	90	82.1	GAK-350
146	400WQ1200-20-110	1200	20	980	110	82.6	GAK-400
147	400WQ1250-5-30	1250	5	980	30	82	GAK-400
148	400WQ1500-10-75	1500	10	980	75	82.1	GAK-400
149	400WQ1500-26-160	1500	26	980	160	82.2	GAK-400
150	400WQ1500-30-200	1500	30	980	200	82	GAK-400

WQ 型潜水排污泵性能参数表

Table of standard performance Of WQ pumps

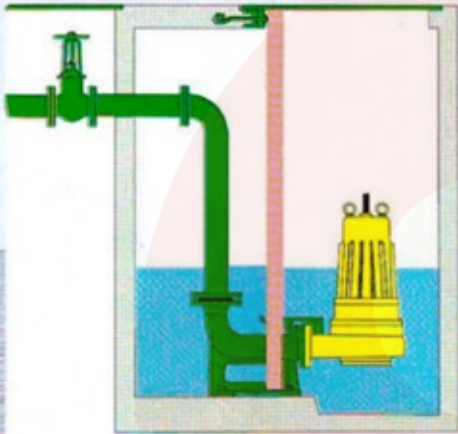
序号 No.	泵型号 Type	流量 Capacity (m ³ /h)	扬程 Head (m)	转速 Speed (r/min)	功率 Power (kW)	效率 Eff. (%)	自动耦合器 Automatic- coupling system
151	400WQ1500-47-280	1500	47	980	280	83.5	GAK-400
152	400WQ1600-22-160	1600	22	980	160	82	GAK-400
153	400WQ1600-20-132	1600	20	980	132	80	GAK-400
154	400WQ1692-7.25-55	1692	7.25	740	55	84.2	GAK-400
155	400WQ1700-22-160	1700	22	980	160	83.4	GAK-400
156	400WQ1700-30-200	1700	30	980	200	83.4	GAK-400
157	400WQ1700-40-315	1700	40	980	315	83	GAK-400
158	400WQ1850-22-185	1850	22	980	185	82	GAK-400
159	400WQ1800-32-250	1800	32	740	250	82.1	GAK-400
160	400WQ2000-6-55	2000	6	980	55	81	GAK-400
161	400WQ2000-10-90	2000	10	980	90	81	GAK-400
162	400WQ2000-13.5-110	2000	13.5	740	110	84.2	GAK-400
163	400WQ2000-15-132	2000	15	740	132	84.3	GAK-400
164	400WQ2200-15-132	2200	15	740	132	85	GAK-400
165	400WQ2000-20-185	2000	20	740	185	84	GAK-400
166	400WQ2000-22-200	2000	22	740	200	82	GAK-400
167	400WQ2000-30-280	2000	30	740	280	82.5	GAK-400
168	400WQ2016-7.25-75	2016	7.25	740	75	76.2	GAK-400
169	400WQ2500-10-110	2500	10	740	110	78	GAK-400
170	400WQ2600-6-75	2600	6	740	75	78	GAK-400
171	450WQ2200-10-110	2200	10	980	110	84.1	GAK-450
172	450WQ2400-30-315	2400	30	740	315	82	GAK-450
173	450WQ2700-15-185	2700	15	740	185	81	GAK-450
174	450WQ2900-22-280	2900	22	740	280	81	GAK-450
175	450WQ3000-15-200	3000	15	740	200	80	GAK-450
176	450WQ3800-6-110	3800	6	740	110	81	GAK-450
177	500WQ2000-20-160	2000	20	980	160	83	GAK500
178	500WQ2400-22-220	2400	22	740	220	84.7	GAK-450
179	500WQ2600-15-160	2600	15	745	160	84.7	GAK-500
180	500WQ2650-24-250	2650	24	740	250	85.1	GAK-500
181	500WQ2800-10-132	2800	10	740	132	83	GAK-500
182	500WQ2800-15-220	2800	15	740	220	83	GAK-500
183	500WQ3200-22-315	3200	22	740	315	82	GAK-500
184	500WQ3600-10-160	3600	10	740	160	83	GAK-500
185	500WQ3800-15-250	3800	15	740	250	83.5	GAK-500
186	550WQ3000-12-160	3000	12	740	160	85.1	GAK-550
187	550WQ3000-16-200	3000	16	740	200	85	GAK-550
188	550WQ3500-7-110	3500	7	745	110	84.7	GAK-550
189	550WQ4200-10-185	4200	10	745	185	82	GAK-550
190	550WQ4200-15-280	4200	15	745	280	82	GAK-550
191	550WQ4500-6-132	4500	6	745	132	83	GAK-550
192	550WQ4500-15-315	4500	15	745	315	83	GAK-550
193	550WQ5000-10-220	5000	10	745	220	84	GAK-550
194	600WQ3500-12-185	3500	12	745	185	85	GAK-600
195	600WQ5500-10-250	5500	10	745	250	83	GAK-600
196	600WQ6000-10-280	6000	10	745	280	84	GAK-600
197	600WQ7000-6-200	7000	6	745	200	83	GAK-600
198	600WQ7000-10-315	7000	10	745	315	82	GAK-600
199	600WQ3750-17-250	3750	17	740	250	85.7	GAK-600
200	650WQ7500-6-220	7500	6	740	220	83	GAK-650
201	700WQ9000-6-250	9000	6	740	250	82	GAK-700
202	700WQ10000-6-280	10000	6	740	280	83	GAK-700
203	700WQ11000-6-315	11000	6	740	315	83	GAK-700

安装方式

WQ 型潜水排污泵，机泵同轴结构紧凑，安装维护方便，适用各种不同应用场合。根据需要，安装方式有固定湿式安装（自动耦合式安装）、固定干式安装和移动式安装。

Types of Installation

Sewage submersible pump use the same shaft for pump and motor with the compact structure and easy installation .It can applied in different conditions. The ways to install are stationary wet installation and removable installation.

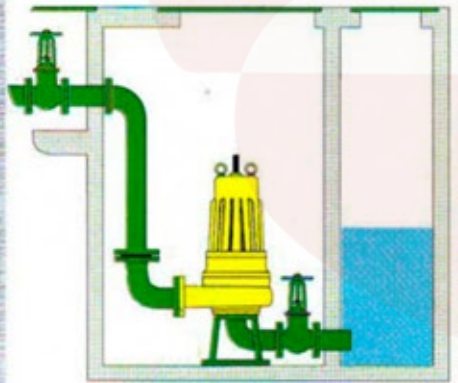


1、固定湿式安装

采用自动耦合系统，泵沿导杆下滑到底座进水口位置，通过泵的自重，自动耦合密封。

Stationary wet installation

Using auto-coupled installation system, the pump slips down the baseplate and connect with the discharge automatically tightly and reliably.

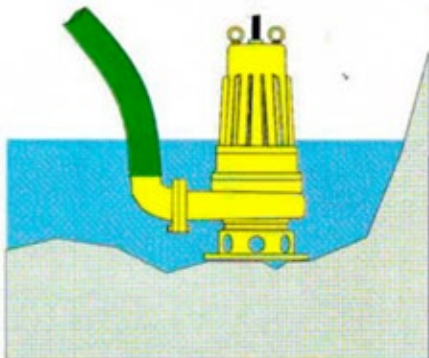


2、固定干式安装

在泵房基础上固定好基础底座，安装水泵，连接好进水管与出水管，即可运行。

Stationary dry installation

Fix the support baseplate on the base of the pump house, install the pump and connect the suction and discharge nozzle, the pump can operation.



3、移动式安装

以支架支撑，将水泵放至需要的工作场所，接上出水软管或硬管即可工作。主要用于救急、维修或施工的需要。

Removable installation

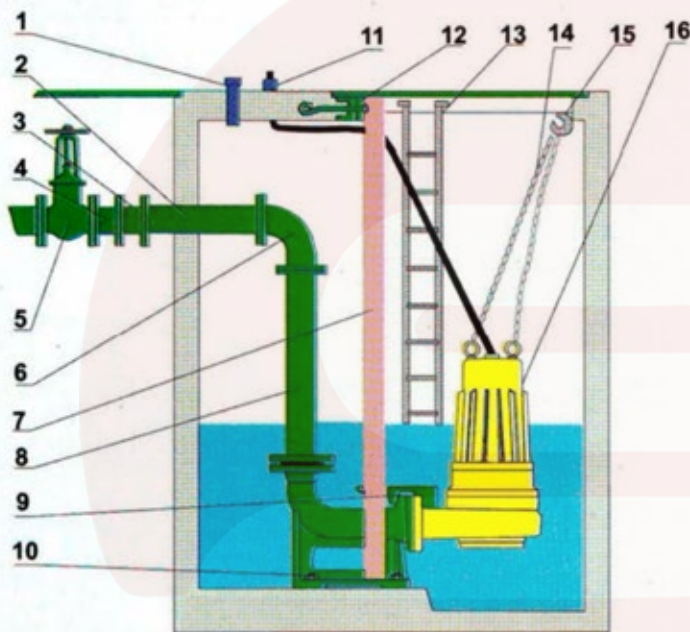
Supported by brackets, the pump can operate after being directly connected with discharge pipeline. It can meet the requirements of emergency, maintenance and construction.

自耦装置

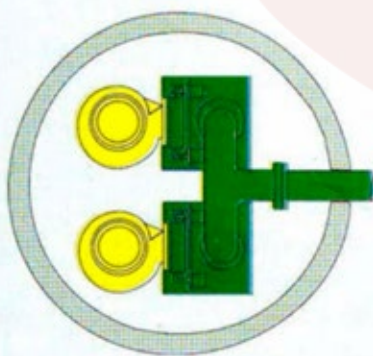
该泵使用特制的底座，固定在污水坑的底部，与出水管连接好。在坑顶安装好定位压板，用导杆使两者相连。泵沿导杆下滑到底部与耦合底座自动耦合密封。提升时，泵与底座自动脱落。安装快捷，检测、维修方便。

Brief instruction for auto-coupled unit

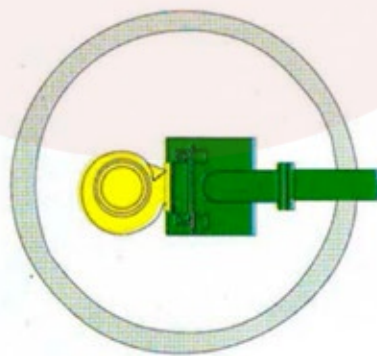
Special baseplate is used and fixed at the bottom of the sewage. It's connected with the discharge nozzle. There is a fixed plate on the top of the pit and connect them with a leader bar. The pump slips down to the baseplate along the leader bar and automatic sealed with the baseplate. When pumping, pump is taking off from the baseplate. The system is convenient for installation, inspection and maintenance.



1	通风节
2	预埋管
3	膨胀节
4	逆止阀
5	闸阀
6	弯管
7	导轨
8	出水管
9	自动耦合器
10	底座
11	电缆出线管
12	支撑架
13	人梯
14	升降链
15	挂钩
16	潜水排污泵



双导轨双泵排水平面图



双导轨单泵排水平面图

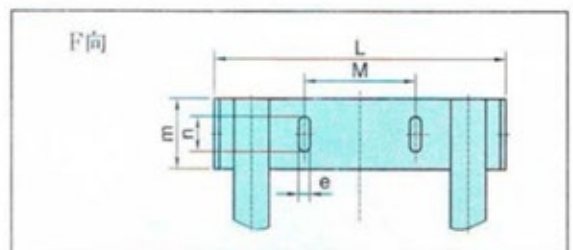
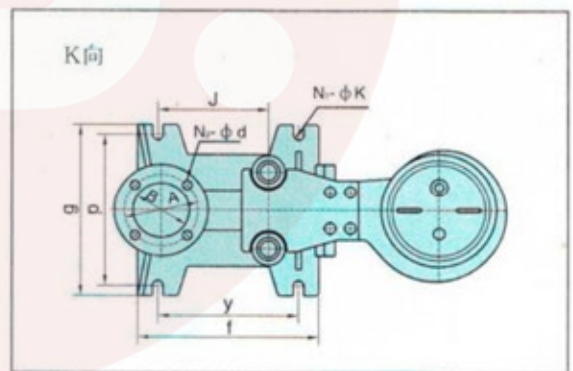
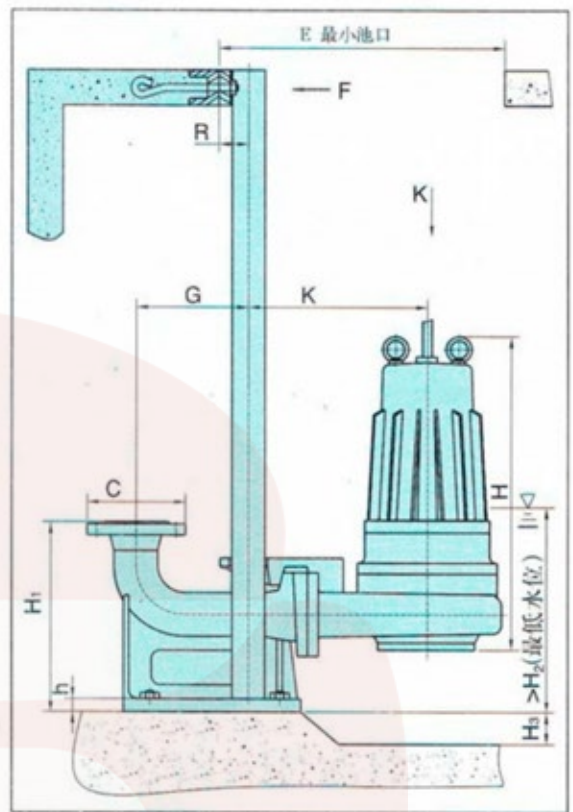
- 订货时，请详细注明泵的型号、安装方式、池深及泵控制方式。

When ordering, please determine pump size, mounting style, sewage height and control style, etc.

WQ 型潜水排污泵自动耦合式安装尺寸表*Installing dimensions of WQ Pumps*

序号	型号 Type	ϕA	ϕB	ϕC	H	K	G	H ₁	H ₂	H ₃	h	N ₁ - ϕK	g	p	f	y	N ₂ - ϕd
1	25WQ7-8-0.55	75	25	100	560	330	100	265	360	200	20	4- $\phi 16$	260	230	310	210	4- $\phi 11$
2	25WQ8-25-1.5	75	25	100	560	330	100	265	360	200	20	4- $\phi 16$	260	230	310	210	4- $\phi 11$
3	32WQ8-12-0.75	90	32	120	550	285	105	270	350	200	20	4- $\phi 16$	260	230	310	210	4- $\phi 14$
4	40WQ12-15-1.5	100	40	130	560	330	100	265	360	200	20	4- $\phi 16$	260	230	310	210	4- $\phi 14$
5	50WQ10-10-0.75	110	50	140	550	285	105	270	350	200	20	4- $\phi 16$	260	230	310	210	4- $\phi 14$
6	50WQ20-7-0.75	110	50	140	550	285	105	270	350	200	20	4- $\phi 16$	260	230	310	210	4- $\phi 14$
7	50WQ10-15-1.1	110	50	140	610	280	108	270	350	200	20	4- $\phi 16$	260	230	310	210	4- $\phi 14$
8	50WQ15-15-1.5	110	50	140	610	285	108	270	380	200	20	4- $\phi 16$	260	230	310	210	4- $\phi 14$
9	50WQ18-15-1.5	110	50	140	610	285	108	270	380	300	25	4- $\phi 16$	260	230	310	210	4- $\phi 14$
10	50WQ25-10-1.5	110	50	140	605	265	108	270	400	300	25	4- $\phi 16$	260	230	310	210	4- $\phi 14$
11	50WQ15-22-2.2	110	50	140	683	285	105	270	400	300	25	4- $\phi 16$	260	230	310	210	4- $\phi 14$
12	50WQ20-15-2.2	110	50	140	600	285	105	270	380	300	25	4- $\phi 16$	260	230	310	210	4- $\phi 14$
13	50WQ27-15-2.2	110	50	140	610	320	120	270	400	300	25	4- $\phi 16$	260	230	310	210	4- $\phi 14$
14	50WQ17-25-3	110	50	140	660	350	105	270	450	300	25	4- $\phi 16$	260	230	310	210	4- $\phi 14$
15	50WQ15-30-4	110	50	140	740	300	105	270	400	300	25	4- $\phi 16$	260	230	310	210	4- $\phi 14$
16	50WQ24-20-4	110	50	140	740	420	108	270	350	300	25	4- $\phi 16$	260	230	310	210	4- $\phi 14$
17	50WQ25-22-4	110	50	140	670	387	108	270	360	300	25	4- $\phi 16$	260	230	310	210	4- $\phi 14$
18	50WQ25-30-5.5	110	50	140	800	355	120	270	500	300	25	4- $\phi 16$	260	230	310	210	4- $\phi 14$
19	50WQ25-32-5.5	110	50	140	800	355	120	270	500	300	25	4- $\phi 16$	260	230	310	210	4- $\phi 14$
20	50WQ30-30-7.5	110	50	140	818	407	108	270	500	300	25	4- $\phi 16$	260	230	310	210	4- $\phi 14$
21	50WQ20-75-15	110	50	140	1043	330	108	270	335	300	25	4- $\phi 16$	260	230	310	210	4- $\phi 14$
22	65WQ42-9-2.2	130	65	160	650	285	108	315	440	300	25	4- $\phi 18$	275	250	310	225	4- $\phi 14$
23	65WQ37-13-3	130	65	160	665	355	120	315	420	300	25	4- $\phi 18$	275	250	310	225	4- $\phi 14$
24	65WQ25-28-4	130	65	160	710	355	120	315	505	300	25	4- $\phi 18$	275	250	310	225	4- $\phi 14$
25	65WQ40-30-7.5	130	65	160	818	407	108	315	420	300	25	4- $\phi 18$	275	250	310	225	4- $\phi 14$
26	80WQ29-8-2.2	150	80	190	640	360	140	350	440	300	25	4- $\phi 18$	290	255	340	260	4- $\phi 18$
27	80WQ43-13-3	150	80	190	680	360	140	350	475	300	25	4- $\phi 18$	290	255	340	260	4- $\phi 18$
28	80WQ50-10-3	150	80	190	684	357	108	350	480	300	25	4- $\phi 18$	290	255	340	260	4- $\phi 18$
29	80WQ40-15-4	150	80	190	740	370	140	350	400	300	25	4- $\phi 18$	290	255	340	260	4- $\phi 18$
30	80WQ60-13-4	150	80	190	770	420	108	350	480	300	25	4- $\phi 18$	290	255	340	260	4- $\phi 18$
31	80WQ30-22-5.5	150	80	190	802	362	128	350	480	300	25	4- $\phi 18$	290	255	340	260	4- $\phi 18$
32	80WQ45-22-5.5	150	80	190	735	387	108	350	480	300	25	4- $\phi 18$	290	255	340	260	4- $\phi 18$
33	80WQ50-25-7.5	150	80	190	810	380	140	350	550	300	25	4- $\phi 18$	290	255	340	260	4- $\phi 18$
34	80WQ80-15-7.5	150	80	190	810	440	185	350	550	300	25	4- $\phi 18$	290	255	340	260	4- $\phi 18$
35	80WQ65-25-11	150	80	190	980	380	140	350	550	300	25	4- $\phi 18$	290	255	340	260	4- $\phi 18$
36	100WQ70-7-3	170	100	210	770	350	128	410	550	300	25	4- $\phi 20$	340	305	410	310	4- $\phi 18$
37	100WQ70-10-4	170	100	210	770	380	128	410	550	300	25	4- $\phi 20$	340	305	410	310	4- $\phi 18$
38	100WQ80-9-4	170	100	210	770	380	128	410	550	300	25	4- $\phi 20$	340	305	410	310	4- $\phi 18$
39	100WQ85-10-4	170	100	210	770	440	182	410	560	300	25	4- $\phi 20$	340	305	410	310	4- $\phi 18$
40	100WQ100-7-4	170	100	210	770	420	128	410	560	300	25	4- $\phi 20$	340	305	410	310	4- $\phi 18$
41	100WQ65-15-5.5	170	100	210	724	437	128	410	480	300	25	4- $\phi 20$	340	305	410	310	4- $\phi 18$
42	100WQ110-10-5.5	170	100	210	850	462	182	410	560	300	25	4- $\phi 20$	340	305	410	310	4- $\phi 18$
43	100WQ70-20-7.5	170	100	210	880	437	128	410	480	300	25	4- $\phi 20$	340	305	410	310	4- $\phi 18$
44	100WQ80-20-7.5	170	100	210	880	437	128	410	480	300	25	4- $\phi 20$	340	305	410	310	4- $\phi 18$
45	100WQ100-15-7.5	170	100	210	855	470	182	410	560	300	25	4- $\phi 20$	340	305	410	310	4- $\phi 18$
46	100WQ40-36-11	170	100	210	980	475	128	410	480	300	25	4- $\phi 20$	340	305	410	310	4- $\phi 18$
47	100WQ50-35-11	170	100	210	960	480	128	410	360	300	25	4- $\phi 20$	340	305	410	310	4- $\phi 18$
48	100WQ70-22-11	170	100	210	937	337	128	410	407	300	25	4- $\phi 20$	340	305	410	310	4- $\phi 18$
49	100WQ85-20-11	170	100	210	937	460	128	410	407	300	25	4- $\phi 20$	340	305	410	310	4- $\phi 18$
50	100WQ87-28-15	170	100	210	980	480	128	410	360	300	25	4- $\phi 20$	340	305	410	310	4- $\phi 18$
51	100WQ100-22-15	170	100	210	1100	460	128	410	360	300	25	4- $\phi 20$	340	305	410	310	4- $\phi 18$
52	100WQ100-25-15	170	100	210	1100	480	128	410	360	300	25	4- $\phi 20$	340	305	410	310	4- $\phi 18$

J	R	L	M	m	n	e	E
175	80	472	407	100	60	16	550x550
175	80	472	407	100	60	16	600x600
175	80	472	407	100	60	16	600x600
175	80	472	407	100	60	16	600x600
175	80	472	407	100	60	16	600x600
175	80	472	407	100	60	16	600x600
175	80	472	407	100	60	16	600x600
175	80	472	407	100	60	18	600x600
175	80	472	407	100	60	18	600x600
200	80	472	407	100	60	18	600x600
175	80	472	407	100	60	18	600x600
175	80	472	407	100	60	18	600x600
120	80	472	407	100	60	18	600x600
175	80	472	407	100	60	18	600x600
200	80	472	407	100	60	18	750x650
200	80	472	407	100	60	18	750x650
200	80	472	407	100	60	18	700x600
200	80	472	407	100	60	18	750x650
200	80	472	407	100	60	18	750x650
200	80	472	407	100	60	18	850x700
200	80	472	407	100	60	18	900x750
200	80	472	407	100	60	18	650x600
120	80	472	407	100	60	18	650x600
200	80	472	407	100	60	18	850x700
200	80	472	407	100	60	18	850x700
210	80	472	407	100	60	18	650x600
210	80	472	407	100	60	18	650x600
200	80	472	407	100	60	18	700x600
200	80	472	407	100	60	18	700x600
200	80	472	407	100	60	18	750x650
233	80	472	407	100	60	18	750x650
200	80	472	407	100	60	18	750x650
200	80	472	407	100	60	18	750x650
200	80	472	407	100	60	18	750x650
233	80	472	407	100	60	18	750x650
233	100	510	440	100	60	20	700x600
233	100	510	440	100	60	20	750x650
233	100	510	440	100	60	20	750x650
233	100	510	440	100	60	20	750x650
233	100	510	440	100	60	20	750x650
233	100	510	440	100	60	20	750x650
250	100	510	440	100	60	20	750x650
233	100	510	440	100	60	20	850x700
233	100	510	440	100	60	20	850x700
250	100	510	440	100	60	20	750x650
233	100	510	440	100	60	20	900x750
233	100	505	440	100	60	20	900x750
233	100	505	440	100	60	20	900x750
233	100	505	440	100	60	20	900x750
233	100	505	440	100	60	20	900x750
233	100	505	440	100	60	20	900x750
233	100	505	440	100	60	20	900x750
233	100	505	440	100	60	20	900x750

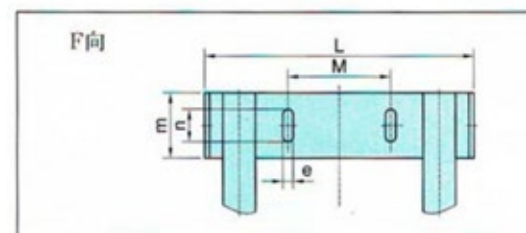
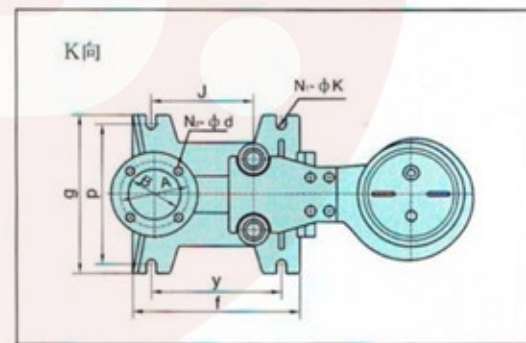
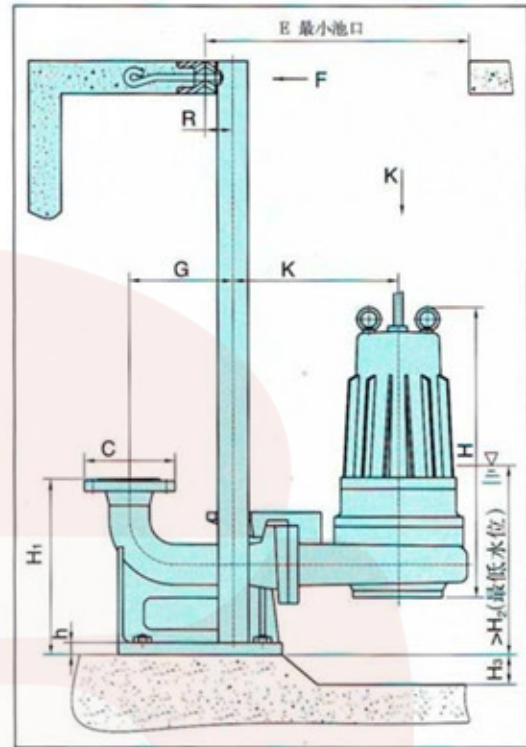


WQ型潜水排污泵自动耦合式安装尺寸表

Installing dimensions of WQ Pumps

序号	型号 Type	φ A	φ B	φ C	H	K	G	H ₁	H ₂	H ₃	h	N ₁ -φK	g	p	f	y	N ₂ -φd
53	100WQ100-32-18.5	170	100	210	1000	525	185	410	385	300	25	4-φ20	340	305	410	310	4-φ18
54	100WQ100-35-18.5	170	100	210	1000	525	185	410	385	300	25	4-φ20	340	305	410	310	4-φ18
55	150WQ120-10-5.5	225	150	265	820	420	128	525	360	300	25	4-φ20	480	440	500	400	8-φ18
56	150WQ140-7-5.5	225	150	265	820	420	128	525	360	300	25	4-φ20	480	440	500	400	8-φ18
57	150WQ145-9-7.5	225	150	265	890	407	128	525	410	300	25	4-φ20	480	440	500	400	8-φ18
58	150WQ210-7-7.5	225	150	265	890	407	128	525	410	300	25	4-φ20	480	440	500	400	8-φ18
59	150WQ100-15-11	225	150	265	980	364	128	525	362	300	25	4-φ20	480	440	500	400	8-φ18
60	150WQ250-8-11	225	150	265	1064	417	213	525	393	400	35	4-φ20	480	440	500	400	8-φ18
61	150WQ140-18-15	225	150	265	980	515	213	525	372	400	35	4-φ20	480	440	500	400	8-φ18
62	150WQ150-15-15	225	150	265	1100	440	213	525	400	400	35	4-φ20	480	440	500	400	8-φ18
63	150WQ160-15-15	225	150	265	1100	440	213	525	400	400	35	4-φ20	480	440	500	400	8-φ18
64	150WQ180-15-15	225	150	265	960	550	270	525	630	400	35	4-φ20	480	440	500	400	8-φ18
65	150WQ200-10-15	225	150	265	1064	417	213	525	393	400	35	4-φ20	480	440	500	400	8-φ18
66	150WQ70-40-18.5	225	150	265	1196	515	213	525	385	400	35	4-φ20	480	440	500	400	8-φ18
67	150WQ180-22-18.5	225	150	265	1020	550	270	525	403	400	35	4-φ20	480	440	500	400	8-φ18
68	150WQ200-14-18.5	225	150	265	1214	595	213	525	480	400	35	4-φ20	480	440	500	400	8-φ18
69	150WQ130-30-22	225	150	265	1516	637	213	525	405	400	35	4-φ20	480	440	500	400	8-φ18
70	150WQ150-22-22	225	150	265	1559	567	213	525	396	400	35	4-φ20	480	440	500	400	8-φ18
71	150WQ150-26-22	225	150	265	1559	567	213	525	396	400	35	4-φ20	480	440	500	400	8-φ18
72	150WQ200-22-22	225	150	265	1170	597	213	525	403	400	35	4-φ20	480	440	500	400	8-φ18
73	150WQ100-40-30	225	150	265	1185	677	213	525	387	400	35	4-φ20	480	440	500	400	8-φ18
74	150WQ200-30-30	225	150	265	1185	605	213	525	400	400	35	4-φ20	480	440	500	400	8-φ18
75	150WQ140-45-37	225	150	265	2029	667	213	525	420	400	35	4-φ20	480	440	500	400	8-φ18
76	150WQ150-35-37	225	150	265	1993	667	213	525	420	400	35	4-φ18	480	440	500	400	8-φ18
77	150WQ180-35-37	225	150	265	1993	667	213	525	420	400	35	4-φ20	480	440	500	400	8-φ18
78	150WQ108-60-55	225	150	265	1993	687	213	525	397	500	35	4-φ20	480	440	500	400	8-φ18
79	150WQ150-56-55	225	150	265	1993	687	213	525	397	500	35	4-φ20	480	440	500	400	8-φ18
80	200WQ300-7-11	295	200	335	1037	443	274	570	420	300	30	4-φ20	550	500	610	470	8-φ18
81	200WQ360-6-11	295	200	335	1037	443	274	570	414	300	30	4-φ20	550	500	610	470	8-φ18
82	200WQ250-11-15	295	200	335	1050	530	274	570	420	400	30	4-φ20	550	500	610	470	8-φ18
83	200WQ400-7-15	295	200	335	1106	543	274	570	465	400	30	4-φ20	550	500	610	470	8-φ18
84	200WQ250-15-18.5	295	200	335	1285	595	274	570	419	400	30	4-φ20	550	500	610	470	8-φ18
85	200WQ300-10-18.5	295	200	335	1616	593	274	570	489	400	30	4-φ20	550	500	610	470	8-φ18
86	200WQ300-15-22	295	200	335	1200	730	274	570	430	400	30	4-φ20	550	500	610	470	8-φ18
87	200WQ310-13-22	295	200	335	1200	730	274	570	430	400	30	4-φ20	550	500	610	470	8-φ18
88	200WQ400-10-22	295	200	335	1240	603	274	570	480	400	30	4-φ20	550	500	610	470	8-φ18
89	200WQ360-15-30	295	200	335	1250	600	274	570	420	400	30	4-φ20	550	500	610	470	8-φ18
90	200WQ400-13-30	295	200	335	1250	600	274	570	420	400	30	4-φ20	550	500	610	470	8-φ18
91	200WQ300-22-37	295	200	335	1350	630	310	570	500	400	30	4-φ20	550	500	610	470	8-φ18
92	200WQ350-20-37	295	200	335	1840	750	274	570	450	400	30	4-φ20	550	500	610	470	8-φ18
93	200WQ250-35-45	295	200	335	1950	780	274	570	650	400	30	4-φ20	550	500	610	470	8-φ18
94	200WQ250-40-55	295	200	335	2087	705	274	570	485	500	30	4-φ20	550	500	610	470	8-φ18
95	200WQ350-25-45	295	200	335	1970	630	310	570	500	400	30	4-φ20	550	500	610	470	8-φ18
96	200WQ400-24-45	295	200	335	1970	653	274	570	500	400	30	4-φ20	550	500	610	470	8-φ18
97	200WQ400-34-55	295	200	335	2072	693	274	570	456	500	30	4-φ20	550	500	610	470	8-φ18
98	200WQ350-40-75	295	200	335	2072	693	274	570	430	500	30	4-φ20	550	500	610	470	8-φ18
99	200WQ350-50-75	295	200	335	2072	783	274	570	430	500	30	4-φ20	550	500	610	470	8-φ18
100	200WQ400-40-90	295	200	335	2120	783	274	570	430	500	30	4-φ20	550	500	610	470	8-φ18
101	200WQ250-22-30	295	200	335	1250	630	310	570	500	400	30	4-φ20	550	500	610	470	8-φ18
102	250WQ250-17-22	335	250	375	1597	677	303	710	595	400	42	4-φ28	600	520	610	480	12-φ18
103	250WQ600-7-22	335	250	375	1640	637	303	710	600	400	42	4-φ28	600	520	610	480	12-φ18
104	250WQ500-10-30	335	250	375	1650	737	303	710	570	500	42	4-φ28	600	520	610	480	12-φ18
105	250WQ600-9-30	335	250	375	1650	800	440	710	510	400	42	4-φ28	600	520	610	480	12-φ18

J	R	L	M	m	n	e	E
250	100	505	440	100	60	20	1000x800
250	100	505	440	100	60	20	1000x800
253	80	505	440	100	60	18	750x650
253	80	505	440	100	60	18	850x700
253	80	505	440	100	60	18	850x700
253	80	505	440	100	60	18	850x700
253	80	505	440	100	60	18	900x750
365	80	505	440	100	60	18	900x800
365	80	505	440	100	60	18	900x800
365	80	505	440	100	60	18	900x800
365	80	505	440	100	60	18	900x800
365	80	505	440	100	60	18	900x800
365	80	505	440	100	60	18	1000x800
365	80	505	440	100	60	18	1150x850
365	80	505	440	100	60	18	1150x850
365	80	505	440	100	60	18	1150x850
365	80	505	440	100	60	18	1150x850
365	80	505	440	100	60	18	1150x850
365	80	505	440	100	60	18	1150x900
365	80	505	440	100	60	18	1150x900
365	80	505	440	100	60	18	1150x900
365	80	505	440	100	60	18	1300x900
360	80	505	440	100	60	18	1300x900
360	80	505	440	100	60	18	1300x900
365	80	505	440	100	60	18	1450x1200
365	80	505	440	100	60	18	1400x1200
454	100	505	440	100	60	18	1000x800
454	100	505	440	100	60	18	900x750
454	100	505	440	100	60	18	1000x800
454	100	505	440	100	60	18	900x800
454	100	505	440	100	60	18	1150x850
454	100	505	440	100	60	18	1150x900
454	100	505	440	100	60	18	1300x900
454	100	505	440	100	60	18	1300x900
454	100	505	440	100	60	18	1300x900
454	100	505	440	100	60	18	1150x900
454	100	505	440	100	60	18	1300x900
325	100	505	440	100	60	18	1300x900
454	100	505	440	100	60	18	1300x900
454	100	505	440	100	60	18	1350x1000
454	100	505	440	100	60	18	1400x1200
325	100	505	440	100	60	18	1350x1000
454	100	505	440	100	60	18	1350x1000
454	100	505	440	100	60	18	1400x1200
454	100	505	440	100	60	18	1400x1200
454	100	505	440	100	60	18	1450x1200
454	100	505	440	100	60	22	1450x1200
325	100	505	440	100	60	22	1400x1000
488	120	700	605	100	60	22	1150x900
488	120	700	605	100	60	18	1200x900
488	120	700	605	100	60	22	1300x1000
435	120	700	605	100	60	22	1300x1000

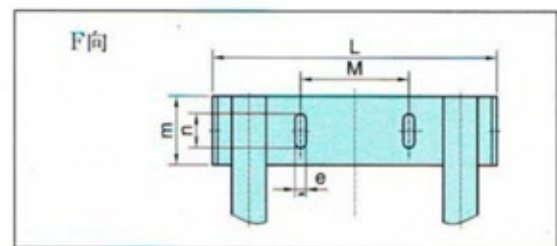
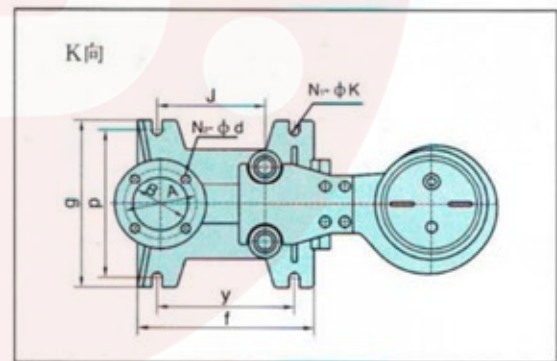
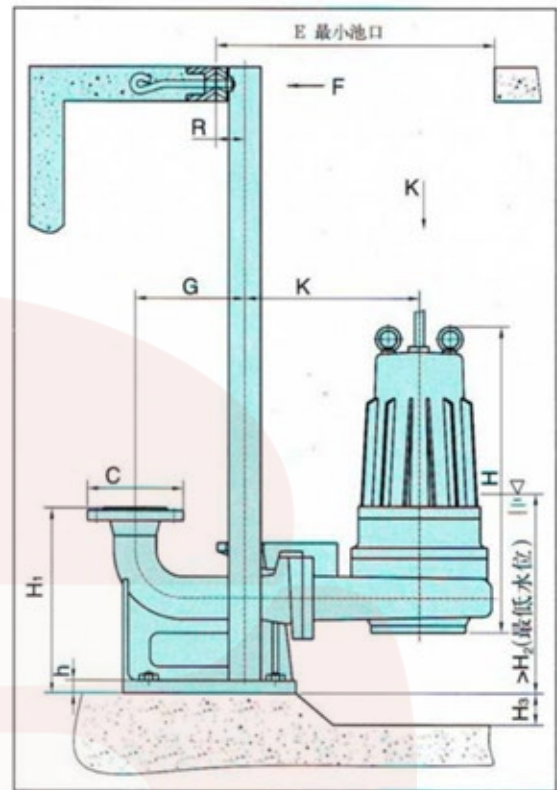


WQ型潜水排污泵自动耦合式安装尺寸表

Installing dimensions of WQ Pumps

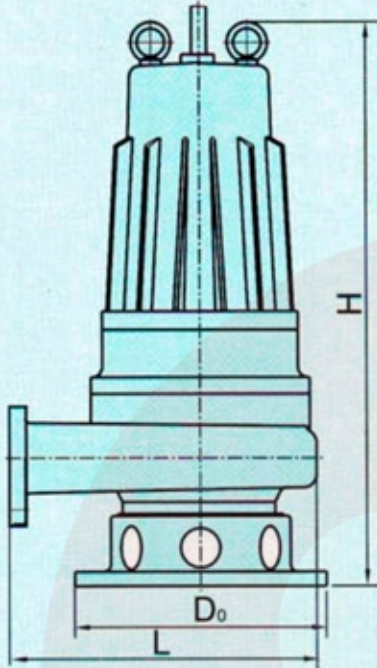
序号	型号 Type	φA	φB	φC	H	K	G	H ₁	H ₂	H ₃	h	N ₁ -φK	g	p	f	y	N ₂ -φd
106	250WQ600-12-37	335	250	375	2053	800	440	710	510	400	42	4-φ28	600	520	610	480	12-φ18
107	250WQ700-11-37	335	250	375	2053	737	303	710	570	500	42	4-φ28	600	520	610	480	12-φ18
108	250WQ480-15-45	335	250	375	2152	727	303	710	620	400	42	4-φ28	600	520	610	480	12-φ18
109	250WQ600-15-45	335	250	375	2152	727	303	710	620	400	42	4-φ28	600	520	610	480	12-φ18
110	250WQ600-20-55	335	250	375	2120	800	303	710	680	500	42	4-φ28	600	520	610	480	12-φ18
111	250WQ600-25-75	335	250	375	2110	797	303	710	574	500	42	4-φ28	600	520	610	480	12-φ18
112	250WQ700-22-75	335	250	375	2110	797	303	710	610	500	42	4-φ28	600	520	610	480	12-φ18
113	250WQ600-30-90	335	250	375	2120	870	303	710	630	500	42	4-φ28	600	520	610	480	12-φ18
114	250WQ600-40-110	335	250	375	2303	977	303	710	575	500	42	4-φ28	600	520	610	480	12-φ18
115	250WQ700-33-110	335	250	375	2320	980	303	710	630	500	42	4-φ28	600	520	610	480	12-φ18
116	250WQ1000-30-132	335	250	375	2500	920	520	710	650	500	42	4-φ28	600	520	610	480	12-φ18
117	250WQ600-50-132	335	250	375	2500	977	303	710	575	600	42	4-φ28	600	520	610	480	12-φ18
118	300WQ720-5-18.5	395	300	440	1602	627	383	765	600	400	45	4-φ28	880	780	870	770	12-φ23
119	300WQ720-6-22	395	300	440	1640	627	383	765	600	400	45	4-φ28	880	780	870	770	12-φ23
120	300WQ900-8-30	395	300	440	1860	760	383	765	660	500	45	4-φ28	880	780	870	770	12-φ23
121	300WQ400-20-45	395	300	440	1700	840	383	765	588	500	45	4-φ28	880	780	870	770	12-φ23
122	300WQ800-12-45	395	300	440	2099	732	383	765	588	500	45	4-φ28	880	780	870	770	12-φ23
123	300WQ800-15-55	395	300	440	2099	732	383	765	588	500	45	4-φ28	880	780	870	770	12-φ23
124	300WQ800-20-75	395	300	440	2110	797	383	765	610	500	45	4-φ28	880	780	870	770	12-φ23
125	300WQ950-20-90	395	300	440	2340	950	383	765	700	500	45	4-φ28	880	780	870	770	12-φ23
126	300WQ950-24-110	395	300	440	2340	950	383	765	700	500	45	4-φ28	880	780	870	770	12-φ23
127	300WQ800-36-132	395	300	440	2314	777	383	765	555	500	45	4-φ28	880	780	870	770	12-φ23
128	350WQ1440-5.5-37	445	350	490	2089	777	383	765	660	500	45	4-φ28	880	780	870	770	12-φ23
129	350WQ1100-10-45	445	350	490	2151	727	383	765	580	400	45	4-φ28	880	780	870	770	12-φ23
130	350WQ1100-12-55	445	350	490	1993	727	383	765	580	400	45	4-φ28	880	780	870	770	12-φ23
131	350WQ1200-18-90	445	350	490	2271	897	383	765	592	500	45	4-φ28	880	780	870	770	12-φ23
132	350WQ1500-15-90	445	350	490	2140	880	383	765	680	500	45	4-φ28	880	780	870	770	12-φ23
133	350WQ1000-28-132	445	350	490	2433	877	383	765	580	600	45	4-φ28	880	780	870	770	12-φ23
134	350WQ1000-36-160	445	350	490	2600	1100	383	765	700	600	45	4-φ28	880	780	870	770	12-φ23
135	400WQ1250-5-30	515	400	565	1305	975	390	800	590	500	50	6-φ40	880	780	950	850	16-φ26
136	400WQ1692-7.25-55	515	400	565	2464	975	390	800	650	500	50	6-φ40	880	780	950	850	16-φ26
137	400WQ1500-10-75	515	400	565	2360	915	390	800	590	500	50	6-φ40	880	780	950	850	16-φ26
138	400WQ2016-7.25-75	515	400	565	2464	975	390	800	650	500	50	6-φ40	880	780	950	850	16-φ26
139	400WQ1200-20-110	515	400	565	2500	930	390	800	650	600	50	6-φ40	880	780	950	850	16-φ26
140	400WQ2000-13.5-110	515	400	565	2500	930	390	800	650	600	50	6-φ40	880	780	950	850	16-φ26
141	400WQ1600-20-132	515	400	565	2600	1180	390	800	620	600	50	6-φ40	880	780	950	850	16-φ26
142	400WQ2000-15-132	515	400	565	2500	930	390	800	650	600	50	6-φ40	880	780	950	850	16-φ26
143	400WQ2200-15-132	515	400	565	2500	930	390	800	650	600	50	6-φ40	880	780	950	850	16-φ26
144	400WQ1500-26-160	515	400	565	2600	1180	390	800	620	600	50	6-φ40	880	780	950	850	16-φ26
145	400WQ1700-22-160	515	400	565	2742	1175	390	800	590	600	50	6-φ40	880	780	950	850	16-φ26
146	400WQ2000-20-185	515	400	565	2742	1175	390	800	590	600	50	6-φ40	880	780	950	850	16-φ26
147	400WQ1700-30-200	515	400	565	3010	1175	390	800	590	600	50	6-φ40	880	780	950	850	16-φ26
148	400WQ1800-32-250	515	400	565	3010	1175	390	800	590	600	50	6-φ40	880	780	950	850	16-φ26
149	400WQ1500-47-280	515	400	565	2923	1050	390	800	1200	600	50	6-φ40	880	780	950	850	16-φ26
150	450WQ2200-10-110	565	450	615	2405	900	700	1350	1033	600	55	6-φ48	1210	1090	1300	1180	20-φ30
151	500WQ2600-15-160	620	500	670	2775	1030	595	1350	1005	600	50	6-φ48	950	830	1260	1140	20-φ26
152	500WQ2400-22-220	620	500	670	3010	1280	595	1350	950	600	50	6-φ48	950	830	1260	1140	20-φ26
153	500WQ2650-24-250	620	500	670	2880	1260	595	1350	1120	600	50	6-φ48	950	830	1260	1140	20-φ26
154	550WQ3500-7-110	675	550	730	2696	1188	665	1200	1065	600	55	6-φ48	1210	1090	1300	1180	20-φ30
155	550WQ3000-12-160	675	550	730	2674	1108	665	1200	942	600	55	6-φ48	1210	1090	1300	1180	20-φ30
156	550WQ3000-16-200	675	550	730	2680	1230	665	1200	1120	600	55	6-φ48	1210	1090	1300	1180	20-φ30
157	600WQ3500-12-185	725	600	780	3025	1140	635	1400	1040	600	55	6-φ48	1210	1090	1300	1180	20-φ30
158	600WQ3750-17-250	725	600	780	2900	1280	635	1400	1150	600	55	6-φ48	1210	1090	1300	1180	20-φ30

J	R	L	M	m	n	e	E
435	120	700	605	100	60	22	1300x1000
488	120	700	605	100	60	22	1300x1000
488	120	700	605	100	60	22	1350x1000
488	120	700	605	100	60	22	1350x1000
488	120	700	605	100	60	22	1400x1200
488	120	700	605	100	60	22	1400x1200
488	120	700	605	100	60	22	1450x1200
488	120	700	605	100	60	22	1450x1200
488	120	700	605	100	60	22	1750x1350
488	120	700	605	100	60	22	1600x1300
488	120	700	605	100	60	22	1600x1300
488	120	700	605	100	60	22	1750x1350
633	120	700	605	100	60	28	1150x850
633	120	700	605	100	60	28	1200x900
633	120	700	605	100	60	28	1300x1000
633	120	700	605	100	60	28	1400x1200
633	120	700	605	100	60	28	1400x1200
633	120	700	605	100	60	28	1400x1200
633	120	700	605	100	60	28	1450x1200
633	120	700	605	100	60	28	1650x1300
633	120	700	605	100	60	28	1350x1300
633	120	700	605	100	60	28	1600x1300
633	120	880	800	100	60	28	1300x1000
633	120	880	800	100	60	28	1350x1000
633	120	880	800	100	60	28	1450x1200
633	120	880	800	100	60	28	1450x1200
633	120	880	800	100	60	28	1800x1400
633	120	880	880	100	60	28	1900x1500
630	120	630	542	150	90	27	1400 x1200
630	120	630	542	150	90	27	1450x1200
630	120	630	542	150	90	27	1450x1200
630	120	630	542	150	90	27	1450x1200
630	120	630	542	150	90	27	1750x1350
630	120	630	542	150	90	27	1750x1350
630	120	630	542	150	90	27	1900x1500
630	120	630	542	150	90	27	1750x1350
630	120	630	542	150	90	27	1300x1500
630	120	630	542	150	90	27	1900x1500
630	120	630	542	150	90	27	1900x1500
630	120	630	542	150	90	27	1900x1500
630	120	630	542	150	90	27	1850x1600
630	120	630	542	150	90	27	2100x1700
630	120	630	542	150	90	27	2450x2200
955	120	798	710	150	90	27	1800x1550
895	120	798	710	150	90	27	1950x1600
895	120	798	710	150	90	27	2100x1750
895	120	798	710	150	90	27	2100x1750
955	120	798	710	150	90	27	1800x1550
955	120	798	710	150	90	27	1800x1550
955	120	798	710	150	90	27	2100x1700
955	120	888	800	150	90	27	2000x1600
955	120	888	800	150	90	27	2100x1800

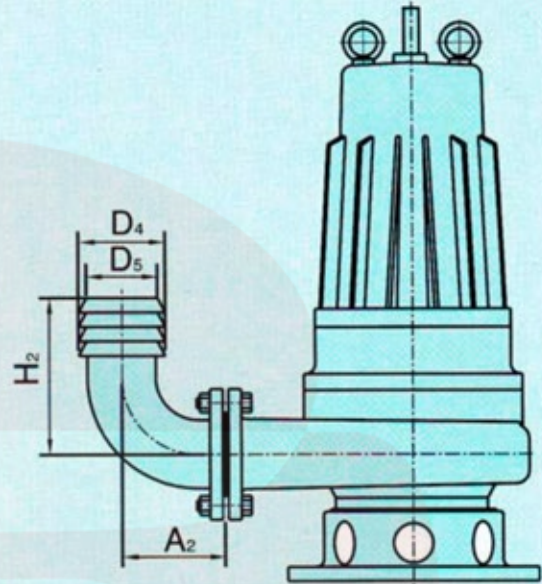


WQ 型潜水排污泵移动式安装尺寸图 *Removable Installing dimensions of WQ Pumps*

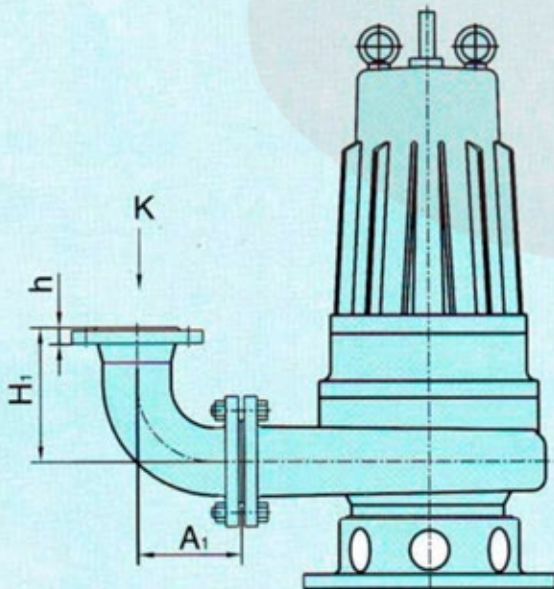
泵外形尺寸图
Outline dimensions



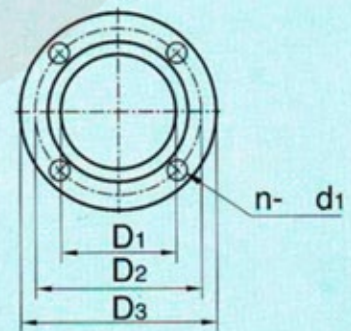
软管联接安装尺寸图
Soft connection dimensions



硬管联接安装尺寸图
Hard connection dimensions



K 向



WQ 型潜水排污泵移动式安装尺寸图 *Removable Installing dimensions of WQ Pumps*

序号 NO.	型号 Type	外形尺寸 Outline dimensions			硬管联接尺寸 Hard connection dimensions							软管联接尺寸 Soft connection dimensions			
		D ₀	L	H	D ₁	D ₂	D ₃	n-φd ₁	A ₁	H ₁	h	D ₄	D ₅	A ₂	H ₂
1	25WQ7-8-0.55	210	290	560	25	75	100	4-φ11	50	75	14	30	26	50	80
2	25WQ8-25-1.5	210	290	560	25	75	100	4-φ11	50	75	14	30	26	50	80
3	32WQ8-12-0.75	210	290	560	32	90	120	4-φ13.5	60	85	14	36	32	60	90
4	40WQ12-15-1.5	210	360	560	40	100	130	4-φ13.5	60	85	14	36	32	60	90
5	50WQ10-10-0.75	240	340	550	50	110	140	4-φ13.5	70	100	16	58	54	70	105
6	50WQ20-7-0.75	240	340	550	50	110	140	4-φ13.5	70	100	16	58	54	70	105
7	50WQ10-15-1.1	240	360	580	50	110	140	4-φ13.5	70	100	16	58	54	70	105
8	50WQ18-15-1.5	240	400	610	50	110	140	4-φ13.5	70	100	16	58	54	70	105
9	50WQ25-10-1.5	240	345	605	50	110	140	4-φ13.5	70	100	16	58	54	70	105
10	50WQ15-22-2.2	240	398	683	50	110	140	4-φ13.5	70	100	16	58	54	70	105
11	50WQ20-15-2.2	240	345	600	50	110	140	4-φ13.5	70	100	16	58	54	70	105
12	50WQ25-15-2.2	240	400	680	50	110	140	4-φ13.5	70	100	16	58	54	70	105
13	50WQ27-15-2.2	240	400	680	50	110	140	4-φ13.5	70	100	16	58	54	70	105
14	50WQ15-30-4	260	400	650	50	110	140	4-φ13.5	70	100	16	58	54	70	105
15	50W24-20-4	380	700	740	50	110	140	4-φ13.5	70	100	16	58	54	70	105
16	50WQ25-22-4	380	700	670	50	110	140	4-φ13.5	70	100	16	58	54	70	105
17	50WQ25-30-5.5	400	660	800	50	110	140	4-φ13.5	70	100	16	58	54	70	105
18	50WQ25-32-5.5	400	660	800	50	110	140	4-φ13.5	70	100	16	58	54	70	105
19	50WQ30-30-7.5	420	840	870	50	110	140	4-φ13.5	70	100	16	58	54	70	105
20	65WQ42-9-2.2	240	400	710	65	130	160	4-φ13.5	80	110	16	70	66	80	115
21	65WQ37-13-3	260	410	730	65	130	160	4-φ13.5	80	110	16	70	66	80	115
22	65WQ40-30-7.5	420	820	870	65	130	160	4-φ13.5	80	110	16	70	66	80	115
23	80WQ43-13-3	340	573	886	80	150	190	4-φ17.5	85	120	18	86	82	85	120
24	80WQ50-10-3	340	573	886	80	150	190	4-φ17.5	85	120	18	86	82	85	120
25	80WQ40-15-4	360	690	750	80	150	190	4-φ17.5	85	120	18	86	82	85	120
26	80WQ60-13-4	360	690	750	80	150	190	4-φ17.5	85	120	18	86	82	85	120
27	80WQ30-22-5.5	380	649	802	80	150	190	4-φ17.5	85	120	18	86	82	85	120
28	80WQ45-22-5.5	380	650	735	80	150	190	4-φ17.5	85	120	18	86	82	85	120
29	80WQ50-25-7.5	420	650	870	80	150	190	4-φ17.5	85	120	18	86	82	85	120
30	80WQ80-15-7.5	400	650	900	80	150	190	4-φ17.5	85	120	18	86	82	85	120
31	100WQ70-10-4	360	664	760	100	170	210	4-φ17.5	105	135	18	104	100	150	180
32	100WQ80-9-4	360	664	760	100	170	210	4-φ17.5	105	135	18	104	100	150	180
33	100WQ85-10-4	360	620	800	100	170	210	4-φ17.5	105	135	18	104	100	150	180
34	100WQ100-7-4	360	650	770	100	170	210	4-φ17.5	105	135	18	104	100	150	180
35	100WQ70-7-3	340	570	860	100	170	210	4-φ17.5	105	135	18	104	100	150	180
36	100WQ65-15-5.5	380	650	810	100	170	210	4-φ17.5	105	135	18	104	100	150	180
37	100WQ70-20-7.5	400	830	880	100	170	210	4-φ17.5	105	135	18	104	100	150	180
38	100WQ80-20-7.5	400	830	880	100	170	210	4-φ17.5	105	135	18	104	100	150	180
39	100WQ110-10-5.5	420	680	850	100	170	210	4-φ17.5	105	135	18	104	100	150	180
40	150WQ120-10-5.5	380	640	820	150	225	265	8-φ17.5	160	200	20	154	150	197	260
41	150WQ140-7-5.5	380	650	830	150	225	265	8-φ17.5	160	200	20	154	150	197	260
42	150WQ145-9-7.5	380	804	890	150	225	265	8-φ17.5	160	200	20	154	150	197	260
43	150WQ210-7-7.5	380	810	910	150	225	265	8-φ17.5	160	200	20	154	150	197	260



SGARIA.
Trustable for life

/SGARIAGROUP

